

Product Survey

REMARKS:

Each year 4 Product Surveys are published. From Product Survey 2001-1 onwards the contents of the second, the third and the fourth issue is an updating of the previous one; so e.g. Product Survey 2001-2 replaces 2001-1, Product Survey 2001-3 replaces Product Survey's 2001-1 and 2001-2 and the yearbook Product Survey 2001-4 replaces the Product Survey's 2001-1, 2001-2 and 2001-3.

CONTENTS

PAGE

Publication survey	PS01-4 2
Remote control survey	PS01-4 5
Tuner survey	PS01-4 5
CRT survey	PS01-4 5
Software survey	PS01-4 7
Model number survey	PS01-4 23
Stylings with parts list	PS01-4 37

Copyright 2001 Philips Consumer Electronics Eindhoven, The Netherlands. All rights reserved. No part of this publication may be reproduced, stored in a retrieval system or transmitted, in any form or by any means, electronic, mechanical, photocopying, or otherwise without the prior permission of Philips.

Safety regulations require that the set be restored to its original condition and that parts which are identical with those specified be used.

Les normes de sécurité exigent que l'appareil soit remis à l'état d'origine et que soient utilisées les pièces de rechange identiques à celles spécifiées.



Publication survey

SERVICE MANUAL	LANGUAGE	CODE NUMBER
SM A10A	GB	3122 785 10581
SM A10A AA Supplement (DVD)	GB	3122 785 10990

SERVICE INFORMATION	LANGUAGE	CODE NUMBER
SI A10A AA 00.01	GB	3122 785 40250

SERVICE MANUAL	LANGUAGE	CODE NUMBER
SM A10E AA	GB	3122 785 10430
SM A10E AA	NL	3122 785 10440
SM A10E AA	D	3122 785 10450
SM A10E AA	F	3122 785 10460
SM A10E AA	I	3122 785 10470
SM A10E AA	E	3122 785 10480
SM A10E AA Supplement	GB	3122 785 10980

SERVICE MANUAL	LANGUAGE	CODE NUMBER
SM A10E AA Supplement (DVD)	GB	3122 785 11030
SM A10E AA Supplement (DVD)	D	3122 785 11040
SM A10E AA Supplement (DVD)	F	3122 785 11050
SM A10E AA Supplement (DVD)	I	3122 785 11060
SM A10E AA Supplement (DVD)	E	3122 785 11070

SERVICE INFORMATION	LANGUAGE	CODE NUMBER
SI A10E AA 01.01	GB	3122 785 40260
SI A10E AA 01.01	D	3122 785 40340
SI A10E AA 01.01	F	3122 785 40350
SI A10E AA 01.01	I	3122 785 40360
SI A10E AA 01.01	E	3122 785 40370

SERVICE INFORMATION	LANGUAGE	CODE NUMBER
SI A10E DVD-DPL AA 01.01	All	3122 785 40390

SERVICE MANUAL	LANGUAGE	CODE NUMBER
SM A10L AA Supplement (DVD)	GB	3122 785 11520

SERVICE MANUAL	LANGUAGE	CODE NUMBER
SM A10PTV2.0 AA PAL (AP version)	GB	3122 785 10970
SM A10PTV2.0 AA NTSC (AP version)	GB	3122 785 11240

SERVICE MANUAL	LANGUAGE	CODE NUMBER
SM A10PTV2.0 AA (China version)	GB	3122 785 11000

SERVICE MANUAL	LANGUAGE	CODE NUMBER
SM A10PTV2.0 AA NTSC (APversion)	GB	3122 785 11240

SERVICE INFORMATION	LANGUAGE	CODE NUMBER
SI A10PTV2.0 PAL AA 01.01	GB	3122 785 40380

SERVICE MANUAL	LANGUAGE	CODE NUMBER
SM EM1A AA	GB	3122 785 10850
SM EM1A AA NTSC (Taiwan, Korea)	GB	3122 785 11490

SERVICE INFORMATION	LANGUAGE	CODE NUMBER
SI EM1A AA 01.01	GB	3122 785 40330
SI EM1A AA 01.02	GB	3122 785 40400

SERVICE MANUAL	LANGUAGE	CODE NUMBER
SM EM2E AA	GB	3122 785 10310
SM EM2E AA	NL	3122 785 10320
SM EM2E AA	D	3122 785 10330
SM EM2E AA	F	3122 785 10340
SM EM2E AA	I	3122 785 10350
SM EM2E AA	E	3122 785 10360

SERVICE INFORMATION	LANGUAGE	CODE NUMBER
SI EM2E AA 00.01	All	3122 785 40190
SI EM2E AA 00.02	All	3122 785 40290
SI EM2E AA 01.01	All	3122 785 40310

SERVICE MANUAL	LANGUAGE	CODE NUMBER
SM EM1L AA	E	3122 785 11470
SM EM1L AA	Br/Por	3122 785 11480

SERVICE MANUAL	LANGUAGE	CODE NUMBER
SM N8	GB	3122 785 11461

SERVICE MANUAL	LANGUAGE	CODE NUMBER
SM EM3E AA	GB	3122 785 11360
SM EM3E AA	D	3122 785 11370
SM EM3E AA	F	3122 785 11380
SM EM3E AA	I	3122 785 11390
SM EM3E AA	E	3122 785 11400

SERVICE MANUAL	LANGUAGE	CODE NUMBER
SM Receiver-box FTV1.9E AA	GB	3122 785 10160
SM Display-box FTV1.9E AA	GB	3122 785 10170
SM Receiver-box FTV1.9E AA	D	3122 785 10028
SM Display-box FTV1.9E AA	D	3122 785 10029
SM Receiver-box FTV1.9E AA	F	3122 785 10030
SM Display-box FTV1.9E AA	F	3122 785 10031

SERVICE INFORMATION	LANGUAGE	CODE NUMBER
SI Display-box FTV1.9 AA 00.02	GB	3122 785 40170
SI FTV1.9DE AA 00.01	GB	3122 785 40210
SI FTV1.9DE AA 00.02	GB	3122 785 40170
SI FTV1.9EA AA 00.01	GB	3122 785 40200
SI PD4200 N1M (monitor)	GB	3122 785 40150
SI TR4200 N1B/T1B (E-box)	GB	3122 785 40160
SI FTV1.9EE AA 00.01	GB	3122 785 40220

SERVICE MANUAL	LANGUAGE	CODE NUMBER
SM F21RE AA	GB	3122 785 11410
SM F21RE AA	D	3122 785 11420
SM F21RE AA	F	3122 785 11430
SM F21RE AA	I	3122 785 11440
SM F21RE AA	E	3122 785 11450

SERVICE MANUAL	LANGUAGE	CODE NUMBER
SM FM23 AA	GB	3122 785 11300
SM FM23 AA	D	3122 785 11310
SM FM23 AA	F	3122 785 11320
SM FM23 AA	I	3122 785 11330
SM FM23 AA	E	3122 785 11340
SM FM23 AA	Br/Por	3122 785 11350

SERVICE MANUAL	LANGUAGE	CODE NUMBER
SM L01.1A AA (Large Screen)	GB	3122 785 11121

SERVICE MANUAL	LANGUAGE	CODE NUMBER
SM L01.1E AA (Large Screen)	GB	3122 785 11111
SM L01.1E AA (Large Screen)	D	3122 785 11700
SM L01.1E AA (Large Screen)	F	3122 785 11710
SM L01.1E AA (Large Screen)	I	3122 785 11720
SM L01.1E AA (Large Screen)	E	3122 785 11730

SERVICE MANUAL	LANGUAGE	CODE NUMBER
SM L01.1L AA (Large Screen)	GB	3122 785 11140
SM L01.1L AA (Large Screen)	E	3122 785 11791
SM L01.1L AA (Large Screen)	Br/Por	3122 785 11811

SERVICE MANUAL	LANGUAGE	CODE NUMBER
SM L01.1U AA (Large Screen, USA: M8)	GB	3122 785 11170

SERVICE MANUAL	LANGUAGE	CODE NUMBER
SM L01.2A AA (Small Screen)	GB	3162 785 11160

SERVICE MANUAL	LANGUAGE	CODE NUMBER
SM L01.2E AA (Small Screen)	GB	3122 785 11150
SM L01.2E AA (Small Screen)	D	3122 785 11740
SM L01.2E AA (Small Screen)	F	3122 785 11750
SM L01.2E AA (Small Screen)	I	3122 785 11760
SM L01.2E AA (Small Screen)	E	3122 785 11770

SERVICE MANUAL	LANGUAGE	CODE NUMBER
SM L01.2L AA (Small Screen)	GB	3122 785 11180
SM L01.2L AA (Small Screen)	E	3122 785 11800
SM L01.2L AA (Small Screen)	Br/Por	3122 785 11820

SERVICE MANUAL	LANGUAGE	CODE NUMBER
SM L01.2U AA (Small Screen, USA: L8)	GB	3122 785 11130

SERVICE INFORMATION	LANGUAGE	CODE NUMBER
SI L01H.1A AA	GB	3122 785 40420

SERVICE MANUAL	LANGUAGE	CODE NUMBER
SM L01H.1E AA	GB	3122 785 11630

SERVICE INFORMATION	LANGUAGE	CODE NUMBER
SI L01H.2E AA	GB	3122 785 11640

SERVICE MANUAL	LANGUAGE	CODE NUMBER
SM L01H.1L/L01H.2L AA	GB	3122 785 11980

SERVICE MANUAL	LANGUAGE	CODE NUMBER
SM L6.1 AA	GB	4822 727 20901
SM L6.1 AA	NL	4822 727 20903
SM L6.1 AA	D	4822 727 20902
SM L6.1 AA	F	4822 727 20904
SM L6.1 AA	I	4822 727 20905
SM L6.1 AA	E	4822 727 20906

SERVICE INFORMATION	LANGUAGE	CODE NUMBER
SI L6.1 AA 97.02 (3W mono audio ampl.)	GB/NL/D/F/I/E	4822 727 21536

SERVICE MANUAL	LANGUAGE	CODE NUMBER
SM L7.1A AA	GB	4822 727 21497

SERVICE MANUAL	LANGUAGE	CODE NUMBER
SM L9.1A AA	GB	4822 727 21704

SERVICE INFORMATION	LANGUAGE	CODE NUMBER
SI L9.1A AA 00.01	GB	3122 785 40140
SI L9.1A AA 00.02	GB	3122 785 40240

SERVICE MANUAL	LANGUAGE	CODE NUMBER
SM L9.1E AA	GB	4822 727 21677
SM L9.1E AA	NL	4822 727 21678
SM L9.1E AA	D	4822 727 21679
SM L9.1E AA	F	4822 727 21681
SM L9.1E AA	I	4822 727 21682
SM L9.1E AA	E	4822 727 21683
SM L9.1E AB	GB	3122 785 10720
SM L9.1E AB	NL	3122 785 10730
SM L9.1E AB	D	3122 785 10740
SM L9.1E AB	F	3122 785 10750
SM L9.1E AB	I	3122 785 10760
SM L9.1E AB	E	3122 785 10770

SERVICE INFORMATION	LANGUAGE	CODE NUMBER
SI L9.1E AA 00.01	All	3122 785 40130

SERVICE MANUAL	LANGUAGE	CODE NUMBER
SM L9.2A AA	GB	4822 727 21705

SERVICE MANUAL	LANGUAGE	CODE NUMBER
SM L9.2E AA	GB	4822 727 21684
SM L9.2E AA	NL	4822 727 21685
SM L9.2E AA	D	4822 727 21686
SM L9.2E AA	F	4822 727 21687
SM L9.2E AA	I	4822 727 21688
SM L9.2E AA	E	4822 727 21689

SERVICE INFORMATION	LANGUAGE	CODE NUMBER
SI L9.2E AA 00-01		3122 785 40100

SERVICE MANUAL	LANGUAGE	CODE NUMBER
SM L9.3A AA	GB	3122 785 10061

SERVICE MANUAL	LANGUAGE	CODE NUMBER
SM L9.3E AA	GB	3122 785 10370
SM L9.3E AA	NL	3122 785 10380
SM L9.3E AA	D	3122 785 10390
SM L9.3E AA	F	3122 785 10400
SM L9.3E AA	I	3122 785 10410
SM L9.3E AA	E	3122 785 10420

SERVICE MANUAL	LANGUAGE	CODE NUMBER
SM L9H.1A AA	GB	3122 785 10062

SERVICE MANUAL	LANGUAGE	CODE NUMBER
SM L9H.1E AA	GB	3122 785 10064
SM L9H.1E AA	D	3122 785 10190
SM L9H.1E AA	F	3122 785 10200
SM L9H.1E AA	I	3122 785 10210
SM L9H.1E AA	E	3122 785 10220

SERVICE INFORMATION	LANGUAGE	CODE NUMBER
SI L9H.1E AA 01.01	GB,D, F, I, E	3122 785 40470

SERVICE MANUAL	LANGUAGE	CODE NUMBER
SM L9H.2A AA	GB	3122 785 10063

SERVICE MANUAL	LANGUAGE	CODE NUMBER
SM L9H.2E AA	GB	3122 785 10065
SM L9H.2E AA	D	3122 785 10240
SM L9H.2E AA	F	3122 785 10250
SM L9H.2E AA	I	3122 785 10260
SM L9H.2E AA	E	3122 785 10270

SERVICE INFORMATION	LANGUAGE	CODE NUMBER
SI L9H.2E AA 01.01	GB,D, F, I, E	3122 785 40480

SERVICE MANUAL	LANGUAGE	CODE NUMBER
SM L9H.2E AA Supplement on card	GB	3122 785 10600
SM L9H.2E AA Supplement on card	D	3122 785 10610
SM L9H.2E AA Supplement on card	F	3122 785 10620
SM L9H.2E AA Supplement on card	E	3122 785 10640

SERVICE MANUAL	LANGUAGE	CODE NUMBER
SM MD1.1A AA	GB	4822 727 21523
SM MD1.1A BA	GB	4822 727 21663

SERVICE MANUAL	LANGUAGE	CODE NUMBER
SM MD1.2E AA Digital TV	GB	4822 727 21645
SM MD1.2E AA Supplement	GB	4822 727 21498
SM MD1.2E AA Supplement	NL	4822 727 21499
SM MD1.2E AA Supplement	D	4822 727 21501
SM MD1.2E AA Supplement	F	4822 727 21502
SM MD1.2E AA Supplement	I	4822 727 21503
SM MD1.2E AA Supplement	E	4822 727 21504

SERVICE INFORMATION	LANGUAGE	CODE NUMBER
SI MD2.1XE AA 98.01	GB	4822 727 21576
SI MD2.1XE AA 98.01	NL	4822 727 21577
SI MD2.1XE AA 98.01	D	4822 727 21578
SI MD2.1XE AA 98.01	F	4822 727 21579
SI MD2.1XE AA 98.01	I	4822 727 21581
SI MD2.1XE AA 98.01	E	4822 727 21582

SERVICE MANUAL	LANGUAGE	CODE NUMBER
SM MD2.2xE AA	GB	4822 727 21484
SM MD2.2xE AA	NL	4822 727 21485
SM MD2.2xE AA	D	4822 727 21486
SM MD2.2xE AA	F	4822 727 21487
SM MD2.2xE AA	I	4822 727 21488
SM MD2.2xE AA	E	4822 727 21489

SERVICE INFORMATION	LANGUAGE	CODE NUMBER
SI MD2.2xE AA 97.01	GB	4822 727 21537
SI MD2.2xE AA 97.01	NL	4822 727 21538
SI MD2.2xE AA 97.01	D	4822 727 21539
SI MD2.2xE AA 97.01	F	4822 727 21541
SI MD2.2xE AA 97.01	I	4822 727 21542
SI MD2.2xE AA 97.01	E	4822 727 21543
SI MD2.2xE AA 98.01	GB	4822 727 21583
SI MD2.2xE AA 98.01	NL	4822 727 21595
SI MD2.2xE AA 98.01	D	4822 727 21596
SI MD2.2xE AA 98.01	F	4822 727 21597
SI MD2.2xE AA 98.01	I	4822 727 21598
SI MD2.2xE AA 98.01	E	4822 727 21599

SERVICE MANUAL	LANGUAGE	CODE NUMBER
SM MD2.25E AA		4822 727 21611

SERVICE INFORMATION	LANGUAGE	CODE NUMBER
SI MD2.25 AA 98.01		4822 727 21671

SERVICE MANUAL	LANGUAGE	CODE NUMBER
SM MG1.1E AA	GB	3122 785 10150

SERVICE MANUAL	LANGUAGE	CODE NUMBER
SM MG2.1E AA	GB	4822 727 21622
SM MG2.1E AA	NL	4822 727 21623
SM MG2.1E AA	D	4822 727 21624
SM MG2.1E AA	F	4822 727 21625
SM MG2.1E AA	I	4822 727 21626
SM MG2.1E AA	E	4822 727 21627

SERVICE INFORMATION	LANGUAGE	CODE NUMBER
SI MG2.1E AA 99-01	GB	4822 727 21668
SI MG2.1E AA 99-01	NL	4822 727 21698
SI MG2.1E AA 99-01	D	4822 727 21701
SI MG2.1E AA 99-01	F	4822 727 21699
SI MG2.1E AA 99-01	I	4822 727 21702
SI MG2.1E AA 99-01	E	4822 727 21703
SI MG2.1E AA 99-02	GB	3122 785 40001
SI MG2.1E AA 99-02	NL	3122 785 40002
SI MG2.1E AA 99-02	D	3122 785 40003
SI MG2.1E AA 99-02	F	3122 785 40004
SI MG2.1E AA 99-02	I	3122 785 40005
SI MG2.1E AA 99-02	E	3122 785 40006
SI MG2.1E AA 99-03	-	3122 785 40017
SI MG2.1E AA 00.02	All	3122 785 40180
SI MG2.1E/MG3.1E 00.01	All	3122 785 40120
SI MG2.1E AA 00.03 (Design Line)	All	3122 785 40300

SERVICE INFORMATION	LANGUAGE	CODE NUMBER
SI MG2.1E/MG3.1E/MG4.1/MG7.1E	All	3122 785 40280

SERVICE MANUAL	LANGUAGE	CODE NUMBER
SM MG3.1A AA	GB	3122 785 10060

SERVICE MANUAL	LANGUAGE	CODE NUMBER
SM MG3.1E AA	GB	3122 785 10001
SM MG3.1E AA	NL	3122 785 10002
SM MG3.1E AA	D	3122 785 10003
SM MG3.1E AA	F	3122 785 10004
SM MG3.1E AA	I	3122 785 10005
SM MG3.1E AA	E	3122 785 10006

SERVICE MANUAL	LANGUAGE	CODE NUMBER
SM MG3.1U Force	GB	7593

SERVICE INFORMATION	LANGUAGE	CODE NUMBER
SI MG3.1E 99-01	All	3122 785 40018
SI MG3.1E 00-01	All	3122 785 40090
SI MG3.1E AA 01.01	All	3122 785 40410
SI MG2.1E/MG3.1E 00.01	All	3122 785 40120

SERVICE MANUAL	LANGUAGE	CODE NUMBER
SM MG3.2E AA	GB	3122 785 11890
SM MG3.2E AA	D	3122 785 11900
SM MG3.2E AA	F	3122 785 11910
SM MG3.2E AA	I	3122 785 11920
SM MG3.2E AA	E	3122 785 11930

SERVICE MANUAL	LANGUAGE	CODE NUMBER
SM MG4.1E AA	GB	3122 785 10650

SERVICE MANUAL	LANGUAGE	CODE NUMBER
SM MG5.1E AA	GB	3122 785 10016
SM MG5.1E AA	NL	3122 785 10017
SM MG5.1E AA	D	3122 785 10018
SM MG5.1E AA	F	3122 785 10019
SM MG5.1E AA	I	3122 785 10021
SM MG5.1E AA	E	3122 785 10022

SERVICE MANUAL	LANGUAGE	CODE NUMBER
SM MG7.1E AA	GB	3122 785 10780
SM MG7.1E AA	NL	3122 785 10790
SM MG7.1E AA	D	3122 785 10800
SM MG7.1E AA	F	3122 785 10810
SM MG7.1E AA	I	3122 785 10820
SM MG7.1E AA	E	3122 785 10830

Remote control survey

RC TYPE	CODE NUMBER
RC0205/00	4822 218 10681
RC0311/00	4822 219 10098
RC0333/01	3139 148 55140
RC19036002/01	3139 228 88001
RC19039001/01	3139 228 86471
RC19042001/01	3139 228 86482
RC19335003/01	3139 228 86452
RC19335009/01	3139 228 89251
RC2008/01	4822 219 10695
RC2009/01	4822 219 10578
RC2012/01	3128 147 11811
RC2012/01	3128 147 11811
RC2017/01	3128 147 13331
RC2020/01	3104 207 09540
RC2020/01B	3104 207 09541
RC2030/01	3104 207 09551
RC2031/01	3104 207 09560
RC2031/01B	3104 207 09561
RC2033/01B	3104 207 09581
RC2035/01	3104 207 09601
RC2036/01	3128 147 11721
RC2038/01B	3128 147 12041
RC2042/01	3128 147 12231
RC2043/01B	3128 147 13201
RC2044/01B	3128 147 13651
RC2511/01	3139 228 84131
RC2525/01	4822 219 10705
RC2532/01	3139 228 82541
RC2533/01	3139 228 82551
RC2541/00	3104 207 08352
RC2541/01	4822 219 10527
RC2543/01	3128 147 12071
RC2563/01	3139 228 84143
RC2576/01	3139 228 86171
RC2592/00	3104 207 09520
RC2592/01B	3104 207 09532
RC282401/01	4822 219 10767
RC282601/01	3139 228 81411
RC282603/01	3139 228 85281
RC282903/01	4822 219 10769
RC282904/01	3139 228 85941
RC283501/01	4822 219 10766
RC283504/01	3139 228 85171
RC283508/01	3139 228 85181
RC283509/01	3139 228 85291
RC283510/01	3139 228 85951
RC2882/01	3139 228 81973
RC2884/00	3139 228 83221
RC2884/01	3139 228 83220
RC2885/01	3139 228 60021
RC8106/01	3139 207 06971
RC8108/01	4822 219 10586
RC8109/01	4822 219 10585
RC8201/01	4822 218 21248
RC8205/01	4822 218 21284
RC8205/21	4822 219 10289
RC8207/01	4822 219 10604
RC8215/01	3128 147 11381
RC86702/01	3139 228 89381
RC86703/01	3139 228 89391
RCL9ED	4822 219 10768
RCLE011	3139 128 76291
RCLE013	3139 128 76271
RCLE014	3139 228 86471
RCTS1006pronto	3104 207 10321
RG4172BK(T374A)	3135 017 02641
SBHV00020A	3139 128 76011
SBHV00022A	3104 327 00001
SBHV00030A	3104 327 00021
SBHV00032A	3104 327 00031
SBJJ00003A	3139 128 75701
TS1006	3104 207 10322

Tuner survey

TUNER TYPE	CODE NUMBER
ENV56D9863	2422 542 90108
FQ916DMF/PH MK2	4822 210 10634
FQ916DMR/PH MK2	4822 210 10625
FQ916ME/PH MK2	4822 210 10636
FS936E	4822 210 10468
FV916MG/PH	4822 210 10654
TEDE9-004A	4822 210 10853
TEDE9-031A	2422 542 90072
TEDE9-228A	2422 542 90111
TEDE9X002A	2422 542 90066
TEDE9X003A	2422 542 90065
TEDE9X700A	2422 542 90075
TEDE9X029A	2422 542 90067
TEDH9-200A	2422 542 90098
TEDH9-202A	2422 542 90115
TEDH9X001A	4822 210 10854
TEDH9X022A	2422 542 90079
UR1316/A I-3	3139 147 16441
UR1316R/A I -3	3139 147 17402
UV1316/A I U-2	4822 210 10848
UV1316/A I U-3	3139 147 17311
UV1316/A I-2	4822 210 10841
UV1316/A I-3	3139 147 16611
UV1316/A P-3	3139 147 16621
UV1316/A I X U-3	3139 147 18851
UV1316/A I X-3	3139 147 18831
UV1336B/A P S	3104 147 14911
UV1356A/AIG-3	3139 147 16481
UV915E/MK3	4822 210 10448

CRT survey

CRT TYPE	CODE NUMBER
510UFB22	4822 131 11299
A34AGT11X91	4822 131 11357
A34AGT11X91	4822 131 11357
A34AGT13X95	9322 137 68682
A34AGT13X95E	9322 139 76682
A34AGT14X91	9322 139 31682
A34EAC01X024	4822 131 11367
A34EAC01X113	9301 861 90301
A34EAC11X113	9301 862 00313
A34JLL91X83	9322 146 12682
A36QDT351X01	9322 163 43682
A41EAM40X20	9301 835 40301
A48ECR143X18	9322 136 38682
A51EAL135X15	4822 131 11087
A51EAL155X01	4822 131 11175
A51EAL155X47	4822 131 11105
A51EER133X72	9322 145 31682
A51EFK135X47	9301 842 70329
A51EHW135X47	9301 843 10329
A51ERF135X72	9301 866 80301
A51KPX10X	4822 131 11104
A51KXR95X	4822 131 20581
A51KXR95X01	9322 152 60682
A51KXR95X99	9322 131 77682
A51LSK955X	9322 156 24682
A51LSK955X01	9322 153 82682
A59EAK071X11	4822 131 11184
A59EAK071X44	9301 735 10306
A59EAK552X11	4822 131 20568
A59EEJ71X	4822 131 11368
A59EEJ71X11	4822 131 11366
A59EMZ43X07	9322 147 09682
A59QDF891X001	9322 163 87682
A59QDF891X001(L)	9322 163 87682
A59QDF891X005(L)	9322 164 08682
A66EAK071X01	4822 131 11216
A66EAK071X11	4822 131 11045
A66EAK071X44	9301 732 90303
A66EAK552X11	4822 131 20559
A66EAK552X21	9301 721 10346
A66ECF50X05	9322 147 08682
A66EMZ43X07	9322 157 16682

A68AJB82X01	4822 131 20628
A68ERF031X044	9301 831 70301
A68ESF002X111	4822 131 11298
A68ESF002X143	4822 131 11311
A68ESF004X111	9301 811 40314
A68QCP891X001	9322 142 09682
A68QCP891X005	9322 142 10682
A68QCP891X100	8204 000 73341
A68QCP891X101	9322 147 78682
A68QCP891X102	8204 000 73431
A68QCP891X500	9322 160 14682
A68QCP891X500 M169	3104 309 16301
A68QCP891X501	9322 160 15682
A68QCP891X501 M169	3104 309 16311
A68QCP891X502	9322 160 16682
A68QCP891X604	9322 162 09682
A68QCP891X628	9322 177 18682
A80ECK272X56	9301 795 00489
A80EJX011X129	8204 000 74831
A80EJX011X429	9322 176 81682
FPF32C106128UA-52	9322 172 11682
FPF42C10660UD-02	4822 135 00193
FPF42C10660UE-11	9322 147 49682
M79LQM185X01	9322 156 41682
M79LQM185X02	9322 156 41682
W56ECK001X04	9301 760 20301
W66ECK001X14	4822 131 11345
W66EJU023X815	9322 174 13682
W66ERF001X013	9301 805 90301
W66ERF031X044	9301 828 00306
W66ERF041X044	9301 852 40306
W66ERF042X044	9301 880 70301
W66ESF002X44	4822 131 20704
W76EGV023X315	9322 148 59682
W76EKW10X73	9322 173 93682
W76ERF001X013	9301 800 90314
W76ERF031X044	9301 827 70301
W76ERF041X044	9301 852 00301
W76ERF042X013	9301 880 80314
W76ERF042X044	9301 880 70301
W76ESF031X14	4822 131 11215
W76ESF031X44	4822 131 20705
W86LPX955X	3104 300 50301

Software survey

Tabel 1

Version	Remarks
3104 317 00850	<ul style="list-style-type: none"> - Improved EPG performance <ul style="list-style-type: none"> • Improved acquisition: new acquisition filter (low and high level). Consequence: max. EPG standby time increased to 1 hour • Acquisition start in EPG standby even if no date/time available on local broadcasters • MIP and BI processing done • Improved speed of display update (theme guide) • Message added: 'Programme information can not be displayed on this preset. Select on other preset' (all languages) • Improved reminder start-up: also after power failure in standby

Tabel 2

Version	Remarks
3104 317 01020 3104 317 01030 3104 317 01040	<ul style="list-style-type: none"> - New Auto TV parameters / user Sharpness control improved - New 864 Dolby module added to software - Menu colours / layout changed OSD size reduction (no more icons) - Adopted for the MID2.25 stick remote control RC2000 - Permanent OSD is permanent again: only number! - Bayern Text problem solved - DVD in stead of CDi in the menus - Store PP is moved to Set-up menu; features menu contains now a new item: "Recall Pers. Prefs." - The EasyLink record button now has a 'toggle' function: EasyLink Record and EasyLink Stop. As a consequence, in exceptional situations, sometimes the user has to press this button twice. - 433 cordless Dolby: no Dolby transmission for preset at 359MHz - 1mW or 10mW cordless transmitter selected depending country-choice in menus

Tabel 3

Version	Remarks
3104 317 01240 3104 317 01250 3104 317 01360	<ul style="list-style-type: none"> - P50 standby problem is solved (PR 1679,1764) - Polish Clock problem before 10:00 AM is solved. - Problem with 'WideScreen' aspect-ratio after textDualScreen is solved. - Blanking time when zapping between presets is changed is 3 grades: much shorter for 4:3 TVs, not altered for PAL+ TVs, shorter for the remaining (16:9) types. - A short blanking is introduced when zapping the primary image in Video Dual Screen mode. - East Europe translation problems (inconsistency with manuals) solved. - Mosaic menu line invisible on NTSC image solved. - Entering VGA picture menu with OK button. - 'CDI' in customer service menu 2 added. - Picture performance for DVD is improved: DVD settings work for CVBS, Y/C, and RGB. Changed: Dynamic contrast, Sharpness, Contrast, ANR, Auto TV parameters (CR ER 493, 613). In the set-up menu, the DVD item is altered: the DVD (or other 'Digital Sources') can now be connected to EXT1, 2, 3, or FRONT (used to be only EXT1). The improved picture performance settings will work on the selected connection. - The 'Soft' smart picture mode is altered to give the best possible picture performance for bad quality MPEG signals. - The "information line" item in the set-up menu, is now also functional in permanent OSD mode. - The picture performance of text-dual screen is improved by selecting another font, and shifting the text area a bit away from the picture tube edge. <p>Due to a problem with the set-type determination, this software can not be used in TVs for which the option bit for Smartic is not set, i.e. TVs that do not have the Smartic hardware (Dynamic Contrast). This makes this software unusable as a service-solution for a lot of MID2.2 TVs. All the MID2.25 TV sets do have the Smartic, so this software can be used for MID2.25. The phenomenon in a TV with the Smartic option bit cleared: The screen comes up very dark when switching ON the TV. Pressing the "PP restore" button restores the light-output. After a preset change, the screen is dark again. Pressing "PP restore" restores light.</p>

Software survey

Tabel 4

Version	Remarks
MG2.1E11.0_01561	<ul style="list-style-type: none"> - Subtitle via sub-code gets blocked, solved now - Correctness of clock. Clock accuracy is optimised (deviation 6 sec during 24 hours) - OSD clock update is stumbling. Clock is updated every 0.5 sec now. No further optimisation possible without a serious architecture change. - ACI optimisation , 5 min hang-up during scrambled signals is optimised to 1.5 min - ACI problems in The Netherlands. Sometimes the region table was skipped. The region selection table is always shown now, so the customer needs to select. - ACI problem with Tables on TOP-pages is NOT solved. Broadcaster needs adaptation; TOP table usage is not allowed. - TOP overview corruption of left table is SOLVED - TXT level 2.5 side band colours during vertical expansion; SOLVED - Subtitle skipping of text. This is optimised now - Sound after 4 min EPG-standby. Set doesn't free-up the sound anymore. - EPG sleep timer 2 hours. Set goes into st-by after a reminder wake-up without RC5/RC6 interaction. - EPG reminder wake-up. Sometimes the set doesn't wake-up. Depending on the quality of packet 8/30 wake-ups can go wrong. - Habit watch was not in. Functionality is available now - Next view on M6. Sometimes the TV selects TXT-guide ISO Next View. This is according to spec. Detecting EPG can take max. 2 minutes - Vg2 acknowledge for factory purposes - Hang-up problem; NVM-dump for prod needed for further analyses on hang-ups. - Exception handling to optimise the hang-up behaviour. This has no influence for the customer. - Dealer option store PR is solved

Tabel 5

Version	Remarks
MG2.1E11.3_01611	<ul style="list-style-type: none"> - HOP hardware problem, horizontal jitter. Switch to fast PLL for the N1 HOP version is implemented. - HIP hardware problem, SECAM recognition. The temporarily loss of colour and sync of SECAM signal via SCART is solved. - WSS problem. WSS recognition is disturbed due to a changed spec of MacroVision-protection. The unreliability behaviour of the WSS algorithm is solved. The change only influences the behaviour on SCART. - Slow Status recognition on SCART. The different behaviour of rising and falling edges on the SCART connector is now consistent. This solves strange switching between 4/3 and 16/9 format - OSD text changes for EPG-France; "une fo" becomes "1 fois" and "Journe" becomes "Jour" - OSD text changes in Polish language; "Glosnosc" (Not correctly displayed due to keyboard limitations) and "Wybierz Jezuk" (idem) - Canal+ - M6 EPG problem. When selecting EPG on Canal+, the set switches in the background to M6, which makes the M6 sound available. Switching back to TV-mode makes the set to tune to Canal+ again. MIP page transmission was not possible with the previous SW version. A patch in the Soton SW solves this problem. Now, when selecting EPG on Canal+ no background tuning will happen. ATTENTION: The first time you access EPG transmitted through MIP pages (exp.: Canal+) you need to be tuned during 4 minutes on this channel. This time is required to give the application time to capture the MIP page and store it in NVM. - ACI Veldhoven problem. Cable Distribution company in Veldhoven (the Netherlands) is using transmission pages, which are reserved for TOP table transmission. This is not a common use, but it is allowed according to spec. In this SW version the TOP acquisition is switched OFF during ACI installation, which solves this problem

Software survey

SOFTWARE SURVEY										REPLACED BY	
CHASSIS	FAMILY	PRODUCTION CODE	IP TYPE/VERSION	IDENT	SERVICE CODE	HOTEL MODE ?	REMARKS TYPICAL FOR THIS SOFTWARE	IDENT	SERVICE CODE		
A10A AA	China, non-TXT	From Wk026 and higher	SAA5645	A10AP1-1.0	9965 000 07276	No	Initial version	A10AP1-1.8	9965 000 07276		
A10A AA	China, non-TXT	From Wk029 and higher	SAA5645	A10AP1-1.1	9965 000 07276	No	OSD of the locked channel is not displayed - TV lock up/down channel of CVI - Comfilter switching problem at low signal - PIP OSD position in mode 1,2,3,4 - PIP OSD out of PIP window when in CVI - Dual I/II key problem on external channel - TV lock problem enter access code	A10AP1-1.8	9965 000 07276		
A10A AA	China, non-TXT	From Wk030 and higher	SAA5645	A10AP1-1.3	9965 000 07276	No	HeadPhone pop sound during PIP channel change - Adjust hue(trim) offset for non CVI - After manual store, the sound reset to theater - Hue value in CSM is -50. Whereas in normal mode is 0 - A/CH to toggle RF source to AV source is not working when program list is on - Program list scrolling when av source is skipped problem - Contrast reduction when no video ident - Headphone not mute when OPC DW PIP on/off	A10AP1-1.8	9965 000 07276		
A10A AA	China, non-TXT	From Wk034 and higher	SAA5645	A10AP1-1.4	9965 000 07276	No	IO expander set / reset SAW filter should be done for all AP region - Double window corruption - To fix warning message for PIP	A10AP1-1.8	9965 000 07276		
A10A AA	China, non-TXT	From Wk034 and higher	SAA5645	A10AP1-1.5	9965 000 07276	No	Audio is muted after the fine tune value in the install submenu is adjusted and stored into A10 DVD	A10AP1-1.8	9965 000 07276		
A10A AA	China, non-TXT	From Wk052 and higher	SAA5645	A10AP1-1.6	9965 000 07276	No	Remove PIP submenu when the option PIPC is OFF - Headphone crosstalk problem - To mute headphone when no signal input and during PIP channel change - Colour could not be detected when plug-in Y/C cable problem	A10AP1-1.8	9965 000 07276		
A10A AA	China, non-TXT	From Wk126 and higher	SAA5645	A10AP1-1.8	9965 000 07276	No	Sound is muted after perform fine tuning and stored - White line is seen in 16:9 mode with DVD input for NTSC mode	-	-		
A10A AA	AP PAL/Multi (57, /69, /73, /79)	From Wk034 and higher	SAA5667	A10AS1-1.0	9965 000 07277	No	Initial version	A10AS1-1.4	9965 000 07277		
A10A AA	AP PAL/Multi (57, /69, /73, /79)	From Wk040 and higher	SAA5667	A10AS1-1.1	9965 000 07277	No	Teletext clock display - IO expander set / reset SAW filter should be done for all AP region - Double window corruption - Fix warning message for PIP	A10AS1-1.4	9965 000 07277		
A10A AA	AP PAL/Multi (57, /69, /73, /79)	From Wk047 and higher	SAA5667	A10AS1-1.2	9965 000 07277	No	Remove PIP submenu when the option PIPC is OFF - Headphone crosstalk problem - To mute headphone when no signal input and during PIP channel change - Colour could not be detected when plug-in Y/C cable problem	A10AS1-1.4	9965 000 07277		
A10A AA	AP PAL/Multi (57, /69, /73, /79)	From Wk126 and higher	SAA5667	A10AS1-1.4	9965 000 07277	No	White line is seen in 16:9 format with DVD input in NTSC mode	-	-		
A10A AA	Middle East (/56), 10pg TXT	From Wk036 and higher	SAA5667	A10AS2-1.0	9965 000 07281	No	Initial version	A10AS2-1.3	9965 000 07281		
A10A AA	Middle East (/56), 10pg TXT	From Wk040 and higher	SAA5667	A10AS2-1.1	9965 000 07281	No	IO expander set / reset SAW filter should be done for all AP region - Double window corruption - To fix warning message for PIP	A10AS2-1.3	9965 000 07281		
A10A AA	Middle East (/56), 10pg TXT	From Wk047 and higher	SAA5667	A10AS2-1.2	9965 000 07281	No	Remove PIP submenu when the option PIPC is OFF - Headphone crosstalk problem - To mute headphone when no signal input and during PIP channel change - Colour could not be detected when plug-in Y/C cable	A10AS2-1.3	9965 000 07281		
A10A AA	Middle East (/56), 10pg TXT	From Wk126 and higher	SAA5667	A10AS2-1.3	9965 000 07281	No	Dark page subtitle - Shift down OSD from first row - White line is seen in 16:9 format with DVD input in NTSC mode	-	-		
A10A AA	AP PAL/Multi (57, /69, /79), 100pg	From Wk033 and higher	SAA5667	A10AT1-1.0	9965 000 07282	No	Initial version	A10AT1-1.5	9965 000 07282		
A10A AA	AP PAL/Multi (57, /69, /79), 100pg	From Wk034 and higher	SAA5667	A10AT1-1.1	9965 000 07282	No	Teletext clock display - IO expander set / reset SAW filter should be done for all AP region - Double window corruption - Fix warning message for PIP	A10AT1-1.5	9965 000 07282		
A10A AA	AP PAL/Multi (57, /69, /79), 100pg	From Wk044 and higher	SAA5667	A10AT1-1.2	9965 000 07282	No	Max cathode drive - Ports controllable by ComFair	A10AT1-1.5	9965 000 07282		
A10A AA	AP PAL/Multi (57, /69, /79), 100pg	From Wk052 and higher	SAA5667	A10AT1-1.3	9965 000 07282	No	Remove PIP submenu when the option PIPC is OFF - Headphone crosstalk problem - To mute headphone when no signal input and during PIP channel change - Colour could not be detected when plug-in Y/C cable	A10AT1-1.5	9965 000 07282		
A10A AA	AP PAL/Multi (57, /69, /79), 100pg	From Wk111 and higher	SAA5667	A10AT1-1.4	9965 000 07282	No	Dark page subtitle - Shift down OSD from first row	A10AT1-1.5	9965 000 07282		
A10A AA	AP PAL/Multi (57, /69, /79), 100pg	From Wk126 and higher	SAA5667	A10AT1-1.5	9965 000 07282	No	White line is seen in 16:9 format with DVD input in NTSC mode	-	-		
A10A AA	Middle East PAL/Multi (/56), 100pg	From Wk037 and higher	SAA5667	A10AT2-1.0	9965 000 07283	No	Initial version	A10AT2-1.3	9965 000 07283		
A10A AA	Middle East PAL/Multi (/56), 100pg	From Wk040 and higher	SAA5667	A10AT2-1.1	9965 000 07283	No	IO expander set / reset SAW filter should be done for all AP region - Double window corruption - Fix warning message for PIP	A10AT2-1.3	9965 000 07283		
A10A AA	Middle East PAL/Multi (/56), 100pg	From Wk052 and higher	SAA5667	A10AT2-1.2	9965 000 07283	No	Dark page subtitle (P01) - Shift down OSD from first row - White line is seen in 16:9 format with DVD input in NTSC mode	A10AT2-1.3	9965 000 07283		
A10A AA	Middle East PAL/Multi (/56), 100pg	From Wk126 and higher	SAA5667	A10AT2-1.3	9965 000 07283	No	Dark page subtitle (P01) - Shift down OSD from first row - White line is seen in 16:9 format with DVD input in NTSC mode	-	-		
A10A AA	AP-NTSC (71, /97)	From Wk037 and higher	SAA5645	A10AN1-1.1	9965 000 07284	No	Initial version	A10AN1-1.5	9965 000 07284		
A10A AA	AP-NTSC (71, /97)	From Wk107 and higher	SAA5645	A10AN1-1.3	9965 000 07284	No	Only mono sound can be heard upon mains ON - Headphone crosstalk problem	A10AN1-1.5	9965 000 07284		
A10A AA	AP-NTSC (71, /97)	From Wk126 and higher	SAA5645	A10AN1-1.5	9965 000 07284	No	White line is seen in DVD 16:9 mode	-	-		
A10A AA	AP-NTSC (61), non-TXT, CC	From Wk037 and higher	SAA5645	A10AN2-1.1	9965 000 07285	No	Initial version	A10AN2-1.5	9965 000 07285		
A10A AA	AP-NTSC (61), non-TXT, CC	From Wk111 and higher	SAA5645	A10AN2-1.2	9965 000 07285	No	Cancel all timer when hospitality mode is entered - Close Caption does not display after setting it to ON - Close Caption display problem in CVI mode - Lock icon can be seen in program list when CHLK is OFF - Left side of the screen is unblanked in blocked channel when sleep timer is ON and Close Caption is ON - Last status of sound detection - Error 16 & 13 reported in SDM when shorting SDM pins - Hospitality mode reset problem - No sound on channel 6 via headphone	A10AN2-1.5	9965 000 07285		
A10A AA	AP-NTSC (61), non-TXT, CC	From Wk126 and higher	SAA5645	A10AN2-1.5	9965 000 07285	No	White line is seen in DVD 16:9 mode	-	-		
A10A AA	AP PAL/Multi (57, /69, /79), 100pg	From Wk041 and higher	SAA5667	A10ADT1-1.0	9965 000 07286	No	Initial version	A10ADT1-1.5	9965 000 07286		

Software survey

SOFTWARE SURVEY									
CHASSIS	FAMILY	PRODUCTION CODE	UP TYPE/VERSION	IDENT	SERVICE CODE	HOTEL MODE ?	REMARKS TYPICAL FOR THIS SOFTWARE	IDENT	REPLACED BY SERVICE CODE
A10A AA	AP PAL/Multi (/57, /69, /79) 100pg TXT, DVD-combi	From Wk044 and higher	SAAS667	A10ADT1-1.1	9965 000 07286	No	Headphone mute when RF has no signal - "X" not shown when RC5 INCR. SUERR pressed in DVD mode	A10ADT1-1.5	9965 000 07286
A10A AA	AP PAL/Multi (/57, /69, /79) 100pg	From Wk111 and higher	SAAS667	A10ADT1-1.4	9965 000 07286	No	Dark page subtitle problem - Shift down OSD from first row	A10ADT1-1.5	9965 000 07286
A10A AA	AP PAL/Multi (/57, /69, /79) 100pg	From Wk126 and higher	SAAS667	A10ADT1-1.5	9965 000 07286	No	White line is seen in DVD 16:9 mode.	-	-
A10E AA	W.Europe, 10 page TXT	Production start	SAAS565/M3	A10ET1-1.0	n.a.	No	Initial version	A10ET1-1.6	3111 250 54511
A10E AA	W.Europe, 10 page TXT	Production	SAAS565/M3	A10ET1-1.1	9352 677 14557	No		A10ET1-1.6	3111 250 54511
A10E AA	W.Europe, 10 page TXT	from Wk 032	SAAS565/M3	A10ET1-1.2	n.a.	No		A10ET1-1.6	3111 250 54511
A10E AA	W.Europe, 10 page TXT	from Wk 034	SAAS565/M3	A10ET1-1.3	9352 681 95857	No		A10ET1-1.6	3111 250 54511
A10E AA	W.Europe, 10 page TXT	from Wk 036	SAAS565/M3	A10ET1-1.4	3111 250 54511	No		A10ET1-1.6	3111 250 54511
A10E AA	W.Europe, 10 page TXT	from Wk	SAAS565/M3	A10ET1-1.6	3111 250 54511	No		A10ET1-1.6	3111 250 54511
A10E AA	W.Europe, 100 page TXT	Production start	SAAS667	A10EP1-1.1	n.a.	No		A10EP1-1.6	3111 250 54501
A10E AA	W.Europe, 100 page TXT	from Wk 036	SAAS667	A10EP1-1.3	3111 250 54501	No		A10EP1-1.6	3111 250 54501
A10E AA	W.Europe, 100 page TXT	from Wk 116	SAAS667	A10EP1-1.4	3111 250 54501	No		A10EP1-1.6	3111 250 54501
A10E AA	W.Europe, 100 page TXT	from Wk 116	SAAS667	A10EP1-1.6	3111 250 54501	No		-	-
A10E AA	E.Europe, 100 page TXT	Prod. start from Wk 040	SAAS667	A10EP2-1.0	9965 000 07287	No	Initial version	A10EP2-1.2	9965 000 07287
A10E AA	E.Europe, 100 page TXT		SAAS667	A10EP2-1.2	9965 000 07287	No		-	-
A10E AA DPL	W.Europe, 100 page TXT	Prod. Start from Wk 039	SAAS667	A10ED1-1.0	9965 000 10425	No	Initial version	A10ED1-1.2	9965 000 10425
A10E AA DPL	W.Europe, 100 page TXT	Prod. Start from Wk 128	SAAS667	A10ED1-1.2	9965 000 10425	No	Initial version	-	-
A10E AA DPL	E.Europe, 100 page TXT		SAAS667	A10ED2-1.0	9965 000 07288	No		-	-
A10E AA DVD	W.Europe, 100 page TXT	Prod. Start from Wk 115	SAAS667	A10EDN1-1.1	9965 000 10426	No	Initial version	A10EDN1-1.3	9965 000 10426
A10E AA DVD	W.Europe, 100 page TXT	Prod. Start from Wk 126	SAAS667	A10EDN1-1.2	9965 000 10426	No		A10EDN1-1.3	9965 000 10426
A10E AA DVD	W.Europe, 100 page TXT	Prod. Start from Wk 133	SAAS667	A10EDN1-1.3	9965 000 10426	No		-	-
A10E AA DVD	W.Europe, 100 page TXT	Prod. Start from Wk 137	SAAS667	A10EDN1-1.5	9965 000 10426	No		-	-
A10E AA DVD+DPL	W.Europe, 100 page TXT	Prod. Start from Wk 135	SAAS667	A10EDD1-1.0	unknown	No	You will be informed soon as possible for the right codenumber	-	-
A10E AA DVD+DPL	E.Europe, 100 page TXT	Prod. Start from Wk 135	SAAS667	A10EVD1-1.0	unknown	No	You will be informed soon as possible for the right codenumber	-	-
A10-PTV2.0	AP		SAAS667	PTV 2AP1 V2.23	9965 000 11488	No	You will be informed soon as possible for the right codenumber	-	-
A10-PTV2.0	Taiwan/Philippines		SAAS667	PTV 3AP1 V2.23	9965 000 11489	No	You will be informed soon as possible for the right codenumber	-	-
A10-PTV2.0	Korea		SAAS667	PTV 3AP2 V2.24	9965 000 11514	No	You will be informed soon as possible for the right codenumber	-	-
A7H.1 AA	NON SYSTEM			V1.6	4822 209 15648	In installation menu		-	-
A7H.1 AA	SYSTEM			V2.6 (OTP)	4822 209 16322	In installation menu		-	-
A7H.1 AA	SYSTEM			V2.6 (mask)	4822 209 17272	In installation menu		-	-
A7H.1 AA on card				SW5.31	4822 209 17501		EPROM ITEM 7009 on SOCB board	-	4822 209 17272
A8.0A AA	PAL/Multi, TXT	From week 9904 onwards		A80PT1-2.6	4822 209 17199	No	Languages: English, Malay, Chinese. Sets: /69, /75, /79	-	-
A8.0A AA	PAL/Multi, TXT			A80PN1-2.9	4822 209 17469	No	Languages: English, Malay, Chinese. Sets: /57, /93	-	-
A8.0A AA	PAL/Multi, TXT	From week 9902 onwards		A80PN2-2.6	4822 209 17218	No	Languages: English, Arabic. Sets: /56	-	-
A8.0A AA	NTSC, 2CS			A80NG1-2.5	4822 209 17353	No	Languages: English, Hangul. Sets: /61	-	-
A8.0A AA	NTSC, BTSC			A80NB1-2.4	4822 209 17352	No	Languages: English, Taiwanese. Sets: /71	-	-
A8.0A AA	PAL/Multi, TXT	For set produced wk 0001 onwards, SV02 and above		A8 2AP3-0.3	9352 641 20112	No	Languages: English, Malay, Chinese. Sets: /69, /75, /79. This software is NOT compatible with previous chassis due to hardware change	-	-
A8.0A AA	PAL/Multi	For set produced wk 0001 onwards, SV02 and above		A8 1AP5-0.4	9352 640 35112	No	Languages: English, Malay, Chinese. Sets: /57, /93. This software is NOT compatible with previous chassis due to changes on hardware	-	-
A8.0A AA	PAL/Multi, TXT	For set produced wk 0001 onwards, SV02 and above		A8 1AP6-0.3	9352 640 58112	No	Languages: English, Arabic. Sets: /56. This software is NOT compatible with previous chassis due to changes on hardware	-	-
A8.0A AA	NTSC, BTSC	For set produced wk 0001 onwards, SV02 and above		A8 4AP3-0.4	9352 640 97112	No	Languages: English, Taiwanese. Sets: /71. This software is NOT compatible with previous chassis due to changes on hardware	-	-
A8.0A AA	NTSC, 2CS	For set produced wk 0011 onwards, BZ02 and above		A8 3AP3-0.1	9352 667 50112	No	Languages: English, Hangul. Sets: /61. This software is NOT compatible with previous chassis due to changes on hardware	-	-
A8.0A BA	PAL/Multi, TXT			A8 2AP2-0.4	9352 641 53112	No	Languages: English, Malay, Chinese. Sets: 29PT6231/69, 79	-	-
A8.0A BA	PAL/Multi, TXT			A8 2AP2-0.6	9352 668 26112	No	J) Teletext mode for AV-source: 2) Improvement on DW mode.	-	-
A8.0A BA	PAL/Multi, TXT			A8 1AP4-0.5	9352 641 10112	No	Languages: English, Malay, Chinese. Sets: 29PT6231/67	-	-
A8.0A BA	NTSC, 2CS			A8 3AP2-0.6	9352 644 99112	No	Languages: English, Hangul. Sets: 29PT6031/61	-	-
A8.0A BA	NTSC, BTSC			A8 4AP2-0.6	9352 639 46112	No	Languages: English, Taiwanese. Sets: 29PT6031/71	-	-

Software survey

SOFTWARE SURVEY									
CHASSIS	FAMILY	PRODUCTION CODE	IP TYPE/VERSION	IDENT	SERVICE CODE	HOTEL MODE ?	REMARKS TYPICAL FOR THIS SOFTWARE	IDENT	REPLACED BY SERVICE CODE
A8.0E AA	W.Eur. main controller			A80EP1-2.2	-	No	not for 16/9 [WSSB EXT1/2] problem, mono/stereo problem, no DST on Secam L	A80EP1-3.2	4822 209 17408
A8.0E AA	W.Eur. main controller			A80EP1-3.1	-	No	not for 4/3	A80EP1-3.2	4822 209 17408
A8.0E AA	W.Eur. main controller			A80EP1-3.2	4822 209 17408	No	for 4/3 & 16/9	A80EE1-1.2	3111 250 54411
A8.0E AA	W.Eur. TXT controller			SAA5262/149 (5262-3-24)	-	No	no Greek TXT, ACI problem (Belgium), WSSB problem (off air)	SAA5262/249	4822 209 17234
A8.0E AA	W.Eur. TXT controller			SAA5262/236 (5262-8-3)	-	No	no Spanish/Portugues	SAA5262/249	4822 209 17234
A8.0E AA	W.Eur. TXT controller			SAA5262/249 (5262-8-24)	4822 209 17234	No		-	-
A8.0E AA	E.Eur. main controller			A80EP2-2.0	-	No	not for 16/9 [WSSB EXT1/2] problem, mono/stereo problem, no DST on Secam L	A80EP2-2.7	9352 617 53112
A8.0E AA	E.Eur. main controller			A80EP2-2.2	-	No	not for 4/3, Nicam problem, Polish clock problem	A80EP2-2.7	9352 617 53112
A8.0E AA	E.Eur. main controller			A80EP2-2.7	9352 617 53112	No	for 4/3 & 16/9	-	-
A8.0E AA	E.Eur. main controller			SAA5262/235 (5262-3-9)	-	No	WSSB problem (off air), no French, Turkish, Hungarian TXT	SAA5262/235	4822 209 17233
A8.0E AA	E.Eur. TXT controller			SAA5262/141 (5262-3-9)	4822 209 17233	No		-	-
A8.0E AA	W.Eur. main controller			A80EE1-0.9	3111 250 54391	No	Only /00 and /01	A80EE1-1.2	3111 250 54411
A8.0E AA	W.Eur. main controller			A80EE1-1.2	3111 250 54411	No	Reducing contrast in 4/3 format with the right NVM contents.	-	-
A8.0L AA	Latam			A80L A1-1.9	-	No	Sets: /77	-	-
AASH1 AA	NON SYSTEM	PM00		V1.0	4822 209 13134	In installation menu		V1.4	4822 209 13134
AASH1 AA	NON SYSTEM	-		V1.4	4822 209 13134	In installation menu		V1.5	4822 209 13654
AASH1 AA	NON SYSTEM	-		V1.5	4822 209 13654	In installation menu	Replaces versions V1.0.. V1.4	V1.6	4822 209 15648
AASH1 AA	NON SYSTEM	-		V1.6	4822 209 15648	In installation menu			
AASH1 AA	SYSTEM	-		V2.2	4822 209 13653	In installation menu	Replaces versions V2.0.. V2.3		
AASH1 AA	SYSTEM	-		V2.4	4822 209 13653	In installation menu			
AASH1 AA	SYSTEM	-		V2.5	4822 209 13653	In installation menu			
AASH1 AA on card				DEMO 32K	4822 209 15466		EPROM ITEM 7009 on SCCB board		
AASH1 AA on card				DEMO 1.01	4822 209 16436		EPROM ITEM 7009 on SCCB board		
AASH1 AA on card				SW5.30	4822 209 16819		EPROM ITEM 7009 on SCCB board		
AASH1 AA on card				SW5.31	4822 209 17501		EPROM ITEM 7009 on SCCB board		
EM1A	1AP1 (/93)	From week 0037	SAA5647/HL/M1	EM11A1_1.3_02601	9965 000 07279	No		EM11A1_1.5_02631	9965 000 07279
EM1A	1AP1	From week 0042	SAA5647/HL/M1	EM11A1_1.5_02631	9965 000 07279	No		EM11A1_1.9_02771	9965 000 07279
EM1A	1AP1	From week 0102	SAA5647/HL/M1	EM11A1_1.9_02771	9965 000 07279	No		EM11A1_2.0_02871	3104 317 02871
EM1A	1AP1	From week 0105	SAA5647/HL/M1	EM11A1_2.0_02871	3104 317 02871	No		EM11A1_2.1_02921	3104 317 02921
EM1A	1AP1	From week 0109	SAA5647/HL/M1	EM11A1_2.1_02921	3104 317 02921	No		EM11A1_2.4_03261	3104 317 03261
EM1A	1AP1	From week 0128	SAA5647/HL/M1	EM11A1_2.4_03261	3104 317 03261	No			
EM1A	2AP1 (/57, /75, /79)	From week 0037	SAA5647/HL/M1	EM12A1_1.3_02611	3104 317 02611	No		EM12A1_1.6_02641	3104 317 02641
EM1A	2AP1	From week 0046	SAA5647/HL/M1	EM12A1_1.6_02641	3104 317 02641	No		EM12A1_1.9_02781	3104 317 02781
EM1A	2AP1	From week 0051	SAA5667/HL/M1	EM12A1_1.9_02781	3104 317 02781	No		EM12A1_2.0_02881	3104 317 02881
EM1A	2AP1	From week 0105	SAA5667/HL/M1	EM12A1_2.0_02881	3104 317 02881	No		EM12A1_2.1_02931	3104 317 02931
EM1A	2AP1	From week 0109	SAA5667/HL/M1	EM12A1_2.1_02931	3104 317 02931	No		EM12A1_2.4_03271	3104 317 03271
EM1A	2AP1	From week 0128	SAA5667/HL/M1	EM12A1_2.4_03271	3104 317 03271	No			
EM1A	2AP2 (/56, /69)	From week 0102	SAA5667/HL/M1	EM12A2_1.9_02791	3104 317 02791	No		EM12A2_2.0_02891	3104 317 02891
EM1A	2AP2	From week 0105	SAA5667/HL/M1	EM12A2_2.0_02891	3104 317 02891	No		EM12A2_2.4_03281	3104 317 03281
EM1A	2AP2	From week 0128	SAA5667/HL/M1	EM12A2_2.4_03281	3104 317 03281	No			
EM1A-NTSC	3AP1 (Taiwan, /71)	From week 0133	SAA5677/HL/M1	EM13A1_1.1_03321	3104 317 03321	No		EM13A1_1.2_03351	3104 317 03351
EM1A-NTSC	3AP1	From week 0134	SAA5677/HL/M1	EM13A1_1.2_03351	3104 317 03351	No		EM13A1_1.3_03371	3104 317 03371
EM1A-NTSC	3AP1	From week 0135	SAA5677/HL/M1	EM13A1_1.3_03371	3104 317 03371	No			
EM1A-NTSC	3AP2 (Korea, /61)	From week 0133	SAA5677/HL/M1	EM13A2_1.1_03331	3104 317 03331	No		EM13A2_1.2_03361	3104 317 03361
EM1A-NTSC	3AP2	From week 0134	SAA5677/HL/M1	EM13A2_1.2_03361	3104 317 03361	No		EM13A2_1.3_03381	3104 317 03381
EM1A-NTSC	3AP2	From week 0135	SAA5677/HL/M1	EM13A2_1.3_03381	3104 317 03381	No			
EM1L	1LT1 (/77)	From week 0126	SAA5677/HL/M1	EM11L1_1.1_03401	3104 317 03401	No			
EM1L	2LT1 (/44, /55, /78)	From week 0136	SAA5677/HL/M1	EM12L1_1.2_03411	3104 317 03411	No			
N8	2US1 (/17)	From week 0126	SAA5677/HL/M1	EM12U1_2.0_03251	3104 317 03251	No		EM12U1_2.1_03291	3104 317 03291
N8	2US1	From week 0132	SAA5677/HL/M1	EM12U1_2.1_03291	3104 317 03291	No		EM12U1_2.2_03391	3104 317 03391
N8	2US1	From week 0135	SAA5677/HL/M1	EM12U1_2.2_03391	3104 317 03391	No			

Software survey

SOFTWARE SURVEY

CHASSIS	FAMILY	PRODUCTION CODE	UP TYPE/VERSION	IDENT	SERVICE CODE	HOTEL MODE ?	REMARKS TYPICAL FOR THIS SOFTWARE	IDENT	REPLACED BY SERVICE CODE
EM1	FBX	From week 0007		EMG_REP1_02221	3104 317 42221	No			
EM1	FBX	From week 0012		EMG_REP2_02341	3104 317 42341	No			
EM1	FBX	From week 0027		EMG_REP3_02491	3104 317 42491	No	For EM1A use 3104 317 42991. For EM1L and EM1A-NTSC use 3104 317 42741		
EM1L, EM1A-NTSC	FBX	From week 0042		EMG_RMERGE1_02741	3104 317 42741	No			
EM1A	FBX	From week 0112		EMG_RMERGE2_02991	3104 317 42991	No			
N8	FBX			EMG_RMERGE3_03241	3104 317 43241	No			
EM2E	uP	Production start (AG00)		EM2E11.0_02211	9965 000 07280	No	Solution for: EPG problem, wrong surround-mode indication, blank & mute at start-up, MSP option string adapted for introduction of DBE.		9965 000 07280
EM2E	uP	From week 0014		EM2E11.1_02331	9965 000 07280	No			9965 000 07280
EM2E	uP	From week 0015		EM2E11.2_02371	9965 000 07280	No	Acoustical settings FL12-cabinet, solution for error with default objects.		9965 000 07280
EM2E	uP	From week 0016		EM2E11.3_02381	9965 000 07280	No	Solution for: Tuner_prot, HFB_prot and Flash_prot does not work, wrong errorcode (5 iso 4) when no sv, EPG Dual Screen shifted too much upward.		9965 000 07280
EM2E	uP	From week 0021		EM2E11.4_02391	9965 000 07280	No	Solution for: unpredictable start-up behaviour after STBY, Italian menu translation, last status preset not recalled, several EPG/TXT problems.		9965 000 07280
EM2E	uP	From week 0025		EM2E11.5_02431	9965 000 07280	No	Solution for: no wake-up via PC, display of operation hours, DBE settings added, separate IF AFC adjustment added for SECAM L, problem with manual channel search, EPG2 intro-up, SW made compatible for HOP-N3.		9965 000 07280
EM2E	uP	From week 0034		EM2E11.6_02521	9965 000 07280	No	Solution for: blocked set going to TXT Dual Screen. Options adapted for Real Flat and acoustical settings added for FL9DA5 and FL12RF.		9965 000 07280
EM2E	uP	From week 0104		EM2E11.7_02531	9965 000 07280	No	Solution for: blocked set going to TXT Dual Screen. Options adapted for Real Flat and acoustical settings added for FL9DA5 and FL12RF.		9965 000 07280
EM2E	uP	From week 0116		EM2E11.8_02971	9965 000 07280	No	Solution for: headphone volume problem, hollow image in TXT-DS, store LS vertical shift. Several improvements for channel search and ACI, blanking in 4:3 mode.		
EM2E	uP	From week 0119 (AG23)		EM2E11.9_03061	3104 317 03061	No	Only for RF sets (AG23). Solution for: vertical shift problem and moiré.		
EM2	FBX	Production start (0012)		EMG_REP2_02341	3104 317 42341	No			
EM3E	uP	Production start (0124)		EM3E11.0-03041	3104 317 03041	No	Some bugs solved in the 'Double lines' mode.	EM3E11.2-03311	3104 317 03311
EM3E	uP	From week 0133		EM3E11.2-03311	3104 317 03311	No		EM3E11.3-03431	3104 317 03431
EM3E	uP	From week 0137		EM3E11.3-03431	3104 317 03431	No	Two I2C-busses i.s.o. one. Set Typenumber in CSM_CSM-entry via I23654-code		
EM3E	FBX	Production start (0106)		EMGS2FMFBX RN	3104 317 42951	No			
F21RE	Ebox-SSP			F21RE1_1.0_V00247	3122 357 40247				
F21RE	Ebox-FBX			V1.3	3122 357 40134				
FM23	Monitor-OTC			FM23GB-1.2-00273	3122 357 00273				
FM23	Monitor-P.W			FM23GB-1.2-00263	3122 357 00263				
FM23	Monitor-EPLD			FM23GB1000023	3122 357 00283				
FM23	Monitor-DDC 7904				3122 357 00301				
FM23	Monitor-DDC 7907				3122 357 00311				
FTV1.5A	Asian Pacific			3104 317 01060	-	No	Picture mute disabled for extensions, teletext can not be activated on DK channels, local volume bar added, smart settings adapted, several faults fixed for NICAM-D implementation, faults fixed in Chinese OSD	V_3104 317 01290	4822 900 11273
FTV1.5A	Asian Pacific	From week 9826 and higher		3104 317 01290	-	No	MD2.2 solution for avoiding strange teletext characters after power-up, comb filter is disabled for AV3 to solve MacroVision problems, two digit start-up at first favourite now correct, DNR of a preset no longer reset by multi-pip	V_3104 317 01400	4822 900 11273
FTV1.5A	Asian Pacific	From week 9830 and higher		3104 317 01400	-	No	Picture no longer jumping during multi PIP scan, DNR no longer affected by switching off double window, english translation of sound styles now consistent with Chinese text, option number changed; standby toggle on, name recognition off (option 6 = 07191).	V_3104 317 01530	4822 900 11273
FTV1.5A	Asian Pacific	From week 9842 and higher		3104 317 01530	4822 900 11273	No	TXI software upgraded to MD2.2 situation, wrong interpretation of TXT language bits solved and wrong viewmode change Super Wide into Widescreen	-	-
FTV1.5E	Europe			3104 317 00830	-	No	First 100 sets	V_3104 317 00970	4822 900 11192
FTV1.5E	Europe	From week 9744 and higher		3104 317 00870	-	No	Start production	V_3104 317 00990	4822 900 11192
FTV1.5E	Europe	From week 9748 and higher		3104 317 00890	-	No		V_3104 317 01150	4822 900 11192
FTV1.5E	Europe	From week 9819 and higher		3104 317 01150	-	No	Full spec	V_3104 317 01200	4822 900 11192
FTV1.5E	Europe	From week 9822 and higher		3104 317 01200	-	No	MD2.2 solution for avoiding strange teletext characters after power-up	V_3104 317 01260	4822 900 11192

Software survey

SOFTWARE SURVEY									
CHASSIS	FAMILY	PRODUCTION CODE	UP TYPE/VERSION	IDENT	SERVICE CODE	HOTEL MODE ?	REMARKS TYPICAL FOR THIS SOFTWARE	REPLACED BY IDENT	SERVICE CODE
FTV1.5E	Europe	From week 9826 and higher		3104 317 01260	-	No	Two digit start-up at first favourite now correct, correct restore of aspect ratio after multi-pip on a PAL+ channel, DNR of a preset no longer reset by multi-pip	V_3104 317 01510	4822 900 11192
FTV1.5E	Europe	From week 9842 and higher		3104 317 01510	4822 900 11192	No	Wrong interpretation of TXT language bits, aspect ratio problem, DNR switched off after scan/finish, blanking of a program after leaving stay and previous viewmode after multi pip gives strange effects solved.	-	-
FTV1.5E	East Europe	From week 9912 and higher		3104 317 01640	4822 900 11325	No		-	-
FTV1.5U	USA			3104 317 00910	-	No	Trial run sets	V 3104 317 01010	4822 209 16212
FTV1.5U	USA	From week 9809 and higher		3104 317 01010	4822 209 16212	No	Pre production sets, V2.2	V 3104 317 01120	4822 900 11244
FTV1.5U	USA	From week 9826 and higher		3104 317 01280	-	No	Full spec	V_3104 317 01280	4822 900 11244
FTV1.5U	USA	From week 9826 and higher		3104 317 01280	-	No	MD2.2 solution for avoiding strange teletext characters after power-up, comb filter is disabled for A/V3 to solve MacroVision problems, two digit start-up at first favourite now correct, DNR of a preset no longer reset by multi-pip	V_3104 317 01540	4822 900 11244
FTV1.5U	USA	From week 9842 and higher		3104 317 01540	4822 900 11244	No	TXT software upgraded to MD2.2 situation, wrong interpretation of TXT language bits solved and wrong viewmode change Super Wide into Widescreen	-	-
FTV1.9DE	Monitor	Start production	EPC1441 PC8	F19DW2.0_00071	3122 357 40021	No	PDP-Limesco position 7357	F19DW2.0_00074	3122 357 40024
FTV1.9DE	Monitor	AG01 and higher	EPC1441 PC8	F19DW2.0_00072	3122 357 40022	No	PDP-Limesco position 7357	F19DW2.0_00074	3122 357 40024
FTV1.9DE	Monitor	AG02 and higher, week 9948 and higher	EPC1441 PC8	F19DW2.0_00074	3122 357 40024	No	PDP-Limesco position 7357, introduction Y/C panel - not in TV configuration	F19DW2.0_00075	3122 357 40025
FTV1.9DE	Monitor	AG06 and higher, week 0018 and higher	EPC1441 PC8	F19DW2.0_00075	3122 357 40081	No	PDP-Limesco position 7357 - only in TV configuration	-	-
FTV1.9DE	Monitor	AG07 and higher	EPC1441 PC8	F19DW2.0_00075	3122 357 40025	No	PDP-Limesco position 7357 - introduction SW for Monitor- & TV-configuration	-	-
FTV1.9DE	Monitor	Start production	PC87C695AER/C1	F19DE11.1_00062	3122 357 40042	No	MUP Panel .1 version - position 7001	F19DE12.0_00063	3122 357 40043
FTV1.9DE	Monitor	AG02 and higher, week 9948 and higher	PC87C695AER/C1	F19DE12.0_00063	3122 357 40043	No	MUP Panel .2 version - position 3018 added - to be used with PDP-OTP 3122 357 40024	F19DE12.1_00064	3122 357 40044
FTV1.9DE	Monitor	From week 9950 and higher	PC87C695AER/C1	F19DE12.1_00064	3122 357 40044	No	Only for monitors - to be used with PDP OTP 3122 357 40024, improvement of introduction SW for Monitor- & TV-config, SW with option numbers for Y/C board and sound enable available	F19DE12.1_00065	3122 357 40045
FTV1.9DE	Monitor	AG06 and higher, week 0018 and higher	PC87C695AER/C1	F19DE12.1_00065	3122 357 40045	No	Update for Marantz & 16:9 aspect ratio	F19DE14.0_00066	3122 357 40046
FTV1.9DE	Monitor	AG07 and higher, week	PC87C695AER/C1	F19DE14.0_00066	3122 357 40046	No		-	-
FTV1.9DE	Monitor	Production start (9935)	M24C16-BN6	EAROM_00091	3122 357 40051	No	AVC position 7400	EAROM_00092	3122 357 40052
FTV1.9DE	Monitor	From week 9948	M24C16-BN6	EAROM_00092	3122 357 40052	No	AVC position 7400 - AG02 code - introduction Y/C panel	EAROM_00095	3122 357 40055
FTV1.9DE	Monitor	From week 0018	M24C16-BN6	EAROM_00095	3122 357 40055	No	AVC position 7400 - AG06 code - introduction SW for Monitor- & TV-config.	-	-
FTV1.9EE	E-Box, FBX4			FBX4V1.5	3104 317 01211	No		FTV1.9_00112	3122 357 40062
FTV1.9EE	E-Box, FBX6			FTV1.9_00111	3122 357 40061	No		FTV1.9_00112	3122 357 40062
FTV1.9EE	E-Box, FBX6			FTV1.9_00112	3122 357 40062	No		-	-
FTV1.9EE	E-Box, FBX4 - West Europe	Start production	M27C801-100F1	F19EE11.2_00052	3122 357 40032	No	MUP Panel	F19EE11.3_00054	3122 357 40034
FTV1.9EE	E-Box, FBX4 - West Europe	AG01 and higher, week 9948 and higher	M27C801-100F1	F19EE11.2_00053	3122 357 40033	No		F19EE11.3_00054	3122 357 40034
FTV1.9EE	E-Box, FBX4 - West Europe	AG02 and higher, week 0018 and higher	M27C801-100F1	F19EE11.3_00054	3122 357 40034	No	Solved switching problem between 2CS and NICAM	F19EE4.0_00055	3122 357 40035
FTV1.9EE	E-Box, FBX6 - West Europe		M27C801-100F1	F19EE4.0_00055	3122 357 40035	No	SSP position 7202 - /125 /195 /68S	-	-
FTV1.9EE	E-Box, FBX6 - East Europe		M27C801-100F1	F19EC4.1_00201	3122 357 40111	No	SSP position 7202 - /58S	-	-
FTV1.9EE	E-Box, FBX6 - West Europe		M27C801-100F1	F19EE4.1_00211	3122 357 40121	No	SSP position 7202 - /125 & /195	-	-
FTV1.9EE	E-Box - USA		M27C801-100F1	F19EU12.0_00141	3122 357 40071	No	To be used in combination with monitor software from AG06	F19EU12.1_00143	3122 357 40073
FTV1.9EE	E-Box - USA		M27C801-100F1	F19EU12.0_00142	3122 357 40072	No	To be used in combination with monitor software from AG06	F19EU12.1_00143	3122 357 40073
FTV1.9EE	E-Box - USA	AG03 and higher, week 0022 and higher	M27C801-100F1	F19EU12.1_00143	3122 357 40073	No	To be used in combination with monitor software from AG06 - unwanted sound mulfing solved	F19EU14.1_00144	3122 357 40074
FTV1.9EE	E-Box - USA	Week 0040 and higher	M27C801-100F1	F19EU14.1_00144	3122 357 40074	No		-	-
FTV1.9EE	E-Box - AP		M27C801-100F1	F19EA13.0_00161	3122 357 40091	No		F19EA14.1_00163	3122 357 40093
FTV1.9EE	E-Box - AP		M27C801-100F1	F19EA14.1_00161	3122 357 40093	No		F19EM14.1_00182	3122 357 40102
FTV1.9EE	E-Box - Marantz		M27C801-100F1	F19EM14.1_00181	3122 357 40101	No		-	-
FTV1.9EE	E-Box - Marantz		M27C801-100F1	F19EM14.1_00182	3122 357 40102	No		-	-
GFL6D	PAL (multi)			PMPTV1-V3	-	No		PMPTV1-V4	4822 900 10961
GFL6D	PAL (multi)	Week 9707 and higher		PMPTV1-V4	4822 900 10961	No	Solution for convergence failures and introduction of watchdog timer solution for laser flash	-	-
GFL6D	PAL (multi)	Week 9708 and higher		PMPTV1-V5	4822 900 11092	No	Solution for convergence failures	-	-

Software survey

SOFTWARE SURVEY

CHASSIS	FAMILY	PRODUCTION CODE	UP TYPE/VERSION	IDENT	SERVICE CODE	HOTEL MODE ?	REMARKS TYPICAL FOR THIS SOFTWARE	REPLACED BY	
								IDENT	SERVICE CODE
GFL6D	Korea	-		KRPTV1-V1	-	No	-	KRPTV1-V1	4822 900 11168
GFL6D	Korea	-		KRPTV1-V2	4822 900 11168	No	-	-	-
GFL7D	West Europe 48"			3135 010 01630	4822 900 11213	No	-	-	-
GFL7D	East Europe 48"			3135 010 01640	4822 900 11214	No	-	-	-
GFL7D	Asian Pacific 48"			3135 010 01650	4822 900 11215	No	-	-	-
GFL7D	Asian Pacific 54"			3135 010 01660	4822 900 11216	No	-	-	-
GFL7D	Latam 54"			3135 010 01680	4822 900 11247	No	-	-	-
GFL7D	Europe & AP	TD03 or higher		4822 900 11251	4822 900 11251	No	Blue CRT correction	-	-
L01.1A/L01.2A	Middle East - No Text			TDA9582_L01AN21.0	9352 693 98557			-	-
L01.1A/L01.2A	Spore. NZ. Aust - 10 page Text			TDA9565_L01AT11.3	9352 693 77557			TDA9565_L01AT11.6	9352 693 77557
L01.1A/L01.2A	Spore. NZ. Aust - 10 page Text			TDA9585_L01AT11.6	9352 693 77557			-	-
L01.1A/L01.2A	Spore. NZ. Aust - 10 page Text			TDA9567_L01AT11.6	9352 693 81557			-	-
L01.1A/L01.2A	Middle East - 10 Page Text			TDA9565_L01AT21.0	9352 693 78557			TDA9565_L01AT21.2	9352 693 78557
L01.1A/L01.2A	Middle East - 10 Page Text			TDA9585_L01AT21.2	9352 693 78557			-	-
L01.1A/L01.2A	Middle East - 10 Page Text			TDA9567_L01AT21.2	9352 693 82557			-	-
L01.1E	West Europe - 10 Page Text	Wk120.2 or higher	TDA9565/N1/5/0381	TDA9565_L01EF11.7	9352 693 80557			TDA9565_L01EF11.9	9352 698 96557
L01.1E	West Europe - 10 Page Text	Wk124.4 or higher	TDA9565/N1/5/0466	TDA9565_L01EF11.9	9352 698 96557			-	-
L01.1E	West Europe - 10 Page Text	Wk140.3 or higher	TDA9565/N1/5/0579	TDA9565_L01EF21.2	9352 704 35557			-	-
L01.1E	East Europe - 10 Page Text	Wk120.2 or higher	TDA9563/H/N1/5/0377	TDA9563_L01EF21.5	9352 693 76557			TDA9563_L01EF21.7	9352 698 98557
L01.1E	East Europe - 10 Page Text	Wk124.4 or higher	TDA9563/H/N1/5/0468	TDA9563_L01EF21.7	9352 698 96557			-	-
L01.1E	East Europe - 10 Page Text	Wk140.3 or higher	TDA9563/H/N1/5/0582	TDA9563_L01EF21.7	9352 704 35557			-	-
L01.2E	West Europe - 10 Page Text	Wk120.2 or higher	TDA9561/H/N1/5/0375	TDA9561_L01EF11.7	9352 693 74557			TDA9561_L01EF11.9	9352 698 97557
L01.2E	West Europe - 10 Page Text	Wk124.4 or higher	TDA9561/H/N1/5/0467	TDA9561_L01EF11.9	9352 698 97557			-	-
L01.2E	West Europe - 10 Page Text	Wk140.3 or higher	TDA9561/H/N1/5/0581	TDA9561_L01EF12.2	9352 704 34557			-	-
L01.2E	West Europe - 10 Page Text	Wk120.2 or higher	TDA9567/H/N1/5/0385	TDA9567_L01EF11.7	9352 693 87557			TDA9567_L01EF11.9	9352 698 95557
L01.2E	West Europe - 10 Page Text	Wk124.4 or higher	TDA9567/H/N1/5/0465	TDA9567_L01EF11.9	9352 698 95557			-	-
L01.2E	West Europe - 10 Page Text	Wk140.3 or higher	TDA9567/H/N1/5/0580	TDA9567_L01EF21.2	9352 704 35557			-	-
L01.2E	East Europe - 10 Page Text	Wk120.2 or higher	TDA9561/H/N1/0376	TDA9561_L01EF21.5	9352 693 75557			TDA9561_L01EF21.7	9352 698 99557
L01.2E	East Europe - 10 Page Text	Wk124.4 or higher	TDA9561/H/N1/0469	TDA9561_L01EF21.7	9352 698 95557			-	-
L01.2E	East Europe - 10 Page Text	Wk140.3 or higher	TDA9561/H/N1/0578	TDA9561_L01EF22.2	9352 704 31557			-	-
L01H.1E	EU		TDA9555/H/N1/3/0608	L01HE1-1.0	9352 706 23557			-	-
L01H.2E	EU		TDA9552/H/N1/3/0607	L01HE1-1.0	9352 706 22557			-	-
L6.1 AA	No TXT	9612		L6NOTXT-1.0		No		L6NOTXT-2.0	4822 209 13085
L6.1 AA	No TXT	9642		L6NOTXT-2.0	4822 209 13085	Yes	Only 3 keys styling	-	-
L6.1 AA	No TXT	9726		L6NOTXT-2.1	4822 209 16953	Yes	Option 3/4 keys styling	-	-
L6.1 and L6.2 AA	1P TXT Mono Europe	9625	SAAS290ZP/039	L6TMTMEU-1.0				L6TMOEU-1.1	4822 209 15954
L6.1 and L6.2 AA	1P TXT Mono Europe			L6TMTMOEU-1.1	4822 209 14646	Yes		L6TMOEU-1.1	4822 209 15954
L6.1 and L6.2 AA	1P TXT Mono Europe	9729	SAAS290ZP/072	L6TMOEU-1.1	4822 209 15954	Yes	Option 3/4 keys styling	-	-
L6.1 and L6.2 AA	1P TXT Mono Europe	9840	SAAS290ZP/128	L6TMOEU-1.2	4822 209 17409	Yes	New MSA technology	-	-
L6.1 and L6.2 AA	1P TXT FLOF Mono Europe	9805	SAAS290ZP/083	L6M1FE-1.0		Yes		L6M1FE-1.1	4822 209 16832
L6.1 and L6.2 AA	1P TXT FLOF Mono Europe	9815	SAAS290ZP/113	L6M1FE-1.1	4822 209 16832	Yes	New MSA technology	-	-
L6.1 and L6.2 AA	1P TXT Stereo 2CS	9642	SAAS290ZP/057	L6TMTSTE-1.0	4822 209 15426	No	Only 3 keys styling	-	-
L6.1 and L6.2 AA	1P TXT Nicam EUR	9642	SAAS290ZP/055	L6TMTNIC-1.1			Only for 3 keys styling	L6TMOEU-1.1	4822 209 15955
L6.1 and L6.2 AA	1P TXT Nicam EUR	9729	SAAS290ZP/075	L6TMOEU-1.2	4822 209 15955	No	Option 3/4 keys styling	-	-
L6.1 and L6.2 AA	1P TXT Mono Greek/Turk	9634	SAAS290ZP/050	L6TMTMEU-1.0			Only for 3 keys styling	L6TMOGT-1.1	4822 209 15962
L6.1 and L6.2 AA	1P TXT Mono Greek/Turk	9729	SAAS290ZP/074	L6M0GT-1.1	4822 209 15962	Yes	Option for 3/4 keys styling	-	-
L6.1 and L6.2 AA	1P TXT Nicam Greek/Turk	9720	SAAS290ZP/070	L6TMTNICGT-1.1	4822 209 15953	No	Only for 3 keys styling	-	-
L6.1 and L6.2 AA	1P TXT Nicam Greek/Turk	9729	SAAS290ZP/076	L6TMTNICGT-1.2	4822 209 15956	No	Option for 3/4 keys styling	-	-

Software survey

SOFTWARE SURVEY										
CHASSIS	FAMILY	PRODUCTION CODE	IP TYPE/VERSION	IDENT	SERVICE CODE	HOTEL MODE ?	REMARKS TYPICAL FOR THIS SOFTWARE	IDENT	REPLACED BY	SERVICE CODE
L6.1 and L6.2 AA	1P TXT Mono Cyrillic	9722	SAAS290ZP/040	L6TXIMEU-1.0	4822 209 15694	Yes	Only for 3 key styling	L6TMOCY-1.1		4822 209 15961
L6.1 and L6.2 AA	1P TXT Mono Cyrillic	9729	SAAS290ZP/073	L6TMOCY-1.1	4822 209 15961	Yes	Option for 3/4 keys styling			
L6.3 AA	10P TXT Europe Nicam	9819	SAAS290ZP/095	L6N10E-1.0	4822 209 16928	No	2 scars			
L6.3 AA	10P TXT Europe Nicam	9835	SAAS290ZP/217	L6N10E-1.1	4822 209 17219	No	ESD and searching speed impr.			
L6.3 AA	10P TXT Europe Nicam		SAAS290ZP/219	L6N10E-2.0	9352 621 61112	No	2 scars multi-system (OEM)			
L7.1A	VST 1P TXT			SAAS290ZP	4822 209 14646			SAAS290ZP/068		4822 209 15699
L7.1A	Pal / multi TXT			SAAS290ZP/068	4822 209 15699	Yes		SAAS290ZP/068		4822 209 15699
L7.1A	PAL Non TXT VST			P083C055BBP/173	4822 209 15562	Yes				
L7.1A	PLL NON TXT NTSC			P083C055BBP/177	4822 209 15563	Yes		P83C055BBP/191		4822 209 17344
L7.1A	L7.1A			P83C055BBP/191	4822 209 17344	Yes				
L7.1A	PLL N TXT LATAM			P083C055BBP/179	4822 209 15564	Yes		P083C055BBP/188		4822 209 16168
L7.1A	PLL NTSC			P083C055BBP/179	4822 209 15564	Yes				
L7.1A	VST-N TXT GH OSD			P083C055BBP/183	9352 612 46112	Yes				
L7.1A	VST-N TXT IND			P083C055BBP/308	9352 627 86112	Yes				
L7.1A	VST-IP TXT RUS			SAAS290ZP/077	4822 209 15838	Yes				
L7.2A	PAL/MULTI TXT			SAAS297PS/054	4822 209 16173		See Manual L7.2E AA			
L7.2A	PAL/MULTI NO TXT			P83C666BDR/011	4822 209 16178		See Manual L7.2E AA			
L7.2A	LATAM			P83C666BDR/017	4822 209 16715	Chapter 5				
L7.2A	NTSC			P83C666BDR/013	4822 209 16255	Yes		P83C666BDR/028		9965 000 08472
L7.2A	PLL-NON TXT A/P ITV			P87C766BDR/01	4822 209 15831	Yes				
L7.2A	L7.2A			P83C666BDR/028	9965 000 08472	Yes				
L7.2A	PLL (LAT)CC A/P			P83C570AAR/039	9352 624 56112	Yes				
L7.2A	PLL TOP TXT A/P (ITV)			SAAS297PS/239	9352 629 63112	Yes				
L7.2E	EUROPE WEST			SAAS297PS/044	4822 209 16325		See Manual L7.2E AA			
L7.2E	CYRILIC			SAAS297PS/048	4822 209 16333		See Manual L7.2E AA			
L7.2E	GREEK/TURK			SAAS297PS/057	4822 209 16332		See Manual L7.2E AA			
L7.2E	EUROPE EAST			SAAS297PS/060	4822 209 16435		See Manual L7.2E AA			
L7.2E	EUROPE WEST			SAAS297PS/082	4822 209 17181		See Manual L7.2E AA			
L7.2E	CYRILIC			SAAS297PS/061	4822 209 17334		See Manual L7.2E AA			
L7.2E	EUROPE WEST			SAAS297PS/206	4822 209 17222		See Manual L7.2E AA			
L7.2E	EUROPE EAST			SAAS297PS/214	4822 209 17388		See Manual L7.2E AA			
L7.2E	GREEK/TURK			SAAS297PS/215	4822 209 17368		See Manual L7.2E AA			
L7.3A	PLL ITV NON TXT			P87C766BDR/01	4822 209 15831	YES				
L7.3A	VST N TXT 25/29 A/P			P83C366BDR/016	4822 209 16459	YES				
L7.3A	PLL NON TXT NTSC			P87C770AAR/40	4822 209 16308	YES				
L7.3A	L7.3A			P83C366BDR/020	9352 615 36112	Yes				
L7.3A	PLL NON TXT /61R			P83C366BDR/023	9352 617 26112	YES	replaced by OTP			9965 000 08473
L7.3A	VST NON TXT 25/29/56A			P83C366BDR/024	9352 617 76112	YES	replaced by OTP			9965 000 08474
L7.3A	VST10P PAL/NTSC 25/29/AP			SAAS297PS/209	4822 209 17343	YES				
L7.3A	VST NON TXT 25/29/74R			P83C366BDR/025	9352 618 03112	YES	replaced by OTP			9965 000 08475
L7.3A	PLL-CC LATAM			P83C570AAR/038	9352 623 52112	YES	replaced by OTP			9965 000 08477
L7.3A	VST NON TXT 67			P83C566BDR/029	9352 627 96112	YES	replaced by OTP			9965 000 08476
L7.3A	PLL ITV TXT A/P			SAAS297PS/239	9352 629 63112	YES				
L9.1A/L9.2A	Non-Text (English, Malay, S.	Wk904.1 or higher	SAAS542PS/M2/017	L90AN1-1.0	4822 209 17538	No	Only suitable in combination with ST24W08CB1 (4822 209 13052)	L90AN1-1.1		9352 640 98112
L9.1A/L9.2A	Non-Text (English, Malay, S.	Wk927.2 or higher	SAAS542PS/M2/060	L90AN1-1.1	9352 640 96112	No	Only suitable in combination with ST24W08CB1 (4822 209 13052)	L90AN1-1.1		9352 645 12112
L9.1A/L9.2A	Non-Text (English, Malay, S.	Wk936.5 or higher	SAAS542PS/M2/1060	L90AN1-1.1	9352 645 24112	No	Only suitable in combination with ST24W08CB1 (4822 209 13052)	L90AN1-1.3		9353 669 24112
L9.1A/L9.2A	Non-Text (English, Malay, S.	Wk951.4 or higher	SAAS542PS/M4/161	L90AN1-1.3	9352 669 24112	No		N.A.		N.A.
L9.1A/L9.2A	Non-Text (English, Arabic)	Wk928.5 or higher	SAAS542PS/M2/065	L90AN2-1.0	9352 641 66112	No	Only suitable in combination with ST24W08CB1 (4822 209 13052)	L90AN2-1.0		9352 653 69112
L9.1A/L9.2A	Non-Text (English, Arabic)	Wk939.5 or higher	SAAS542PS/M4/1065	L90AN2-1.0	9352 653 69112	No	Only suitable in combination with ST24W08CB1 (4822 209 13052)	L90AN2-1.2		9352 673 23112
L9.1A/L9.2A	Non-Text (English, Arabic)	Wk008.5 or higher	SAAS542PS/M4/193	L90AN2-1.2	9352 673 23112	No		N.A.		N.A.

Software survey

SOFTWARE SURVEY

CHASSIS	FAMILY	PRODUCTION CODE	uP TYPE/VERSION	IDENT	SERVICE CODE	HOTEL MODE ?	REMARKS TYPICAL FOR THIS SOFTWARE	REPLACED BY SERVICE CODE
L9.1A/L9.2A	Non-Text (English, Thai)	Wk915.5 or higher	SAA5542PS/M2/042	L90AN3-1.0	9352 637 12112	No	Only suitable in combination with ST24W08CB1 (4822 209 13052)	L90AN3-1.1
L9.1A/L9.2A	Non-Text (English, Thai)	Wk930.5 or higher	SAA5542PS/M2/072	L90AN3-1.1	9352 642 25112	No	Only suitable in combination with ST24W08CB1 (4822 209 13052)	9352 642 25112
L9.1A/L9.2A	Non-Text (English, Thai)	Wk939.5 or higher	SAA5542PS/M4/1072	L90AN3-1.2	9352 653 71112	No	Only suitable in combination with ST24W08CB1 (4822 209 13052)	9352 653 71112
L9.1A/L9.2A	Non-Text (English, Thai)	Wk944.1 or higher	SAA5542PS/M4/136	L90AN3-1.2	9352 664 04112	No	Only suitable in combination with ST24W08CB1 (4822 209 13052)	9352 664 04112
L9.1A/L9.2A	Non-Text (English, Thai)	Wk011.5 or higher	SAA5542PS/M4/204	L90AN3-1.3	9352 674 90112	No	Only suitable in combination with ST24W08CB1 (4822 209 13052)	9352 674 90112
L9.1A/L9.2A	Non-Text (English, Thai)	Wk015.1 or higher	SAA5542PS/M4/213	L90AN3-1.4	9352 676 20112	No		N.A.
L9.1A/L9.2A	Non-Text (English, Hindi)	Wk913.3 or higher	SAA5542PS/M2/040	L90AN4-1.1	9352 636 66112	No	Only suitable in combination with ST24W08CB1 (4822 209 13052)	9352 645 14112
L9.1A/L9.2A	Non-Text (English, Hindi)	Wk938.5 or higher	SAA5542PS/M2/1040	L90AN4-1.1	9352 645 14112	No	Only suitable in combination with ST24W08CB1 (4822 209 13052)	9352 670 07112
L9.1A/L9.2A	Non-Text (English, Hindi)	Wk952.4 or higher	SAA5542PS/M4/164	L90AN4-1.2	9352 670 07112	No		N.A.
L9.1A/L9.2A	Text 10 page (English, Malay, S.)	Wk904.1 or higher	SAA5563PS/M2/018	L90AT1-1.0	4822 209 17597	No	Only suitable in combination with ST24W08CB1 (4822 209 13052)	9352 641 78112
L9.1A/L9.2A	Text 10 page (English, Malay, S.)	SAA5563PS/M2/068	L90AT1-1.1	L90AT1-1.1	9352 641 78112	No	Only suitable in combination with ST24W08CB1 (4822 209 13052)	9352 645 11112
L9.1A/L9.2A	Text 10 page (English, Malay, S.)	Wk938.5 or higher	SAA5563PS/M3/1068	L90AT1-1.1	9352 645 11112	No	Only suitable in combination with ST24W08CB1 (4822 209 13052)	9352 673 21112
L9.1A/L9.2A	Text 10 page (English, Malay, S.)	Wk008.5 or higher	SAA5563PS/M3/190	L90AT1-1.3	9352 673 21112	No		N.A.
L9.1A/L9.2A	Text 10 page (English, Arabic)	Wk912.5 or higher	SAA5563PS/M2/037	L90AT2-1.1	9352 636 28112	No	Only suitable in combination with ST24W08CB1 (4822 209 13052)	9352 638 43112
L9.1A/L9.2A	Text 10 page (English, Arabic)	Wk919.5 or higher	SAA5563PS/M2/049	L90AT2-1.1	9352 638 43112	No	Only suitable in combination with ST24W08CB1 (4822 209 13052)	9352 640 16112
L9.1A/L9.2A	Text 10 page (English, Arabic)	Wk925.1 or higher	SAA5563PS/M2/058	L90AT2-1.2	9352 640 16112	No	Only suitable in combination with ST24W08CB1 (4822 209 13052)	9352 653 80112
L9.1A/L9.2A	Text 10 page (English, Arabic)	Wk939.5 or higher	SAA5563PS/M3/1068	L90AT2-1.2	9352 653 80112	No	Only suitable in combination with ST24W08CB1 (4822 209 13052)	9352 673 22112
L9.1A/L9.2A	Text 10 page (English, Arabic)	Wk008.5 or higher	SAA5563PS/M3/192	L90AT2-1.4	9352 673 22112	No		N.A.
L9.1A/L9.2A	NTSC - Taiwan & Philippines	Wk913.4 or higher	SAA5543PS/M2/038	L90AC1-1.0	9352 636 39112	No	Only suitable in combination with ST24W08CB1 (4822 209 13052)	9352 639 84112
L9.1A/L9.2A	NTSC - Taiwan & Philippines	Wk923.5 or higher	SAA5543PS/M2/054	L90AC1-1.1	9352 639 94112	No	Only suitable in combination with ST24W08CB1 (4822 209 13052)	9352 653 72112
L9.1A/L9.2A	NTSC - Taiwan & Philippines	Wk939.5 or higher	SAA5543PS/M4/1064	L90AC1-1.2	9352 653 72112	No	Only suitable in combination with ST24W08CB1 (4822 209 13052)	9352 674 89112
L9.1A/L9.2A	NTSC - Taiwan & Philippines	Wk011.5 or higher	SAA5543PS/M4/203	L90AC1-1.4	9352 674 89112	No		N.A.
L9.1E/L9.2E	West Europe, Mono No. Text	Wk908.5 or higher	SAA5542/M2/028	L90EM1-1.0	9352 634 45112	Yes	Only suitable in combination with ST24W08CB1 (4822 209 13052)	9352 672 50112
L9.1E/L9.2E	West Europe, Mono No. Text	Wk931.5 or higher	SAA5542/M2/075	L90EM1-1.1	9352 642 43112	Yes	Only suitable in combination with ST24W08CB1 (4822 209 13052)	9352 672 50112
L9.1E/L9.2E	West Europe, Mono No. Text	Wk938.5 or higher	SAA5542/M2/120	L90EM1-1.2	9352 653 09112	Yes	Only suitable in combination with ST24W08CB1 (4822 209 13052)	9352 672 50112
L9.1E/L9.2E	West Europe, Mono No. Text	Wk939.5 or higher	SAA5542/M4/1120	L90EM1-1.2	9352 655 21112	Yes	Only suitable in combination with ST24W08CB1 (4822 209 13052)	9352 672 50112
L9.1E/L9.2E	West Europe, Mono No. Text	Wk007.3 or higher	SAA5542/M4/186	L90EM1-1.4	9352 672 50112	Yes	Only suitable in combination with ST24W08CB1 (4822 209 13052)	9352 672 50112
L9.1E/L9.2E	West Europe, Mono No. Text	Wk008.1 or higher	SAA5542/M4/186	L90EM1-1.5	9352 672 50112	Yes	When the front clinch is plugged out, the TV automatically switches to the corresponding scart.	N.A.
L9.1E/L9.2E	West Europe, Mono/Stereo 5p-xt	Wk908.5 or higher	SAA5060/M2/023	L90ET1-1.1	9352 634 40112	Yes	Only suitable in combination with ST24W08CB1 (4822 209 13052)	9352 640 13112
L9.1E/L9.2E	West Europe, Mono/Stereo 5p-xt	Wk924.3 or higher	SAA5060/M2/057	L90ET1-1.2	9352 640 13112	Yes	Only suitable in combination with ST24W08CB1 (4822 209 13052)	9352 645 57112
L9.1E/L9.2E	West Europe, Mono/Stereo 5p-xt	Wk937.1 or higher	SAA5060/M2/095	L90ET1-1.4	9352 645 57112	Yes	Only suitable in combination with ST24W08CB1 (4822 209 13052)	9352 653 77112
L9.1E/L9.2E	West Europe, Mono/Stereo 5p-xt	Wk939.5 or higher	SAA5060/M3/1095	L90ET1-1.4	9352 653 77112	Yes	Only suitable in combination with ST24W08CB1 (4822 209 13052)	9352 672 88112
L9.1E/L9.2E	West Europe, Mono/Stereo 5p-xt	Wk006.1 or higher	SAA5060/M3/788	L90ET1-1.6	9352 672 88112	Yes	Issues solved: Decoding of TV Polonia clock of the format HMM:SS (leading space instead of leading 0) before 1000 hours is supported. - Set goes into Compair mode only after video appears when AS=OFF. - When the user switches manually to AV, the statuses of Pin 8 transitions on both scart are ignored. New: - Improve NICAM reception algorithm, by auto forcing NICAM sound to mono on - Overvoltage trigger is disabled (Bimos PHD) for at least 120ms after power on, - Access to SDM during cold start by shorting Pin 1 of EEPROM ST24W0x is removed. Shorting of Pin 20 of Palmer (P0.6 for LED) during cold start will cause the software to enter SDM instead of SAM. (One can later toggle between SAM and SDM by pressing the local keys V- & P- simultaneously, this is an existing feature.) This change is to allow alternative types and sources of EEPROM to be used. (since L90ET-1.5)	N.A.
L9.1E/L9.2E	West Europe, Mono/Stereo 10p-xt	Wk902.5 or higher	SAA5564/M2/015	L90EF1-1.2	9352 631 76112	Yes	Only suitable in combination with ST24W08CB1 (4822 209 13052)	9352 634 42112
L9.1E/L9.2E	West Europe, Mono/Stereo 10p-xt	Wk908.5 or higher	SAA5564/M2/023	L90EF1-1.3	9352 634 42112	Yes	Only suitable in combination with ST24W08CB1 (4822 209 13052)	9352 639 79112
L9.1E/L9.2E	West Europe, Mono/Stereo 10p-xt	Wk923.2 or higher	SAA5564/M2/052	L90EF1-1.5	9352 639 79112	Yes	Only suitable in combination with ST24W08CB1 (4822 209 13052)	9352 645 56112
L9.1E/L9.2E	West Europe, Mono/Stereo 10p-xt	Wk934.5 or higher	SAA5564/M2/094	L90EF1-1.7	9352 645 56112	Yes	Only suitable in combination with ST24W08CB1 (4822 209 13052)	9352 653 78112
L9.1E/L9.2E	West Europe, Mono/Stereo 10p-xt	Wk939.5 or higher	SAA5564/M3/1094	L90EF1-1.7	9352 653 78112	Yes	Only suitable in combination with ST24W08CB1 (4822 209 13052)	9655 000 05400
L9.1E/L9.2E	West Europe, Mono/Stereo 10p-xt	Wk948.4 or higher	SAA5564/M3/1094	L90 EU31.6.21	9655 000 05400	Yes	see remarks L90ET1-1.6	9352 672 22112
L9.1E/L9.2E	West Europe, Mono/Stereo 10p-xt	Wk006.5 or higher	SAA5564/M3/181	L90EF1-1.9	9352 672 22112	Yes		N.A.
L9.1E/L9.2E	East Europe, Mono No. Text	Wk908.5 or higher	SAA5542/M2/027	L90EM2-1.0	9352 634 44112	Yes	Only suitable in combination with ST24W08CB1 (4822 209 13052)	9352 642 42112
L9.1E/L9.2E	East Europe, Mono No. Text	Wk931.5 or higher	SAA5542/M2/074	L90EM2-1.1	9352 642 42112	Yes	Only suitable in combination with ST24W08CB1 (4822 209 13052)	9352 653 68112
L9.1E/L9.2E	East Europe, Mono No. Text	Wk939.5 or higher	SAA5542/M4/1074	L90EM2-1.3	9352 653 68112	Yes	Only suitable in combination with ST24W08CB1 (4822 209 13052)	9352 672 49112
L9.1E/L9.2E	East Europe, Mono No. Text	Wk007.3 or higher	SAA5542/M4/185	L90EM2-1.4	9352 672 49112	Yes	see remarks L90EM1-1.5	9352 672 49112
L9.1E/L9.2E	East Europe, Mono No. Text	Wk007.3 or higher	SAA5542/M4/185	L90EM2-1.4	9352 672 49112	Yes		N.A.
L9.1E/L9.2E	East Europe, Mono/Stereo 5p-xt	Wk908.5 or higher	SAA5560/M2/024	L90ET2-1.0	9352 634 41112	Yes	Only suitable in combination with ST24W08CB1 (4822 209 13052)	9352 639 86112
L9.1E/L9.2E	East Europe, Mono/Stereo 5p-xt	Wk923.5 or higher	SAA5560/M2/056	L90ET2-1.2	9352 639 86112	Yes	Only suitable in combination with ST24W08CB1 (4822 209 13052)	9352 653 79112
L9.1E/L9.2E	East Europe, Mono/Stereo 5p-xt	Wk939.5 or higher	SAA5560/M3/1056	L90ET2-1.2	9352 653 79112	Yes	Only suitable in combination with ST24W08CB1 (4822 209 13052)	9352 672 87112

Software survey

SOFTWARE SURVEY									
CHASSIS	FAMILY	PRODUCTION CODE	uP TYPE/VERSION	IDENT	SERVICE CODE	HOTEL MODE ?	REMARKS TYPICAL FOR THIS SOFTWARE	IDENT	REPLACED BY SERVICE CODE
L9_1E / L9_2E	East Europe, Mono/Stereo 5p-xt	Wk008.1 or higher	SAA5560/M3/187	L90E2-1.4	9352 672 87112	Yes	Issues solved : - Set ITT DC_NOTCH register to ON always. - Status of Scart2 is not read when option 2X=OFF. This eliminates the need to ground - When the user press the up/down arrow key (and provided that the 16:9/4:3 feature is available), monitoring the voltage level on scart pin 8 for change in aspect ratio is stopped. - Keep AFC window large for NZ Bimos TDA884x when not in auto/manual search. - Set goes into Compar mode only after video appears when AS=OFF. - When the user switches manually to AV, the statuses of Pin 8 transitions on both scart are ignored. New: - Improve NICAM reception algorithm, by auto forcing NICAM sound to mono on. - Disable overvoltage trigger (Bimos PHD) for at least 120ms after power on. - Access to SDM during cold start by shorting Pin 1 of EEPROM ST24W0x. is removed. Shorting of Pin 20 of Painter (PO.6 for LED) during cold start will cause the software to enter SDM instead of SAM. (One can later toggle between SAM and SDM by pressing the local keys V- & P- simultaneously, this is an existing feature.)	N.A.	N.A.
L9_1E / L9_2E	East Europe, Mono/Stereo 10p-xt	Wk902.5 or higher	SAA5564/M2/016	L90E2-1.0	4822 209 17488	Yes	Only suitable in combination with ST24W08CB1 (4822 209 13052)	L90E2-1.1	9352 634 43112
L9_1E / L9_2E	East Europe, Mono/Stereo 10p-xt	Wk908.5 or higher	SAA5564/M2/026	L90E2-1.1	9352 634 43112	Yes	Only suitable in combination with ST24W08CB1 (4822 209 13052)	L90E2-1.3	9352 639 95112
L9_1E / L9_2E	East Europe, Mono/Stereo 10p-xt	Wk923.5 or higher	SAA5564/M2/055	L90E2-1.3	9352 639 95112	Yes	Only suitable in combination with ST24W08CB1 (4822 209 13052)	L90E2-1.5	9352 645 10112
L9_1E / L9_2E	East Europe, Mono/Stereo 10p-xt	Wk936.5 or higher	SAA5564/M3/1055	L90E2-1.3	9352 645 10112	Yes	Only suitable in combination with ST24W08CB1 (4822 209 13052)	L90E2-1.5	9352 672 23112
L9_1E / L9_2E	East Europe, Mono/Stereo 10p-xt	Wk006.5 or higher	SAA5564/M3/182	L90E2-1.5	9352 672 23112	Yes	See remarks L90E2-1.4	N.A.	N.A.
L9_1U / L9_2L	Wk906.3 or higher	SAA5543P/M2/019	L90S1-1.0	4822 209 17542	CC Mono/Stereo (English, Portuguese, Spanish)	L90S1-1.1	9352 642 32112	L90S1-1.1	9352 642 32112
L9_1U / L9_2L	Wk931.1 or higher	SAA5543P/M2/073	L90S1-1.1	9352 642 32112	CC Mono/Stereo (English, Portuguese, Spanish)	L90S1-1.2	9352 653 75112	L90S1-1.2	9352 653 75112
L9_1U / L9_2L	Wk939.5 or higher	SAA5543P/M4/1073	L90S1-1.2	9352 653 75112	CC Mono/Stereo (English, Portuguese, Spanish)	L90S1-1.3	9352 672 35112	L90S1-1.3	9352 672 35112
L9_1U / L9_2L	Wk007.3 or higher	SAA5543P/M4/183	L90S1-1.3	9352 672 35112	CC Mono/Stereo (English, Portuguese, Spanish)	L90S1-1.4	N.A.	N.A.	N.A.
L9_1U / L9_2L	Wk007.3 or higher	SAA5543P/M4/183	L90S1-1.4	9352 672 35112	CC Mono/Stereo (English, Portuguese, Spanish)	N.A.	N.A.	N.A.	N.A.
L9_3	14PT3685/0101E/05/58	Wk109.5 or higher	SAA5565P/M3/0244	NV1 EU_V1.2	9352 679 26112	No		n.a.	n.a.
L9H_1A/L9H_2A	version PAL (New Zealand only)	version 1.6	SAA5533P/S/M4	version 1.6	9965 000 10922		OTP	version 2.6	9965 000 05974
L9H_1A/L9H_2A	R, Y and Z versions PAL	163 (version 2.5)	SAA5533P/S/M4	version 2.5	9352 669 51112		OTP		
L9H_1A/L9H_2A	R, Y and Z versions PAL	version 2.6	SAA5533P/S/M4	version 2.6	9965 000 05974		OTP		
L9H_1E AA	System	week 0016 or higher	SAA5560P/S/M3	L9HES-1.2	3119 100 50841	Yes	OTP	L9HES-1.5	9965 000 10620
L9H_1E AA	System	week 0040 or higher	SAA5560P/S/M3	L9HES-1.3	3119 100 50871	Yes	OTP	L9HES-1.5	9965 000 10620
L9H_1E AA	System	week 0040 or higher	SAA5560P/S/M3	L9HES-1.5	9965 000 10620	Yes	OTP Canal + adaptation		
L9H_2E AA	System	week 0016 or higher	SAA5560P/S/M3	L9HES-1.2	3119 100 50841	Yes	OTP	L9HES-1.5	9965 000 10620
L9H_2E AA	System	week 0040 or higher	SAA5560P/S/M3	L9HES-1.3	3119 100 50871	Yes	OTP	L9HES-1.5	9965 000 10620
L9H_2E AA	System	week 0040 or higher	SAA5560P/S/M3	L9HES-1.5	9965 000 10620	Yes	OTP Canal + adaptation		
L9H_2E AA	Basic (no xt)	week 0016 or higher	SAA5543P/S/M4	L9HEB-1.4	3119 100 50901	Yes	OTP	L9HEB-1.8	9965 000 08008
L9H_2E AA	Basic (no xt)	week 0040 or higher	SAA5543P/S/M4	L9HEB-1.5	3119 100 50981	Yes	OTP Canal + adaptation	L9HEB-1.8	9965 000 08008
L9H_2E AA	Basic (no xt)	week 0108 or higher	SAA5543P/S/M4	L9HEB-1.6	3119 100 51071	Yes	OTP Several modifications	L9HEB-1.8	9965 000 08008
L9H_2E AA	Basic (no xt)	week 0145 or higher	SAA5543P/S/M4	L9HEB-1.8	9965 000 08008	Yes	OTP Scart pin 8 active in commercial mode		
L9H_2E AA	Basic + (txt,clock,radio)	week 0016 or higher	SAA5563P/S/M3	L9HEP-1.2	3119 100 50861	Yes	OTP	L9HEP-1.8	9965 000 08070
L9H_2E AA	Basic + (txt,clock,radio)	week 0040 or higher	SAA5563P/S/M3	L9HEP-1.4.1	3119 100 50911	Yes	OTP Canal + adaptation	L9HEP-1.8	9965 000 08070
L9H_2E AA	Basic + (txt,clock,radio)	week 0040 or higher	SAA5533P/S/M4	L9HEP-1.5	3119 100 50991	Yes	OTP Several modifications	L9HEP-1.8	9965 000 08070
L9H_2E AA	Basic + (txt,clock,radio)	week 0108 or higher	SAA5533P/S/M4	L9HEP-1.6	3119 100 51081	Yes	OTP Scart pin 8 active in commercial mode		
L9H_2E AA	Basic + (txt,clock,radio)	week 0145 or higher	SAA5533P/S/M4	L9HEP-1.8	9965 000 08070	Yes	OTP	L9HES-1.5	9965 000 10620
L9H_2E AA	On-Card	week 0016 or higher	SAA5560P/S/M3	L9HES-1.2	3119 100 50841	Yes	OTP	L9HES-1.5	9965 000 10620
L9H_2E AA	On-Card	week 0040 or higher	SAA5560P/S/M3	L9HES-1.3	3119 100 50871	Yes	OTP	L9HES-1.5	9965 000 10620
L9H_2E AA	On-Card	week 0040 or higher	SAA5560P/S/M3	L9HES-1.5	9965 000 10620	Yes	OTP Canal + adaptation		
MD1_0A	4/3 PAL/Multi	wk964.2 or higher	SAA5560P/S/M3	version 4.5 / 3353	4822 900 10968	No		version 4.6	4822 900 11073
MD1_0A	4/3 PAL/Multi		SAA5560P/S/M3	version 4.6 / 3448	4822 900 11073	No	Also for China without PIP	no later version	-
MD1_0A	4/3 NTSC Korea		SAA5560P/S/M3	version 4.3 / 3380	4822 900 10967	No		no later version	-
MD1_0A	4/3 NTSC Taiwan		SAA5560P/S/M3	version 4.5	4822 900 11097	No		no later version	-
MD1_0A	4/3 VGA PAL/Multi		SAA5560P/S/M3	version 4.2	4822 900 10958	No		version 4.3	4822 900 11079
MD1_0A	4/3 VGA PAL/Multi		SAA5560P/S/M3	version 4.3 / 3430	4822 900 11079	No		no later version	-
MD1_0A	4/3 VGANTSC Korea		SAA5560P/S/M3	version 4.2	4822 900 11078	No		no later version	-
MD1_0A	4/3 China PIP		SAA5560P/S/M3	version 4.1 / 3412	4822 900 11078	No	For China without PIP use 4x3 PAL/Multi V4.6 (4822 900 11073)	version 4.2	4822 900 11233
MD1_0A	4/3 China PIP		SAA5560P/S/M3	version 4.2 / 3480	4822 900 11233	No	Solves local dooming in China	no later version	-
MD1_0A	4/3 Latam		SAA5560P/S/M3	version 4.2 / 3442	4822 900 11101	No		no later version	-
MD1_0A	16/9 PAL/Multi		SAA5560P/S/M3	version 4.2	4822 900 10966	No		version 4.5	4822 900 11077
MD1_0A	16/9 PAL/Multi		SAA5560P/S/M3	version 4.5	4822 900 11077	No		no later version	-
MD1_0A	16/9 NTSC Korea		SAA5560P/S/M3	version 4.2	4822 900 10969	No		version 4.6	4822 900 11096
MD1_0A	16/9 NTSC Korea		SAA5560P/S/M3	version 4.6	4822 900 11096	No		no later version	-

SOFTWARE SURVEY

CHASSIS	FAMILY	PRODUCTION CODE	UP TYPE/VERSION	IDENT	SERVICE CODE	HOTEL MODE ?	REMARKS TYPICAL FOR THIS SOFTWARE	REPLACED BY	
								IDENT	SERVICE CODE
MD1.1A	PAL/Multi			M11PM1-1.0	4822 900 11136	No		M11PM1-1.1	4822 900 11256
MD1.1A	PAL/Multi			M11PM1-1.1	4822 900 11256	No	New: Nicam DK; Changed: smart setting values, SVHS Y/C delay, fixed video control.TXT, demute VOL UP, no demute VOL DOWN	no later version	-
MD1.1A BA	PAL/Multi			M11PM1-1.4	4822 900 11313	No		no later version	-
MD1.1A BA	Taiwan			M11TRT-1.1	4822 900 11314	No		no later version	-
MD1.1E	Satellite			version 10	4822 209 13041	No	For use in MD1.1E only	version 11	4822 900 11175
MD1.1E & MD1.2E	Satellite			version 11	4822 900 11175	No	For use in MD1.1E (option M2=N) and MD1.2E (option M2=Y)	no later version	-
MD1.2 E	64K uP (TMP87xM36N)			M12CO1-3.2		No	ACI, ATS, languages GB+FI+SW+DK+NL+D+H (only 4:3)	M12CO1-5.2	4822 900 11082
MD1.2 E	64K uP (TMP87xM36N)			M12CO2-3.2		No	ACI, ATS, languages GB+ES+P+GR+HU+PL+CZ+RU+Slowak (only 4:3)	M12CO2-5.2	4822 900 11083
MD1.2 E	64K uP			M12CO1-4.0		No	ACI, ATS, languages GB+FI+SW+DK+NL+D+H; Blinking LED (only 4:3)	M12CO1-5.2	4822 900 11082
MD1.2 E	64K uP			M12CO2-4.0		No	ACI, ATS, languages GB+ES+P+GR+HU+PL+CZ+RU+Slowak; Blinking LED (only 4:3)	M12CO2-5.2	4822 900 11083
MD1.2 E	64K uP			M12CO1-5.1		No	ACI, ATS, languages GB+FI+SW+DK+NL+D+H	M12CO1-5.2	4822 900 11082
MD1.2 E	64K uP			M12CO2-5.1		No	ACI, ATS, languages GB+ES+P+GR+HU+PL+CZ+RU+Slowak	M12CO2-5.2	4822 900 11083
MD1.2 E	64K uP			M12CO1-5.2	4822 900 11082	No	ACI, ATS, languages GB+FI+SW+DK+NL+D+H	M12CO1-5.3	4822 900 11223
MD1.2 E	64K uP			M12CO2-5.2	4822 900 11083	No	ACI, ATS, languages GB+ES+P+GR+HU+PL+CZ+RU+Slowak	M12CO2-5.3	4822 900 11224
MD1.2 E	64K uP			M12CO1-5.3	4822 900 11223	No	GB+FI+SW+DK+NL+D+H; ACI fixed for Switzerland	M12CO1-5.4	4822 900 11237
MD1.2 E	64K uP			M12CO2-5.3	4822 900 11224	No	GB+ES+P+GR+HU+PL+CZ+RU+Slowak	M12CO2-5.4	4822 900 11238
MD1.2 E	64K uP			M12CO9-5.3	4822 900 11225	No	GB+FI+SW+DK+NL+ES+P	M12CO9-5.4	4822 900 11239
MD1.2 E	64K uP			M12CO1-5.4	4822 900 11237	No	Solves AutoScan on VCR P/P-; GB+FI+SW+DK+NL+D+H	no later version	-
MD1.2 E	64K uP			M12CO3-5.4	4822 900 11238	No	Solves AutoScan on VCR P/P-; GB+ES+P+GR+HU+PL+CZ+RU+Slowak	no later version	-
MD1.2 E	64K uP			M12CO3-5.4	4822 900 11239	No	Solves AutoScan on VCR P/P-; GB+FI+SW+DK+NL+ES+P	no later version	-
MD1.2 E	Dolby			M12DO1-1.0		No	ACI, ATS, WSSB: languages GB+FI+NL+D+H (only 16:9)	M12DO1-1.1	4822 900 11084
MD1.2 E	Dolby			M12DO2-1.0		No	ACI, ATS, WSSB: languages FI+SW+DK+NL+ES (only 16:9)	M12DO2-1.1	4822 900 11152
MD1.2 E	Dolby			M12DO1-1.1	4822 900 11084	No	ACI, ATS, WSSB: languages GB+FI+NL+D+H (4:3 & 16:9)	M12DO1-1.6	4822 900 11241
MD1.2 E	Dolby			M12DO2-1.1	4822 900 11152	No	ACI, ATS, WSSB: languages FI+SW+DK+NL+ES (4:3 & 16:9)	M12DO2-1.4	4822 900 11242
MD1.2 E	Dolby			M12DO1-1.6	4822 900 11241	No	Solves HALL mode problem & Swiss ACI; GB+FI+NL+D+H	no later version	-
MD1.2 E	Dolby			M12DO2-1.4	4822 900 11242	No	Solves HALL mode problem & Swiss ACI; FI+SW+DK+NL+ES	no later version	-
MD1.2 E	MD1.1/MD1.2 with TMP87xM36N			M12BA1-4.0	4822 900 10988	No	ACI, no ATS; languages F+D+NL+H	no later version	-
MD1.2 E	MD1.1/MD1.2 with TMP87xM36N			M12BA2-4.0	4822 900 10984	No	ACI, no ATS; languages SW+DK+NL+FI	no later version	-
MD1.2 E	MD1.1/MD1.2 with TMP87xM36N			M12BA3-4.0	4822 900 10985	No	ACI, no ATS; languages GB+ES+P+GR	no later version	-
MD1.2 E	MD1.1/MD1.2 with TMP87xM36N			M12BA5-4.0	4822 900 10986	No	ACI, ATS; languages GB+D	no later version	-
MD1.2 E	MD1.1/MD1.2 with TMP87xM36N			M12BA6-4.0	4822 900 10987	No	ACI, no ATS; languages GB+HU+PL+CZ+RU+Slowak	no later version	-
MD2.11 E		Week 9614 and higher		3104 317 00141	-	No	Software for fighter sets, new sound detection (faster) and blocked TXT is solved	V_3104 317 00200	4822 900 10771
MD2.11 E		Week 9627 and higher		3104 317 00340	-	No	IVT3M4 problem solved	V_3104 317 00540	4822 900 10771
MD2.11 E		Week 9646 and higher		3104 317 00540	-	No	Sound problems solved	V_3104 317 00650	4822 900 10771
MD2.11 E		Week 9713 and higher		3104 317 00650	4822 900 10771	No	Wrong characters on screen in TXT mode solved	-	-
MD2.11 E	for -58 sets	Week 9627 and higher		3104 317 00330	-	No	PIP feature added	V_3104 317 00460	4822 900 10857
MD2.11 E	for -58 sets	Week 9642 and higher		3104 317 00460	-	No	Sound problems solved	V_3104 317 00530	4822 900 10857
MD2.11 E	for -58 sets	Week 9644 and higher		3104 317 00530	-	No	Adaptions for BL characters	V_3104 317 00660	4822 900 10857
MD2.11 E	for -58 sets	Week 9703 and higher		3104 317 00680	-	No	Wrong characters on screen in TXT mode solved	V_3104 317 00930	4822 900 10857
MD2.11 E	for -58 sets	Service solution		3104 317 00660	4822 900 10857	No	Recognition of TOP TXT menu for Poland	-	-
MD2.12 E		Week 9608 and 9609		3104 317 00031	4822 209 13002	No	Only used for first 1000 sets (not for France)	V_3104 317 00140	4822 900 10771
MD2.12 E		Week 9610 up to and including 9613		3104 317 00151	-	No	Only used for France, problem with canal+ decoder solved	V_3104 317 00200	4822 900 10771
MD2.12 E		Week 9614 and higher		3104 317 00141	-	No	Software for fighter sets, new sound detection (faster) and blocked TXT is solved	V_3104 317 00340	4822 900 10771
MD2.12 E		not used in production		3104 317 00200	-	No	Suitable for WS sets, dolby sets, TDA9143	V_3104 317 00540	4822 900 10771
MD2.12 E		Week 9627 and higher		3104 317 00340	-	No	IVT3M4 problem solved	V_3104 317 00650	4822 900 10771
MD2.12 E		Week 9646 and higher		3104 317 00540	-	No	Sound problems solved	V_3104 317 00660	4822 900 10771
MD2.12 E		Week 9713 and higher		3104 317 00650	4822 900 10771	No	Wrong characters on screen in TXT mode solved	-	-
MD2.12 E	for -58 sets	Week 9627 and higher		3104 317 00330	-	No	PIP feature added	V_3104 317 00460	4822 900 10857
MD2.12 E	for -58 sets	Week 9642 and higher		3104 317 00460	-	No	Sound problems solved	V_3104 317 00530	4822 900 10857
MD2.12 E	for -58 sets	Week 9644 and higher		3104 317 00530	-	No	Recognition of TOP TXT menu for Poland	-	-

Software survey

SOFTWARE SURVEY									
CHASSIS	FAMILY	PRODUCTION CODE	uP TYPE/VERSION	IDENT	SERVICE CODE	HOTEL MODE ?	REMARKS TYPICAL FOR THIS SOFTWARE	REPLACED BY IDENT	SERVICE CODE
MD2.12 E	for -/58 sets	Week 9703 and higher		3104 317 00580	-	No	Adaptions for 'BL' characters	V_3104 317 00660	4822 900 10857
MD2.12 E	for -/58 sets	Week 9713 and higher		3104 317 00660	-	No	Wrong characters on screen in TXT mode solved	V_3104 317 00930	4822 900 10857
MD2.12 E	for -/58 sets	Service solution		3104 317 00830	4822 900 10857	No	Recognition of TOP-TXT menu for Poland	-	-
MD2.2xE	Non EPG sets	Week 9712 and higher		3104 317 00640	-	No	Only used for 25PT8303 and 29PT8303	NOLLETM000701	4822 900 11102
MD2.2xE	Non EPG sets	Week 9715 and higher		NOLLETM000701	-	No	Not used in xpPT8303 sets	NOLLETM00639/01	4822 900 11102
MD2.2xE	Non EPG sets	Week 9717 and higher		NOLLETM00639/01	-	No	Not used in xpPT8303 sets	V_3104 317 00730	4822 900 11102
MD2.2xE	Non EPG sets	Week 9719 and higher		3104 317 00730	-	No	VGA integrated in this version (option switch), new OSD behaviour at program change, for Widescreen sets the Autoformat can be switched off by the customer and the Dolby initialisation problem is solved.	V_3104 317 00860	4822 900 11102
MD2.2xE	Non EPG sets	Week 9737 and higher		3104 317 00860	-	No	See table 2	V_3104 317 01030	4822 900 11102
MD2.2xE	Non EPG sets	Not used in production		3104 317 01030	-	No		V_3104 317 01680	4822 900 11102
MD2.2xE	Non EPG sets	Not used in production		3104 317 01680	4822 900 11102	No		-	-
MD2.2xE	for -/58 sets	Week 9710 and higher		3104 317 00590	-	No	Only used in some 29PT9113/58 sets	SWINT1638/01	4822 900 11066
MD2.2xE	for -/58 sets	Week 9718 and higher		SWINT1638/01	-	No		V_3104 317 00690	4822 900 11066
MD2.2xE	for -/58 sets	Week 9719 and higher		3104 317 00690	-	No		V_3104 317 00760	4822 900 11066
MD2.2xE	for -/58 sets	Week 9728 and higher		3104 317 00760	-	No	Only used for 28PW9769/58	V_3104 319 00870	4822 900 11066
MD2.2xE	for -/58 sets	Week 9737 and higher		3104 317 00870	-	No	VGA integrated in this version (option switch), new OSD behaviour at program change, for Widescreen sets the Autoformat can be switched off by the customer, the Dolby initialisation problem is solved and recognition of TOP-TXT menu for Poland.	V_3104 317 01040	4822 900 11066
MD2.2xE	for -/58 sets	Not used in production		3104 317 01040	-	No	See table 2	V_3104 317 01690	4822 900 11066
MD2.2xE	for -/58 sets	Not used in production		3104 317 01690	4822 900 11066	No		-	-
MD2.2xE	EPG sets	Week 9715 and higher		SWINT2021/01	-	No	Only used for pilot production of 32PW9713	SWINT1022/01	4822 900 11058
MD2.2xE	EPG sets	Week 9715 and higher		SWINT1022/01	-	No	Used for production start of 32PW9713	SWINT0732/01	4822 900 11058
MD2.2xE	EPG sets	Week 9715 and higher		SWINT0732/01	-	No	Protection problem with French and Greek reminder messages solved.	SWINT0149/01	4822 900 11058
MD2.2xE	EPG sets	Week 9717 and higher		SWINT0149/01	-	No	Startup problem with corrupted flashram solved and picture width solution for TextDualScreen	3104 317 00770	4822 900 11058
MD2.2xE	EPG sets	Week 9724 and higher		3104 317 00710	-	No	Only used in 32PW9763	3104 317 00740	4822 900 11058
MD2.2xE	EPG sets	Week 9747 and higher		3104 317 00740	-	No		V_3104 317 00750	4822 900 11058
MD2.2xE	EPG sets	Week 9727 and higher		3104 317 00750	-	No	Only used in VGA sets: spontaneous standby while watching EPG is solved	V_3104 317 00880	4822 900 11058
MD2.2xE	EPG sets	Week 9737 and higher		3104 317 00880	-	No	VGA integrated in this version (option switch), new OSD behaviour at program change, for Widescreen sets the Autoformat can be switched off by the customer and the Dolby initialisation problem is solved.	V_3104 317 00890	4822 900 11058
MD2.2xE	EPG sets	Week 9737 and higher		3104 317 00890	-	No	See table 1	V_3104 317 00850	4822 900 11058
MD2.2xE	EPG sets	Week 9804 and higher		3104 317 01050	-	No	Improved EPG performance, Dolby initialisation problem solved.	V_3104 317 01020	4822 900 11058
MD2.2xE	EPG sets	Not used in production		3104 317 01020	-	No	See table 2	V_3104 317 01670	4822 900 11058
MD2.2xE	EPG sets	Not used in production		3104 317 01670	4822 900 11058	No		-	-
MD2.25E	Non EPG sets	Start production		3104 317 01030	-	No	See table 2	3104 317 01240	4822 900 11279
MD2.25E	Non EPG sets	Week 9828 and higher		3104 317 01240	4822 900 11279	No	See table 3	3104 317 01680	4822 900 11102
MD2.25E	Non EPG sets	Not used in production		3104 317 01680	4822 900 11102	No		-	-
MD2.25E	for -/58 sets	Start production		3104 317 01040	4822 900 11281	No	See table 2	3104 317 01250	4822 900 11281
MD2.25E	for -/58 sets	Week 9828 and higher		3104 317 01250	4822 900 11281	No	See table 3	3104 317 01690	4822 900 11066
MD2.25E	for -/58 sets	Not used in production		3104 317 01690	4822 900 11066	No		-	-
MD2.25E	EPG sets	Start production		3104 317 01020	4822 900 11278	No	See table 2	3104 317 01230	4822 900 11278
MD2.25E	EPG sets	Not used in production		3104 317 01230	4822 900 11278	No		3104 317 01360	4822 900 11278
MD2.25E	EPG sets	Week 9828 and higher		3104 317 01360	4822 900 11278	No	See table 3	3104 317 01670	4822 900 11058
MD2.25E	EPG sets	Not used in production		3104 317 01670	4822 900 11058	No		-	-
MG1.1E	CL4	Start production		MG11E11.0_02101	3104 317 42101	No	Solved: Operation hours not correct, NVM : Prevent writing of Vslope = 0, System French changes to West Europe after search, change noise reduction parameters for auto-TV, Nr of favourites can be 100,i.s.o. 99	MG11E11.1_02201	3104 317 42201
MG1.1E	CL4	Week 9850 and higher		MG11E11.1_02201	3104 317 42201	No	Solved: Fixed AFC value is used when SECAM L is detected, right status detection with VCR, EPG works properly with Nextview 1.3, new volume table for Europe EDRIC-sets	-	-
MG1.1E	CL4			MG11E11.2_02271	3104 317 42271	No		-	-
MG2.1E		Start production		MG21E11.0_01471	-	No	MG problem solved, paneltest problem solved, secam correction with VCR introduced, service stepwise control, seconds problem in clock extraction solved	MG21E11.0_01501	4822 900 11275
MG2.1E		Week 9839 and higher		MG21E11.0_01501	-	No		MG21E11.0_01561	4822 900 11275
MG2.1E	CL1	Week 9844 and higher		MG21E11.0_01561	-	No	See table 4	MG21E11.3_01611	4822 900 11275
MG2.1E	CL1	Week 9851 and higher		MG21E11.3_01611	-	No	See table 5	MG21E11.5_01861	4822 900 11275
MG2.1E	CL1	Week 9915 and higher		MG21E11.5_01861	-	No		MG21E11.7_01941	4822 900 11275

SOFTWARE SURVEY

CHASSIS	FAMILY	PRODUCTION CODE	uP TYPE/VERSION	IDENT	SERVICE CODE	HOTEL MODE ?	REMARKS TYPICAL FOR THIS SOFTWARE	REPLACED BY IDENT	SERVICE CODE
MG2.1E	CL1	Week 9915 and higher		MG21E11.7_01941	-	No	Stereo detection problem and blocking of teletext on some transmitters solved	MG21E11.8_02191	4822 900 11275
MG2.1E	CL1	Week 9950 and higher, only for service		MG21E11.8_02191	-	No	Half TXT pages on ITV, Operation hours not correct, problem with Belgian subtitles, CNI code of ZDF not recognised, NVM : Prevent writing of Vslope = 0 and suddenly switching preset is solved	MG21E11.9_02401	4822 900 11275
MG2.1E	CL1	Week 0018 and higher, only for service		MG21E11.9_02401	4822 900 11275	No		-	-
MG2.1E	CL1 China (29DJS00/93)	Start production		MG21A11.0_01571	-	No		MG21A11.6_01901	4822 900 11324
MG2.1E	CL1 China (29DJS00/93)	Week 9915 and higher		MG21A11.6_01901	4822 900 11324	No		-	-
MG2.1E	CL2A	Start production		MG21E11.0_01591	-	No		MG21E12.2_01851	4822 900 11326
MG2.1E	CL2A	Week 9913 and higher		MG21E12.0_01821	-	No		MG21E12.2_01851	4822 900 11326
MG2.1E	CL2A	Week 9914 and higher		MG21E12.2_01851	-	No		MG21E12.3_01931	4822 900 11326
MG2.1E	CL2A	Week 9915 and higher		MG21E12.2_01871	-	No	Solution for EPG standby	MG21E12.3_01931	4822 900 11326
MG2.1E	CL2A	Week 9920 and higher		MG21E12.3_01931	-	No	Solution for loud volume at startup, noise (together with FBX 01911, TXT acquisition, stereo detection)	MG21E12.4_01961	4822 900 11326
MG2.1E	CL2A	Week 9922 and higher		MG21E12.4_01961	-	No	Solved: blocking of teletext on some transmitters	MG21E12.5_02181	4822 900 11326
MG2.1E	CL2A	Week 9950 and higher, only for service		MG21E12.5_02181	-	No	Half TXT pages on ITV, Operation hours not correct, problem with Belgian subtitles, CNI code of ZDF not recognised, NVM : Prevent writing of Vslope = 0 and Suddenly switching preset is solved	MG21E12.6_02411	4822 900 11326
MG2.1E	CL2A	Week 0018 and higher, only for service		MG21E12.6_02411	4822 900 11326	No		-	-
MG2.1E	FBX CL1+2A	Start production		R3_5V1B (01751)	-	No		R3_6V1B (01791)	4822 900 11276
MG2.1E	FBX CL1+2A	Week 9912 and higher		R3_6V1B (01791)	-	No		R3_8V1B (01831)	4822 900 11276
MG2.1E	FBX CL1+2A	Week 9914 and higher		R3_8V1B (01831)	-	No		R3_10V1B (01881)	4822 900 11276
MG2.1E	FBX CL1+2A	Week 9915 and higher		R3_10V1B (01881)	-	No	Horizontal shift problem solved	R3_12V1B (01911)	4822 900 11276
MG2.1E	FBX CL1+2A	Week 9920 and higher		R3_12V1B (01911)	4822 900 11327	No	Can only be used with SAA4978HV1 or SAA4978HV102	R3_15V2A (02131)	3104 317 42131
MG2.1E	FBX CL1+2A	Week 99 and higher		R3_15V2A (02131)	3104 317 42131	No		-	-
MG2.1E	CL1+2A	AG/QG10 and higher		MG21E13.0_01991	3104 317 41991	No	Production start	MG21E13.1_02091	3104 317 02091
MG2.1E	CL1+2A	AG/QG10 and higher, week 9944 and higher		MG21E13.1_02091	3104 317 02091	No	HOP NEC compatible, EPG improvement, Mute on headphone with blue mute when starting up on noise, no automatic subpage is solved, no subtitle when going out of TXT is solved	MG21E13.2_02171	3104 317 42171
MG2.1E	CL1+2A	AG/QG10 and higher, week 0010 and higher		MG21E13.2_02171	3104 317 42171	No	Prevent writing of V-slope=0, operating hours are correct after 128 hours, fixed AFC value is used when SECAM L is detected, right status detection with VCR, EPG works properly with Nextview 1.3, new volume table for Europe EDRIC-seis	MG21E13.3_02311	3104 317 42311
MG2.1E	CL1+2A	AG/QG11 and higher, week 0020 and higher		MG21E13.3_02311	3104 317 42311	No	Option codes change due to Acoustic system (cabinets). Solutions for: small black bars in TXT, for EPG 2C3, freeze overruled after blackbar detection, hangups in level 2.5 TXT	MG21E13.5_02591	3104 317 42591
MG2.1E	CL1+2A	Not used in production		MG21E13.4_02321	3104 317 42321	No	Not used in production	MG21E13.5_02591	3104 317 42591
MG2.1E	CL1+2A	AG/QG11 and higher, week 0041 and higher		MG21E13.5_02591	3104 317 42591	No	Solved: 3SA i.s.o. 3SAT in EPG screen, timer problem New Zealand, change of take-over point between MSP and EDRIC from +11 to 0dB, centration of TXT, IF AFC adjustment for SECAM L, service entry with normal remote possible, subtitle offset on/off possible at auto format	-	-
MG2.1E	FBX CL1+2A	FBX: AG/QG10 and higher		R3_13V2A (01920)	3104 317 41921	No		R3_15V2A (02130)	3104 317 42131
MG2.1E	FBX CL1+2A	FBX: AG/QG10 and higher		R3_15V2A (02130)	3104 317 42131	No	SECAM notch active in FBX at SECAM	T3_17V2A	9965 000 06621
MG2.1E	FBX CL1+2A			T3_17V2A	9965 000 06621	No	Solution for picture instability with digital decoders and DVD	-	-
MG3.1A	CL5B	Start production		MG31A11.0_02061	3104 317 42061	No	Not used in production	MG31E11.1_02111	3104 317 42111
MG3.1A	CL5B	Week 9941 and higher		MG31A11.1_02111	3104 317 42111	No	Used in production for -57/69/93	MG31E11.2_02121	3104 317 42121
MG3.1A	CL5B	Week 9943 and higher		MG31A11.2_02121	3104 317 42121	No	TXT problem solved, can be used in all sets	MG31E11.3_02151	3104 317 42151
MG3.1A	CL5B	Week 0001 and higher		MG31A11.3_02151	3104 317 42151	No	Flashing when LNA switched off is solved, power picture can be stored, translations corrected, plops are solved, change mute behaviour rear AV's, prevent writing of V-slope = 0	MG31A11.4_02251	3104 317 42251
MG3.1A	CL5B	Week 0014 and higher		MG31A11.4_02251	3104 317 42251	No	Solved: Give name list distorted (reshuffle), power picture is YES and should be NO, OSD 'sound muted' when volume minimum, Nr of favourites can be 100 i.s.o. 99	MG31A11.5_02261	3104 317 42261
MG3.1A	CL5B	Week 0023 and higher		MG31A11.5_02261	3104 317 42261	No	Solved: No dual I/II possible with DK, AFC and AGC of PIP can't be stored, power picture changes to YES, add subtitle offset on/off at auto format, introduction of frame rotation, TXT software error when default object not found	MG31A11.7_02861	3104 317 42861

SOFTWARE SURVEY

CHASSIS	FAMILY	PRODUCTION CODE	UP TYPE/VERSION	IDENT	SERVICE CODE	HOTEL MODE ?	REMARKS TYPICAL FOR THIS SOFTWARE	IDENT	REPLACED BY SERVICE CODE
MG3.1A	CL5B	Week 0052 and higher		MG31A11.6_02761	3104 317 42761	No	Solved: no check for ACI during 2nd band search. Auto installation; correct the TV-system during the second pass, rotation coil can be selected when 4:3 tube is selected, no horizontal disturbance in the right screen of VDS, no progressive scan if option on 1050/1250.	-	-
MG3.1A	CL5B	Week 0105 and higher		MG31A11.7_02861	3104 317 42861	No	Solved: 1250i mode resets autormat, 1250i scanning mode added, no 1050i selectable if PIP is on, 1250i mode if left when TXT is left, no menu available if subtitle is on, store vertical shift as last status	MG31A11.8_02981	3104 317 42981
MG3.1A	CL5B	Week 0124 and higher		MG31A11.8_02981	3104 317 42981	No	Solved: unstable PIP picture with POPOV N2, some lines of FLOF are not blanked in TXT level 2.5	-	-
MG3.1E/A/U/MG4.1	FBX; CL2B	Start production		R4_1 (01970)	3104 317 41971	No		R4_2 (02000)	3104 317 42001
MG3.1E/A/U/MG4.1	FBX	Week 9929 and higher		R4_2 (02000)	3104 317 42001	No	Solved: problem with stable OSD and 60Hz; sill picture jitters when freeze is on.	R4_3 (02010)	3104 317 02011
MG3.1E/A/U/MG4.1	FBX	Week 9929 and higher		R4_3 (02010)	3104 317 02011	No		R4_4 (02020)	3104 317 02021
MG3.1E/A/U/MG4.1	FBX France	Only France: WK 9938 and higher		R4_4 (02050)	3104 317 42051	No	Solved: autormat does not always see the lowest black bar. SECAM cross-colour triggers the FILM mode when even only a VIDEO signal is applied	R4_5 (02240)	3104 317 42241
MG3.1E/A/U/MG4.1	FBX	Week 9940 and higher		R4_5 (02070)	3104 317 42071	No	Solved: vertical jitter after swap Double Window, stable OSD in progressive scan.	R4_6 (02240)	3104 317 42241
MG3.1E/A/U/MG4.1	FBX	Week 0006 and higher		R4_6 (02240)	3104 317 42241	No	Solved: during irregular phases stripes are visible, jump of several lines between FILM 32 and UNKNOWN mode	R4_7 (02350)	3104 317 42351
MG3.1E/A/U/MG4.1	FBX	Week 0016 and higher		R4_7 (02350)	3104 317 42351	No	Solved: problems with playstation, non-interlaced input gives a jump in the picture when going into FILM-mode	R4_8 (02420)	3104 317 42421
MG3.1E/A/U/MG4.1	FBX	Week 0018 and higher		R4_8 (02420)	3104 317 42421	No	Solved: CTI shows sometimes jitter in DW application, AR busy hangup during	R4_10 (02681)	3104 317 42681
MG3.1E/A/U/MG4.1	FBX	Week 0042 and higher		R4_10 (02681)	3104 317 42681	No	Not used in production	R4_11 (02831)	3104 317 42831
MG3.1E/A/U/MG4.1	FBX	Week 0104 and higher		R4_11 (02831)	3104 317 42831	No	Solved: 1050i mode resets autormat	R4_12 (02901)	3104 317 42901
MG3.1E/A/U/MG4.1	FBX	Week 0110 and higher		R4_12 (02901)	3104 317 42901	No		R4_13 (03091)	3104 317 43091
MG3.1E/A/U/MG4.1	FBX	Week 0126 and higher		R4_13 (03091)	3104 317 43091	No	Solved: set goes in protection during ACI, quiet is not always detected on DVD still pictures, it takes too long before quiet mode is activated in progressive scan	-	-
MG3.1E/MG7.1E	CL2B/CL6	Start production		MG31E11.0_01981	3104 317 41981	No		MG31E11.1_02031	3104 317 02031
MG3.1E/MG7.1E	CL2B/CL6	Week 9935 and higher		MG31E11.1_02031	3104 317 02031	No	HOP N2C compatible, Contrast adjusted with active control, active control has now: off, min, med, max, Austria is selectable in the 'country' menu, PIP solution	MG31E11.3_02081	3104 317 42081
MG3.1E/MG7.1E	CL2B France	Only France: Week 9938 and higher		MG31E11.2_02041	3104 317 42041	No	Secam Notch-interface to FBX only in -719 and -758, only used in 4/3 sets.	MG31E11.5_02161	3104 317 42161
MG3.1E/MG7.1E	CL2B/CL6	Week 9935 and higher		MG31E11.3_02081	3104 317 42081	No	Only used in non RF 16/9 sets. When used in 4/3 sets the PIP picture with PAL 1 signal will be grey.	MG31E11.5_02161	3104 317 42161
MG3.1E/MG7.1E	CL2B/CL6	Week 9946 and higher		MG31E11.4_02141	3104 317 42141	No	Used in 32" and 36" RF sets. Shift of TXT in 36" is solved	MG31E11.5_02161	3104 317 42161
MG3.1E/MG7.1E	CL2B/CL6	AG/QG01 and higher, week 0008 for xP/W9/65 and week 0011 and higher for all other sets		MG31E11.5_02161	3104 317 42161	No	FBX on fast I2C bus, compatibility with Nextview 1.3, operation hours are correct, prevent overwriting of V-slope with 0, volume table for EDRC sets has changed, fixed AFC value is used when secam L is detected, CompPair not working with this release.	MG31E11.6_02291	3104 317 42291
MG3.1E/MG7.1E	CL2B/CL6	AG/QG02 and higher, week 0020 and higher		MG31E11.6_02291	3104 317 42291	No	Option codes change due to Accoustic system (cabinets). Solutions for: small black bars in TXT, for EPG 2C3, freeze overruled after blackbar detection, hangups in level 2.5 TXT, wrong status detection with VR969 and VR960, AFC and AGC of PIP and FDS can be stored via service menu (temporary 2 points must be connected) and CompPair tool works again.	MG31E11.8_02581	3104 317 42581
MG3.1E/MG7.1E	CL2B/CL6	Not used in production		MG31E11.7_02301	3104 317 42301	No	Not used in production.	MG31E11.9_02811	3104 317 42811
MG3.1E/MG7.1E	CL2B/CL6	AG/QG02 and higher, week 0041 and higher		MG31E11.8_02581	3104 317 42581	No	Solved: 3SA is o. 3SAT in EPG screen, timer problem New Zealand, change of take-over point between MSP and EDRC from +11 to 0dB, centration of TXT, IF AFC adjustment for SECAM L, service entry with normal remote possible, subtitle offset on/off possible at auto format	MG31E11.9_02811	3104 317 42811
MG3.1E/MG7.1E	CL2B/CL6	Not used in production		MG31E11.9_02811	3104 317 42811	No	Only released for service. Introduction picture lift function for 4:3 sets	MG31E11.A_02851	3104 317 42851
MG3.1E/MG7.1E	CL2B/CL6	Not used in production		MG31E11.A_02851	3104 317 42851	No	Introduction for /xM sets, change value anti-moireparameters in PAL and Secam, selection of rotation coil is not possible when 4:3 tube is selected	-	-
MG3.1U	CL8	Start production		MG31U11.0_02361	3104 317 42361	No		MG31U11.0_02461	3104 317 42461
MG3.1U	CL8	Week 0036 and higher		MG31U11.1_02461	3104 317 42461	No	Solved: protection when toggling between AV4 and a NTSC source, bad P+P-behaviour	MG31U11.4_02541	3104 317 42541
MG3.1U	CL8	Not used in production		MG31U11.2_02501	3104 317 42501	No	Not used in production	MG31U11.4_02541	3104 317 42541
MG3.1U	CL8	Not used in production		MG31U11.3_02511	3104 317 42511	No	Not used in production	MG31U11.5_02551	3104 317 42551
MG3.1U	CL8	Week 0036 and higher		MG31U11.4_02541	3104 317 42541	No	When using Y/C input and status detection the viewmode is either 4:3 or widescreen, autoprogramming interrupted by demobanner of gemstar, disable pop up of virgin mode when the channelmap is empty, double height of OSD/Menu on AV4 when natural motion is OFF, G+ is switching off the colour enhancement, bad CC decoding	-	-

Software survey

SOFTWARE SURVEY

CHASSIS	FAMILY	PRODUCTION CODE	UP TYPE/VERSION	IDENT	SERVICE CODE	HOTEL MODE ?	REMARKS TYPICAL FOR THIS SOFTWARE	IDENT	REPLACED BY SERVICE CODE
MG3.1U	CL8	Week 0111 and higher		MG31U11.5_02551	3104 317 42551	No	Set does not startup with blank NVM, surf key disabled when auto programming is in progress, cursor repositioning in zoom when frozen, right speaker icon not correct, natural motion display remains active after AV4 is selected with natural motion ON, bed view mode information in UI for AV4, panning disabled when picture frozen while zoom is on, change takeover point between MSP and Edric, no picture and no CC after startup, optimize pip3/pip8 settings, in CC text mode first character is missing, status info is not updated properly for all audio, wide border around replay window when coming from 4:3 DW setting		
MG3.1U	CL8			MG31U12.4_03021	3104 317 43021	No		MG31U12.5_03051	3104.317.43051
MG3.1U	CL8			MG31U12.5_03051	3104 317 43051	No			
MG3.1U	CL8			MG31U12.6_03081	3104 317 43081	No			
MG3.1U	CL8			MG31U12.7_03421	3104 317 43421	No			
MG3.2E		Start production		MG32E11.0_03341	3104 317 43341	No		MG32E11.1_03541	3104.317.43541
MG3.2E		Week 0151 and higher		MG32E11.1_03541	3104 317 43541	No			
MG3.2E	FBX	Start production		RE1F2_04	3104 317 49531	No			
MG4.1E		Start production		MG41E11.0_02661	3104 317 42661	No		MG41E11.1_03031	3104.317.43031
MG4.1E		Week 0114 and higher		MG41E11.1_03031	3104 317 43031	No		MG41E11.2_03071	3104.317.43071
MG4.1E		Week 0121 and higher		MG41E11.2_03071	3104 317 43071	No	Sound settings adapted for 32"	MG41E11.3_03181	3104.317.43181
MG4.1E		Week 0131 and higher		MG41E11.3_03181	3104 317 43181	No	Set always starts up in Multimedia in digital		
MG5.1E	CL2A	Start production		MG51E13.3_02071	3135 015 11541	No			
MG5.1E	CL2A	TD01 and higher			3135 015 22061	No			


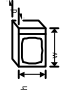
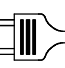
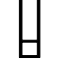
Model number survey

MODEL	STYLING	CHASSIS	RC	SYSTEM	SOUND	SIZE	VOLTRANGE	TUNER	OPTION CODES		
				P...=PAL S...=SECAM N...=NTSC	N...=NICAM F...=FM/FM	wxhtxd (cm)			1 2 3 4	5	6 7
17HT13153/01S	267	L9H.2E	RC2882/01	P-BGI,S-LL'	MONO	43x39x41	220-240V	UV1316/A I-2	See sticker in set		
17HT13153/05	267	L9H.2E	RC2882/01	P-BGI, S-LL'	MONO	43x39x41	220-240V	UV1316/A I-2	See sticker in set		
17HT13153/05S	267	L9H.2E	RC2882/01	P-BGI,S-LL'	MONO	43x39x41	220-240V	UV1316/A I-2	See sticker in set		
17HT13153/58	267	L9H.2E	RC2882/01	P-BGDK, S-BGDK	MONO	43x39x41	220-240V	UV1316/A I-2	See sticker in set		
17HT13154/01	351	L01H.2E	RC2885/01	P-BGDKI, S-BGDKK1L1'	MONO	43x39x41	220-240V	TEDE9-228A	8 16 2 1	3	117 0
17HT13154/05	351	L01H.2E	RC2885/01	P-BGDKI, S-BGDKK1L1'	MONO	43x39x41	220-240V	TEDE9-228A	8 16 2 1	3	117 0
17HT13253/01	267	L9H.2E	RC2882/01	P-BGI, S-LL'	MONO	43x39x41	220-240V	UV1316/A I-2	See sticker in set		
17HT13253/05	267	L9H.2E	RC2882/01	P-BGI, S-LL'	MONO	43x39x41	220-240V	UV1316/A I-2	See sticker in set		
17HT13253/05S	267	L9H.2E	RC2882/01	P-BGI,S-LL'	MONO	43x39x41	220-240V	UV1316/A I-2	See sticker in set		
17HT13253/58	267	L9H.2E	RC2882/01	P-BGDK, S-BGDK	MONO	43x39x41	220-240V	UV1316/A I-2	See sticker in set		
17HT13304/01	351	L01H.2E	RC2885/01	P-BGDKI, S-BGDKK1L1'	MONO	43x39x41	220-240V	UV1316/A I-2	See sticker in set		
17HT13304/05	351	L01H.2E	RC2885/01	P-BGDKI, S-BGDKK1L1'	MONO	43x39x41	220-240V	UV1316/A I-2	See sticker in set		
17HT14203/21M	267	L9H.2E	RC2882/01	P-BGDKI, S-BGDK	MONO	43x39x41	220-240V	UV1316/A I-2	See sticker in set		
17HT14203/25M	267	L9H.2E	RC2882/01	P-BGDKI, S-BGDK	MONO	43x39x41	220-240V	UV1316/A I-2	See sticker in set		
17HT14203/78M	267	L9H.2E	RC2882/01	P-BGDKI, S-BGDK	MONO	43x39x41	220-240V	UV1316/A I-2	See sticker in set		
17HT5403/01S	267	L9H.2E	RC2882/01	P-BGDKI, S-BGDK	MONO	43x39x41	220-240V	UV1316/A I-2	See sticker in set		
17HT5403/01Z	267	L9H.2E	RC2882/01	P-BGI, S-LL'	MONO	43x39x41	220-240V	UV1316/A I-2	See sticker in set		
17HT5403/05S	267	L9H.2E	RC2882/01	P-BGI,S-LL'	MONO	43x39x41	220-240V	UV1316/A I-2	See sticker in set		
17HT5403/05Z	267	L9H.2E	RC2882/01	P-BGI, S-LL'	MONO	43x39x41	220-240V	UV1316/A I-2	See sticker in set		
17HT5403/21R	267	L9H.2E	RC2884/01	P-BGI, S-LL'	MONO	43x39x41	220-240V	UV1316/A I-2	See sticker in set		
17HT5403/25R	267	L9H.2E	RC2884/01	P-BGI, S-LL'	MONO	43x39x41	220-240V	UV1316/A I-2	See sticker in set		
17HT5403/58Z	267	L9H.2E	RC2884/01	P-BGDKI, S-BGDK	MONO	43x39x41	220-240V	UV1316/A I-2	See sticker in set		
17HT5403/78R	267	L9H.2E	RC2884/01	P-BGDKI, S-BGDK	MONO	43x39x41	220-240V	UV1316/A I-2	See sticker in set		
17HT5404/01Z	351	L01H.2E	n/a	P-BGDKI, S-BGDK	MONO	43x39x41	220-240V	UV1316/A I-2	See sticker in set		
17HT5404/05Z	351	L01H.2E	n/a	P-BGDKI, S-BGDK	MONO	43x39x41	220-240V	UV1316/A I-2	See sticker in set		
17HT5404/21R	351	L01H.2E	RC86703/01	P-BGDKI, S-BGDKK1L1'	MONO	43x39x41	220-240V	TEDE9-228A	8 17 2 9	22	122 0
17HT5404/25R	351	L01H.2E	RC86703/01	P-BGDKI, S-BGDKK1L1'	MONO	43x39x41	220-240V	TEDE9-228A	8 17 2 9	22	122 0
17HT5423/21R	267	L9H.2E	RC2884/01	P-BGI,S-LL'	MONO	43x39x41	220-240V	UV1316/A I-2	See sticker in set		
17HT5423/25R	267	L9H.2E	RC2884/01	P-BGI,S-LL'	MONO	43x39x41	220-240V	UV1316/A I-2	See sticker in set		
17PT1565/00	221	L9.2E	RC2885/01	P-BGDKI, S-BGDK	MONO	42x38x40	170-242V	UV1316/A I-3	See sticker in set		
17PT1565/05	221	L9.2E	RC2885/01	P-BGDKI, S-BGDK	MONO	42x38x40	170-242V	UV1316/A I-3	See sticker in set		
17PT1565/58	221	L9.2E	RC2885/01	P-BGDKI, S-BGDK	MONO	42x38x40	170-242V	UV1316/A I-3	See sticker in set		
17PT1666/58	349	L01.2E	RCLE011	P-BGI	MONO	42x38x40	220-240V	UV1316/A I-3	See sticker in set		
17PT1666/58	349	L01.2E	RCLE011	P-BGDKI, S-BGDK	MONO	42x38x40	220-240V	UV1316/A I-3	See sticker in set		
20PT1354/58	285	L9.2E	RC2826/01/01	P-BGDKI, S-BGDK	NICAM, 2CS	52x56x55	100-250V	UV1316/A I-3	See sticker in set		
20PT1554/58	285	L9.2E	RC2826/01/01	P-BGDKI, S-BGDK	NICAM, 2CS	52x56x55	100-250V	UV1316/A I-3	See sticker in set		
21HT3154/01Z	356	L01H.2E	RC86702/01	P-BGDKI, S-BGDKK1L1'	MONO	55x47x49	220-240V	TEDE9-228A	8 16 2 1	3	117 0
21HT3154/05	356	L01H.2E	RC86702/01	P-BGDKI, S-BGDKK1L1'	MONO	55x47x49	220-240V	TEDE9-228A	8 16 2 1	3	117 0
21HT3304/01	356	L01H.2E	RC86702/01	P-BGDKI, S-BGDKK1L1'	MONO	55x47x49	220-240V	UV1316/A I-3	See sticker in set		
21HT3304/05	356	L01H.2E	RC86702/01	P-BGDKI, S-BGDKK1L1'	MONO	55x47x49	220-240V	UV1316/A I-3	See sticker in set		
21HT5404/01Z	356	L01H.2E	n/a	P-BGDKI, S-BGDKK1L1'	MONO	55x47x49	220-240V	UV1316/A I-3	See sticker in set		
21HT5404/05Z	356	L01H.2E	n/a	P-BGDKI, S-BGDKK1L1'	MONO	55x47x49	220-240V	UV1316/A I-3	See sticker in set		
21HT5404/21R	356	L01H.2E	RC86703/01	P-BGDKI, S-BGDKK1L1'	MONO	55x47x49	220-240V	TEDE9-228A	8 17 2 9	22	122 0
21HT5404/25R	356	L01H.2E	RC86703/01	P-BGDKI, S-BGDKK1L1'	MONO	55x47x49	220-240V	TEDE9-228A	8 17 2 9	22	122 0
21HT5413/01Z	303	L9H.2E	n.a.	P-BGI,S-LL'	MONO	55x47x49	220-240V	UV1316/A I-2	See sticker in set		
21HT5413/05Z	303	L9H.2E	n.a.	P-BGI,S-LL'	MONO	55x47x49	220-240V	UV1316/A I-2	See sticker in set		
21HT5413/21R	303	L9H.2E	RC2884/01	P-BGI,S-LL'	MONO	55x47x49	220-240V	UV1316/A I-2	See sticker in set		
21HT5413/25R	303	L9H.2E	RC2884/01	P-BGI,S-LL'	MONO	55x47x49	220-240V	UV1316/A I-2	See sticker in set		
21HT5423/21R	303	L9H.2E	RC86703	P-BGI,S-LL'	MONO	55x47x49	220-240V	UV1316/A I-3	See sticker in set		
21HT5423/25R	303	L9H.2E	RC86703	P-BGI,S-LL'	MONO	55x47x49	220-240V	UV1316/A I-3	See sticker in set		
21PT1354/00	288	L9.2E	RC2826/03/01	P-BG	MONO	52x50x49	220-240V	UV1316/A I-3	See sticker in set		
21PT1354/01	288	L9.2E	RC2826/03/01	P-BGI, S-BGLL'	MONO	52x50x49	220-240V	UV1316/A I-3	See sticker in set		
21PT1354/48	288	L9.2E	RC2826/03/01	P-BGDK, S-BGDK	MONO	52x50x49	150-264V	UV1316/A I-3	See sticker in set		



Model number survey

MODEL	STYLING	CHASSIS	RC	SYSTEM P...=PAL S...=SECAM N...=NTSC	SOUND N...=NICAM F...=FM/IFM	SIZE wxhxd (cm)	POWER W	VOLTRANGE	TUNER	OPTION CODES 1 2 3 4	6	7
21PT1354/58	288	L9.2E	RC282601/01	P-BGDK, S-BGDK	MONO	52x50x49	100-250V	U-3	U-3	See sticker in set		
21PT1364/58	288	L9.2E	RC282603/01	P-BGDK, S-BGDK	MONO	52x50x49	100-264V	U-3	U-3	See sticker in set		
21PT1364/58	222	L9.2E	RC282601/01	P-BGDK, S-BGDK	NICAM, 2CS	55x47x50	100-250V	U-3	U-3	See sticker in set		
21PT1364/58	222	L9.2E	RC282603/01	P-BGDK, S-BGDK	MONO	55x47x50	100-250V	U-3	U-3	See sticker in set		
21PT1654/00	288	L9.2E	RC283509/01	P-BG	MONO	52x50x49	220-240V	U-3	U-3	See sticker in set		
21PT1654/00	288	L9.2E	RC283509/01	P-BG, S-BGLL'	MONO	52x50x49	220-240V	U-3	U-3	See sticker in set		
21PT1654/05	288	L9.2E	RC283509/01	P-BGDK, S-BGDK	MONO	52x50x49	220-240V	U-3	U-3	See sticker in set		
21PT1654/58	288	L9.2E	RC283509/01	P-BGDK, S-BGDK	MONO	52x50x49	150-264V	U-3	U-3	See sticker in set		
21PT1664/00	288	L9.2E	RC283509/01	P-BGDK, S-BGDK	MONO	52x50x49	150-264V	U-3	U-3	See sticker in set		
21PT1664/00S	222	L9.2E	RC2525/01	P-BG	MONO	55x47x50	170-242V	U-3	U-3	232 251 197 97	186	16
21PT1664/01	222	L9.2E	RC2525/01	P-BG, S-BGLL1	MONO	55x47x50	170-242V	U-3	U-3	See sticker in set		
21PT1664/01S	222	L9.2E	RC2543/01	P-BG, S-BGLL1	MONO	55x47x50	170-242V	U-3	U-3	See sticker in set		
21PT1664/05	222	L9.2E	RC2525/01	P-BG	MONO	55x47x50	170-242V	U-3	U-3	232 251 197 97	186	16
21PT1664/05S	222	L9.2E	RC2543/01	P-BG, S-BGLL'	MONO	55x47x50	170-242V	U-3	U-3	See sticker in set		
21PT1664/21	222	L9.2E	RC2543/01	P-BG, S-BGLL'	MONO	55x47x50	220-240V	U-3	U-3	See sticker in set		
21PT1664/21S	222	L9.2E	RC2543/01	P-BG, S-BGLL'	MONO	55x47x50	220-240V	U-3	U-3	See sticker in set		
21PT1664/58	222	L9.2E	RC2525/01	P-BGDK, S-BGDK	MONO	55x47x50	220-240V	U-3	U-3	See sticker in set		
21PT1664/58C	222	L9.2E	RC2543/01	P-BGDK, S-BGDK	MONO	55x47x50	150-264V	U-3	U-3	232 203 132 97	196	16
21PT1664/58S	222	L9.2E	RC2543/01	P-BGDK, S-BGDK	MONO	55x47x50	150-264V	U-3	U-3	See sticker in set		
21PT1865/58	287	L9.2E	RC2543/01	P-BGDK, S-BGDK	MONO	55x47x50	150-264V	U-3	U-3	See sticker in set		
21PT1865/58C	287	L9.2E	RC2543/01	P-BGDK, S-BGDK	MONO	62x48x49	150-264V	U-3	U-3	See sticker in set		
21PT2264/00	222	L9.2E	RC2525/01	P-BG	NICAM, 2CS	55x47x50	170-242V	U-3	U-3	See sticker in set		
21PT2264/20	222	L9.2E	RC2543/01	P-BG	N-BG, 2CS-BG, MONO	55x47x50	220-240V	U-3	U-3	See sticker in set		
21PT2265/00	264	L9.2E	RC2543/01	P-BG	N-BG, 2CS-BG, MONO	55x47x50	220-240V	U-3	U-3	See sticker in set		
21PT2664/00	222	L9.2E	RC2525/01	P-BG	NICAM, 2CS	55x47x50	100-250V	U-3	U-3	See sticker in set		
21PT2664/20	222	L9.2E	RC2543/01	P-BG	N-BG, 2CS-BG, MONO	55x47x50	220-240V	U-3	U-3	See sticker in set		
21PT2665/00	264	L9.2E	RC2543/01	P-BG, S-L'	N-BG, 2CS-BG, MONO	55x47x50	150-264V	U-3	U-3	See sticker in set		
21PT2665/01	264	L9.2E	RC2543/01	P-BG, S-L'	N-BG, 2CS-BG, MONO	55x47x50	220-240V	U-3	U-3	See sticker in set		
21PT2665/05	264	L9.2E	RC2525/01	P-BGDK, S-BGDK	N-BG, 2CS-BGDK	55x47x50	100-250V	U-3	U-3	See sticker in set		
21PT2665/58C	264	L9.2E	RC2543/01	P-BGDK, S-BGDK	N-BGDK, F-BG/Czech, MONO	55x47x50	150-276V	U-3	U-3	See sticker in set		
21PT2684/01	222	L9.2E	RC2525/01	P, S-BGILL'	NICAM, 2CS	55x47x50	100-250V	U-3	U-3	See sticker in set		
21PT2684/05	222	L9.2E	RC2525/01	P-BG, S-BGILL'	NICAM, 2CS	55x47x50	100-250V	U-3	U-3	See sticker in set		
21PT2684/21	222	L9.2E	RC2543/01	P-BG, S-BGILL'	N-BGIL, 2CS-BG, MONO	55x47x50	220-240V	U-3	U-3	See sticker in set		
21PT2684/25	222	L9.2E	RC2543/01	P-BGDK, S-BGDK	N-BGDK, 2CS-BG, MONO	55x47x50	220-240V	U-3	U-3	See sticker in set		
21PT2684/48	222	L9.2E	RC2543/01	P-BGDK, S-BGDK	NICAM, 2CS	55x47x50	100-250V	U-3	U-3	See sticker in set		
21PT2684/58	222	L9.2E	RC2525/01	P-BGDK, S-BGDK	NICAM, 2CS	55x47x50	100-250V	U-3	U-3	See sticker in set		
21PT3822/97R	330	L9.2A	RC 282904/01	N-M	AV S	60x49x49	90-276V	U-3	U-3	See sticker in set		
21PT3822/56A	330	L9.2A	RC 283510/01	P-BGDK, S-BGDK, N-M	AV S	60x49x49	90-276V	U-3	U-3	See sticker in set		
21PT3824/57R	330	L9.2A	RC 283510/01	P-BGDK, S-BGDK, N-M	AV S	60x49x49	90-276V	U-3	U-3	See sticker in set		
21PT3824/69R	330	L9.2A	RC 283510/01	P-BGDK, S-BGDK, N-M	AV S	60x49x49	90-276V	U-3	U-3	See sticker in set		
21PT3824/79R	330	L9.2A	RC 283510/01	P-BGDK, S-BGDK, N-M	AV S	60x49x49	90-276V	U-3	U-3	See sticker in set		
21PT4255/00	287	L9.2E	RC2525/01	P-BG	MONO	62x48x49	220-240V	U-3	U-3	See sticker in set		
21PT4406/21	341	L01.2E	RCLE014	P-BGDK, S-BGDK, L'	N-BGDK, L-F-BG	55x47x50	220-240V	U-3	U-3	216 247 225 56	240	38
21PT4406/58	341	L01.2E	RC19039001/01	P-BGDK, S-BGDK	N-BGDK, F-BG/Czech	55x47x50	220-240V	U-3	U-3	See sticker in set		
21PT4425/58	287	L9.2E	RC2543/01	P-BGDK, S-BGDK	N-BGDK, F-BG/Czech, MONO	62x48x49	150-264V	U-3	U-3	232 51 199 113	186	156
21PT4455/20	287	L9.2E	RC2525/01	P-BG	NICAM, 2CS	62x48x49	170-242V	U-3	U-3	See sticker in set		
21PT4456/00	317	L9.2E	RC2543/01	P-BG	N-BG, 2CS-BG, MONO	62x48x49	220-240V	U-3	U-3	See sticker in set		
21PT4456/01	317	L9.2E	RC2543/01	P-BGDK, S-BGDK, L'	N-BGDK, L-F-BG	60x49x49	220-240V	U-3	U-3	See sticker in set		
21PT4456/05	317	L9.2E	RC2543/01	P-BGDK, S-BGDK	N-BGDK, F-BG/Czech	60x49x49	220-240V	U-3	U-3	See sticker in set		
21PT4456/58	317	L9.2E	RC2543/01	P-BGDK, S-BGDK	N-BGDK, F-BG/Czech, MONO	60x49x49	220-240V	U-3	U-3	See sticker in set		
21PT4456/58C	317	L01.2E	RC2543/01	P-BGDK, S-BGDK, L'	N-BGDK, L-F-BG	60x49x49	220-240V	U-3	U-3	216 247 165 56	240	50
21PT4457/01	340	L01.2E	RC2563/01	P-BGDK, S-BGDK	N-BGDK, L-F-BG	60x49x49	220-240V	U-3	U-3	216 247 225 184	240	54
21PT4457/05	340	L01.2E	RC2563/01	P-BGDK, S-BGDK	N-BGDK, L-F-BG	60x49x49	220-240V	U-3	U-3	216 247 225 184	240	54
21PT4457/58	340	L01.2E	RC2563/01	P-BGDK, S-BGDK	N-BGDK, L-F-BG/Czech	60x49x49	220-240V	U-3	U-3	216 247 225 184	240	54

Model number survey

MODEL	STYLING	CHASSIS	RC	SYSTEM P.=PAL S.=SECAM N.=NTSC		SOUND N.=NICAM F.=FM/PM		SIZE wxhxd (cm)		VOLTRANGE		OPTION CODES						
												1	2	3	4	5	6	7
21PT4475/01	287	L9.2E	RC2525/01	P-BG, S-BGL'L1		NICAM, 2CS		62x48x49	170-242V		UV1316/A I-3	232	51	199	113	186	156	11
21PT4475/05	287	L9.2E	RC2525/01	P-I		NICAM		62x48x49	170-242V		UV1316/A I-3	See sticker in set						
21PT4475/21	287	L9.2E	RC2543/01	P-BGI, S-BGL'L		N-BGIL, 2CS-BG, MONO		62x48x49	220-240V		UV1316/A I-3	See sticker in set						
21PT4475/25	287	L9.2E	RC2543/01	P-BGDK, S-BGDK		N-I, MONO		62x48x49	220-240V		UV1316/A I-3	See sticker in set						
21PT4475/48	287	L9.2E	RC2543/01	P-BGDK, S-BGDK		N-BGDK, 2CS-BG, MONO		62x48x49	150-264V		UV1316/A I-3	See sticker in set						
21PT4475/58	287	L9.2E	RC2525/01	P-BGDK, S-BGDK		NICAM, 2CS		62x48x49	170-242V		UV1316/A I-3	232	3	134	113	186	158	74
21PT4475/58C	287	L9.2E	RC2543/01	P-BGDK, S-BGDK		N-BGDK, F-BG/Czech, MONO		62x48x49	150-264V		UV1316/A I-3	See sticker in set						
21PT4655/00	287	L9.2E	RC2543/01	P-BG		N-BG, 2CS-BG, MONO		62x48x49	220-240V		UV1316/A I-3	See sticker in set						
21PT5305/00	249	L9.1E	RC2543/01	P-BG, S-BGL'L		N-BG, 2CS-BG, MONO		62x47x49	220-240V		TEDE9-004A	See sticker in set						
21PT5305/01	249	L9.1E	RC2543/01	P-BG, S-BGL'L		N-BGIL, 2CS-BG, MONO		62x47x49	220-240V		TEDE9-004A	See sticker in set						
21PT5305/58	249	L9.1E	RC2543/01	P-BGDK, S-BGDK		N-BGDK, 2CS-BG, MONO		62x47x49	150-276V		TEDE9-004A	See sticker in set						
21PT5306/01	333	L0.1E	RC19039001/01	P-BGDKI, S-BGDKL'L		N-BGDKIL, F-BG, MONO		62x47x49	220-240V		UV1316/A I-3	See sticker in set						
21PT5405/01	263	L9.1E	RC2543/01	P-BGI, S-BGL'L		N-BGIL, F-BG, MONO		60x46x49	220-240V		UV1316/A I U-3	See sticker in set						
21PT5406/00	316	L9.1E	RC2543/01	P-BG		N-BG, F-BG, MONO		60x49x49	220-240V		UV1316/A I-3	See sticker in set						
21PT5406/01	316	L9.1E	RC2543/01	P-BGI, S-L'L		N-BGIL, F-BG, MONO		60x49x49	220-240V		UV1316/A I-3	See sticker in set						
21PT5406/05	316	L9.1E	RC2543/01	P-I		N-I, MONO		60x49x49	220-240V		UV1316/A I-3	See sticker in set						
21PT5407/05	339	L0.1E	RC19039001/01	P-BGDK, S-BGDK		N-BGDK, F-BG/Czech, MONO		60x49x49	150-264V		UV1316/A I-3	See sticker in set						
21PT5407/58	339	L0.1E	RC19039001/01	P-BGDKI, S-BGDKL'L		N-BGDKIL, F-BG, MONO		60x49x49	220-240V		UR1316RA/I-3	216	247	165	156	240	50	3
21PT5505/00	263	L9.1E	RC2543/01	P-BGDK, S-BGDK		N-BGDK, F-BG/Czech, MONO		60x46x49	220-240V		UR1316RA/I-3	See sticker in set						
21PT5505/00S	263	L9.1E	RC2543/01	P-BGDK, S-BGDK		N-BGDK, F-BG/Czech, MONO		60x46x49	220-240V		TEDE9-004A	See sticker in set						
21PT5505/01	263	L9.1E	RC2543/01	P-BG		N-BG, 2CS-BG, MONO		60x46x49	220-240V		UV1316/A I U-3	See sticker in set						
21PT5505/01S	263	L9.1E	RC2543/01	P-BGI, S-BGL'L		N-BGIL, 2CS-BG, MONO		60x46x49	220-240V		TEDE9-004A	See sticker in set						
21PT5505/01S	263	L9.1E	RC2543/01	P-BGI, S-BGL'L		N-BGIL, F-BG, MONO		60x46x49	220-240V		TEDE9-004A	See sticker in set						
21PT5505/05	263	L9.1E	RC2543/01	P-I		N-I, MONO		60x46x49	220-240V		TEDE9-004A	See sticker in set						
21PT5505/05S	263	L9.1E	RC2543/01	P-I		N-I, MONO		60x46x49	220-240V		TEDE9-004A	See sticker in set						
21PT5505/58	263	L9.1E	RC2543/01	P-BGDK, S-BGDK		N-BGDK, 2CS-BG, MONO		60x46x49	150-264V		TEDE9-004A	See sticker in set						
21PT5505/58S	263	L9.1E	RC2543/01	P-BGDK, S-BGDK		N-BGDK, F-BG/Czech, MONO		60x46x49	150-276V		UV1316/A I U-3	See sticker in set						
21PT5505/01	252	A10E	RC2563/01	P-BGDKI, S-BGDKL'L		N-BGDKIL, 2CS BG, BI N BG		71x45x46	220-240V		UV1316/A I-3	See sticker in set						
21PT5505/05	252	A10E	RC2563/01	P-BGDKI, S-BGDKL'L		N-BGDKIL, 2CS BG, BI N BG		71x45x46	220-240V		UV1316/A I U-3	See sticker in set						
21PT5505/01	310	L0.1E	RC19039001/01	P-BGDKI, S-BGDKL'L		N-BGDKIL, F-BG, MONO		67x46x44	220-240V		UR1316RA/I-3	See sticker in set						
21PT5505/01S	310	L0.1E	RC19039001/01	P-BGDKI, S-BGDKL'L		N-BGDKIL, F-BG, MONO		67x46x44	220-240V		UR1316RA/I-3	220	246	159	184	244	54	67
21PT5505/21	326	L0.1H.1A	RC2882/01	P-BGHDKI, S-BGDKK1, N-M/3, 58(6.5)/4, 43		N-BGDDID, 2SC-BGDK, AV S		90-276V	90-276V		TEDE9-228A	9	20	34	9	10	113	0
21PT5505/21S	326	L0.1H.1A	RC2882/01	P-BGHDKI, S-BGDKK1, N-M/3, 58(6.5)/4, 43		N-DKBDGDIID, 2SC-BGDK, AV S		90-276V	90-276V		TEDE9-228A	9	21	34	9	30	113	0
21PT5505/21S	326	L0.1H.1A	RC2882/01	P-BGHDKI, S-BGDKK1, N-M/3, 58(6.5)/4, 43		N-DKBDGDIID, 2SC-BGDK, AV S		90-276V	90-276V		TEDE9-228A	9	21	34	9	30	113	0
21PT5403/01Z	238	L9H.1E	n.a.	P-BGI, S-L'L		N-BG, 2CS-BG		66x54x47	220-240V		TEDE9-004A	See sticker in set						
21PT5403/05Z	238	L9H.1E	n.a.	P-BGI, S-L'L		NICAM, 2CS		66x54x47	220-240V		TEDE9-004A	See sticker in set						
21PT5403/21R	238	L9H.1E	RC2884/01	P-BGI, S-L'L		N-DK, 2CS-DK		69x46x52	220-240V		TEDE9-004A	See sticker in set						
21PT5403/25R	238	L9H.1E	RC2884/01	P-BGI, S-L'L		NICAM, 2CS		66x54x47	220-240V		TEDE9-004A	See sticker in set						
21HT5403/78R	238	L9H.1E	n.a.	P-BGDK, S-BGDK		NICAM, 2CS		66x54x47	220-240V		TEDE9-004A	See sticker in set						
21HT5404/01Z	352	L0.1H.1E	n/a	P-BGDKI, S-BGDKK1, N-M		N-BGDKIL, F-BG, MONO, AV S		69x55x46	220-240V		TEDE9-228A	9	17	34	9	22	122	0
21HT5404/05Z	352	L0.1H.1E	n/a	P-BGDKI, S-BGDKK1, N-M		N-BGDKIL, F-BG, MONO, AV S		69x55x46	220-240V		TEDE9-228A	9	17	34	9	22	122	0
21HT5404/25R	352	L0.1H.1E	RC86703/01	P-BGDKI, S-BGDKK1, N-M		N-BGDKIL, F-BG, MONO, AV S		69x55x46	220-240V		TEDE9-228A	9	17	34	9	22	122	0
21HT5421/1R	238	L9H.1E	RC2884/01	P-BGDKI, S-BGDKK1, N-M		N-BGDKIL, F-BG, MONO, AV S		69x55x46	220-240V		TEDE9-228A	9	17	34	9	22	122	0
21HT5423/25R	238	L9H.1E	RC2884/01	P-BGI, S-L'L		MONO		66x54x47	220-240V		UV1316/A I U-3	See sticker in set						
21PT2252/56A	326	L0.1A	RC19042001/01	P-BGDKI, S-BGDKK1, N-M		N-BGDDID, 2SC-BGDK, F-BG, AV S		67x52x46	90-276V		UV1356A/AIG-3	160	247	193	168	244	212	44
21PT2252/57R	326	L0.1A	RC19042001/01	P-BGDKI, S-BGDKK1, N-M		N-BGDDID, 2SC-BGDK, F-BG, AV S		67x52x46	90-276V		UV1356A/AIG-3	160	247	193	168	244	212	44
21PT2252/67R	326	L0.1A	RC19335003/01	P-BGDKI, S-BGDKK1, N-M		N-BGDKI, 2CS-BG, F-BG, AV S		67x52x46	90-276V		UV1356A/AIG-3	160	215	193	168	244	212	43
21PT2252/68R	326	L0.1A	RC19042001/01	P-BGDKI, S-BGDKK1, N-M		N-BGDDID, 2SC-BGDK, F-BG, AV S		67x52x46	90-276V		UV1356A/AIG-3	176	247	193	168	244	212	44
21PT2252/79R	326	L0.1A	RC19042001/01	P-BGDKI, S-BGDKK1, N-M		N-BGDDID, 2SC-BGDK, F-BG, AV S		67x52x46	90-276V		UV1356A/AIG-3	176	247	193	168	244	212	44
21PT4104/58	292	L9.1E	RC2525/01	P-BGDK, S-BGDK		MONO		69x55x46	90-276V		UV1316/A I U-2	See sticker in set						
21PT4107/58	342	L0.1E	RC19039001/01	P-BGDK, S-BGDK		MONO		69x54x46	220-240V		TEDE9-228A	0	197	224	140	224	8	3
21PT4275/00	256	L9.1E	RC2543/01	P-BGI, S-BGL'L		NICAM BGLI		69x54x46	220-240V		UV1316/A I U-3	See sticker in set						
21PT4275/01	256	L9.1E	RC2525/01	P-BGDKI, S-BGDK		N-BGIL, 2CS-BG, MONO		69x54x46	90-276V		UV1316/A I U-2	See sticker in set						
21PT4275/21	256	L9.1E	RC2543/01	P-BGI, S-BGL'L		N-BGIL, 2CS-BG, MONO		69x54x46	220-240V		UV1316/A I U-3	See sticker in set						
21PT4375/01	292	L9.1E	RC2525/01	P-BGI, S-BGL'L		NICAM, STEREO		69x55x46	90-276V		UV1316/A I U-2	See sticker in set						
21PT4455/00	256	L9.1E	RC2543/01	P-BG		N-BG, F-BG, MONO		69x54x46	220-240V		UV1316/A I U-3	See sticker in set						

Model number survey

MODEL	STYLING	CHASSIS	RC	SYSTEM		SOUND	SIZE		VOLTRANGE	TUNER	OPTION CODES				
				P.-=PAL S.-=SECAM N.-=NTSC	N.-=NICAM F.-=FM/FM	wxhxd (cm)					1 2 3 4				
25PT4455/20	256	L9.1E	RC2525/01	P-BG	N-BG, 2CS-BG, MONO	69x54x46	220-240V		UV1316/A I-U-3	See sticker in set					
25PT4456/00	318	L9.1E	RC2543/01	P-BG	N-BG, F-BG, MONO	67x52x47	220-240V		UV1316/A I-3	See sticker in set					
25PT4456/01	318	L9.1E	RC2543/01	P-BGDKI, S-BGDKLL'	N-BGDKI, F-BG, MONO	67x52x47	220-240V		UV1316/A I-3	See sticker in set					
25PT4456/05	318	L9.1E	RC2543/01	P-BGDKI, S-BGDKLL'	N-BGDKI, F-BG, MONO	67x52x47	220-240V		UV1316/A I-3	See sticker in set					
25PT4456/20	318	L9.1E	RC2543/01	P-BG	N-BG, F-BG, MONO	67x52x47	220-240V		UV1316/A I-3	See sticker in set					
25PT4456/25	318	L9.1E	RC2543/01	P-BG	N-BG, F-BG, MONO	67x52x47	220-240V		UV1316/A I-3	See sticker in set					
25PT4456/48	318	L9.1E	RC2543/01	P-J	N-I, F-BG, MONO	67x52x47	220-240V		UV1316/A I-3	See sticker in set					
25PT4456/58	318	L9.1E	RC2543/01	P-BGDKI, S-BGDK	N-BGDKI, F-BG, Czech, MONO	67x52x47	220-240V		UV1316/A I-3	See sticker in set					
25PT4457/58	343	L01.1E	RC19039001/01	P-BGDKI, S-BGDK	N-BGDKI, F-BG, Czech, MONO	67x52x47	220-240V		UV1316/A I-U-2	See sticker in set					
25PT4475/01	256	L9.1E	RC2525/01	P-BGI, S-BGLL'	NICAM	69x54x46	170-242V		TEDE9-004A	See sticker in set					
25PT4475/05	256	L9.1E	RC2543/01	P-J	N-I, MONO	69x54x46	220-240V		TEDE9-004A	See sticker in set					
25PT4475/21	256	L9.1E	RC2543/01	P-BGI, S-BGLL'	N-BGLI, 2CS-BG, MONO	69x54x46	220-240V		TEDE9-004A	See sticker in set					
25PT4475/48	256	L9.1E	RC2543/01	P-BGDKI, S-BGDK	N-BGDKI, 2CS-BG, MONO	69x54x46	150-264V		TEDE9-004A	See sticker in set					
25PT4475/58	256	L9.1E	RC283509/01	P-BGDKI, S-BGDK	N-BGDKI, 2CS BG	69x54x46	150-264V		TEDE9-004A	See sticker in set					
25PT4655/00	292	L9.1E	RC2525/01	P-BG	NICAM, 2CS	69x55x46	90-276V		TEDE9-004A	See sticker in set					
25PT4655/20	292	L9.1E	RC2543/01	P-BG	N-BG, 2CS-BG	69x55x46	220-240V		TEDE9-004A	See sticker in set					
25PT4675/01	292	L9.1E	RC2525/01	P-BG	N-BG, 2CS-BG	69x55x46	90-276V		TEDE9-004A	See sticker in set					
25PT4675/05	292	L9.1E	RC2525/01	P-J	N-BGLI, 2CS, MONO	69x55x46	90-276V		TEDE9-004A	See sticker in set					
25PT4675/21	292	L9.1E	RC2525/01	P-J	NICAM, 2CS	69x55x46	170-242V		TEDE9-004A	See sticker in set					
25PT5005/00	257	L9.1E	RC2525/01	P-BG	NICAM, 2CS	69x53x46	170-242V		TEDE9-004A	See sticker in set					
25PT5025/01	257	L9.1E	RC2525/01	P-BGI, S-BGLL'	NICAM	69x53x46	170-242V		TEDE9-004A	See sticker in set					
25PT5025/05	257	L9.1E	RC2525/01	P-BG	N-BGDKI, S-BGDKLL'	69x53x46	170-242V		TEDE9-004A	See sticker in set					
25PT5025/58	257	L9.1E	RC2525/01	P-J	NICAM	69x53x46	170-242V		TEDE9-004A	See sticker in set					
25PT5105/00	258	L9.1E	RC2525/01	P-BG	N-BGDKI, S-BGDK	69x53x46	170-242V		TEDE9-004A	See sticker in set					
25PT5105/58	258	L9.1E	RC2543/01	P-BGDKI, S-BGDK	N-BGDKI, 2CS-BG, MONO	69x53x46	150-264V		TEDE9-004A	See sticker in set					
25PT5106/00	318	L9.1E	RC2543/01	P-BG	N-BG, F-BG, MONO	67x52x47	220-240V		TEDE9-004A	See sticker in set					
25PT5106/01	318	L9.1E	RC2543/01	P-BGDKI, S-BGDKLL'	N-BGDKI, F-BG, MONO	67x52x47	220-240V		TEDE9-004A	See sticker in set					
25PT5106/58	318	L9.1E	RC2543/01	P-BGDKI, S-BGDK	N-BGDKI, F-BG, Czech, MONO	67x52x47	220-240V		TEDE9-004A	See sticker in set					
25PT5125/01	258	L9.1E	RC2525/01	P-BGI, S-BGLL'	NICAM	69x53x46	170-242V		TEDE9-004A	See sticker in set					
25PT5125/05	258	L9.1E	RC2525/01	P-J	NICAM	69x53x46	170-242V		TEDE9-004A	See sticker in set					
25PT5155/00/05	258	L9.1E	RC2525/01	P-BG	N-BG, F-BG, MONO	67x52x47	220-240V		TEDE9-004A	See sticker in set					
25PT5305/00	250	L9.1E	RC2543/01	P-BG	N-BG, 2CS-BG, MONO	69x51x48	220-240V		TEDE9-004A	See sticker in set					
25PT5305/01	250	L9.1E	RC2543/01	P-BGI, S-BGLL'	N-BGDKI, 2CS-BG, MONO	69x51x48	220-240V		TEDE9-004A	See sticker in set					
25PT5305/58	250	L9.1E	RC2543/01	P-BGDKI, S-BGDK	N-BGDKI, 2CS-BG, MONO	69x51x48	150-276V		TEDE9-004A	See sticker in set					
25RFL160/37R	326	L01.1U	RC19036002/01	N-M	B-DBX	67x52x46	90-140V		ENV 56D9863	0 23 129 162	252 152 0				
25RFL160/85R	326	L01.1U	RC19036002/01	N-M	B-DBX	67x52x46	90-140V		ENV 56D9863	16 23 129 162	252 152 0				
28DW9625/05R	294	MG4.1E	RC2038	P-BGDKI, S-BGDKLL'	N-BGDKI, F-BG, Czech	79x51x49	220-240V		UV1316/A P-3	See sticker in set					
28DW9625/05R	294	MG4.1E	RC2038/01B	P-BGDKI, S-BGDKLL'	N-BGDKI, F-BG, Czech	79x51x49	220-240V		UV1316/A P-3	See sticker in set					
28HT5403/01Z	238	L9H.1E	n.a.	P-BGI, S-L'	N-BGDKI, 2CS BG	76x58x51	220-240V		TEDE9-004A	See sticker in set					
28HT5403/05Z	238	L9H.1E	n.a.	P-BGI, S-L'	NICAM, 2CS	76x58x51	220-240V		TEDE9-004A	See sticker in set					
28HT5403/21R	238	L9H.1E	RC2884/01	P-BGDKI, S-BGDK	N-BGDKI, 2CS BG	76x58x51	220-240V		TEDE9-004A	See sticker in set					
28HT5403/25R	238	L9H.1E	RC2884/01	P-BGDKI, S-BGDK	N-BGDKI, 2CS BG	76x58x51	220-240V		TEDE9-004A	See sticker in set					
28HT5403/58Z	238	L9H.1E	n.a.	P-BGDKI, S-BGDK	NICAM, 2CS	76x58x51	220-240V		TEDE9-004A	See sticker in set					
28HT5403/78R	238	L9H.1E	RC2884/01	P-BGDKI, S-BGDK	NICAM, 2CS	76x58x51	220-240V		TEDE9-004A	See sticker in set					
28HT5404/01Z	353	L01H.1E	n/a	P-BGDKI, S-BGDKLL'	N-BGDKI, F-BG, MONO, AV S	73x58x46	220-240V		TEDE9-228A	9 17 34 113	22 121 0				
28HT5404/05Z	353	L01H.1E	n/a	P-BGDKI, S-BGDKLL'	N-BGDKI, F-BG, MONO, AV S	73x58x46	220-240V		TEDE9-228A	9 17 34 113	22 121 0				
28HW6404/01Z	354	L01H.1E	n/a	P-BGDKI, S-BGDKLL'	N-BGDKI, F-BG, MONO, AV S	73x58x46	220-240V		TEDE9-228A	9 17 98 13	30 121 0				
28HW6404/05Z	354	L01H.1E	n/a	P-BGDKI, S-BGDKLL'	N-BGDKI, F-BG, MONO, AV S	73x58x46	220-240V		TEDE9-228A	9 17 98 13	30 121 0				
28HW6404/21R	354	L01H.1E	RC86703/01	P-BGDKI, S-BGDKLL'	N-BGDKI, F-BG, MONO, AV S	73x58x46	220-240V		TEDE9-228A	9 17 98 13	30 121 0				
28HW6404/25R	354	L01H.1E	RC86703/01	P-BGDKI, S-BGDKLL'	N-BGDKI, F-BG, MONO, AV S	73x58x46	220-240V		TEDE9-228A	9 17 98 13	30 121 0				
28PT2665/00	320	L9.1E	RC2543/01	P-BGI, S-BGLL'	N-BGDKI, 2CS BG	73x58x46	220-240V		UV1316/A I-3	See sticker in set					
28PT2665/20	320	L9.1E	RC2543/01	P-BG	N-BGLI, F-BG, MONO	73x58x46	220-240V		UV1316/A I-3	See sticker in set					
28PT2665/21	320	L9.1E	RC2543/01	P-BGI, S-BGLL'	N-BGLI, F-BG, MONO	73x58x46	220-240V		UV1316/A I-3	See sticker in set					
28PT2665/48	320	L9.1E	RC2543/01	P-BGDKI, S-BGDK	N-BGDKI, F-BG, Czech, MONO	73x58x46	220-240V		UV1316/A I-3	See sticker in set					
28PT2665/58	320	L9.1E	RC2543/01	P-BGDKI, S-BGDK	N-BGDKI, F-BG, Czech, MONO	73x58x46	220-240V		UV1316/A I-3	See sticker in set					
28PT4104/58	293	L9.1E	RC283509/01	P-BGDKI, S-BGDK	MONO	77x58x48	150-264V		TEDE9-004A	See sticker in set					
28PT4255/00	256	L9.1E	RC2525/01	P-BG	NICAM, 2CS	77x58x48	90-276V		TEDE9-004A	See sticker in set					
28PT4255/20	256	L9.1E	RC2543/01	P-BG	N-BG, 2CS-BG	77x58x48	220-240V		TEDE9-004A	See sticker in set					

Model number survey

MODEL	STYLING	CHASSIS	RC	SYSTEM	SOUND	SIZE	VOLTRANGE	TUNER	OPTION CODES				
				P...=PAL S...=SECAM N...=NTSC	N...=NICAM F...=FM/AM	wxhtxd (cm)			1 2 3 4	5	6	7	
28PT4275/01	L9.1E		RC2525/01	P-BGI, S-BGLL'	NICAM, STEREO	77x58x48	90-276V	TEDE9-004A	See sticker in set				
28PT4375/01	L9.1E		RC2525/01	P-BGI, S-BGLL'	NICAM, STEREO	77x58x48	90-276V	TEDE9-004A	See sticker in set				
28PT4404/20	L9.1E		RC19ED	P-BG	MONO	77x58x48	220-240V	TEDE9-004A	See sticker in set				
28PT4404/58	L9.1E		RC19ED	P-BG	N-BG, 2CS-BG	77x58x48	150-264V	TEDE9-004A	See sticker in set				
28PT4406/01	L01.1E		RC19039001/01	P-BGDKI, S-BGDKL'	N-BGDKL, F-BG, MONO	73x58x46	220-240V	TEDE9-228A	See sticker in set				
28PT4426/58	L01.1E		RC19039001/01	P-BGDKI, S-BGDKL'	N-BGDKI, F-BG/Czech, MONO	73x58x46	220-240V	TEDE9-228A	See sticker in set	220 247 225 56	240 38	3	
28PT4455/00	L01.1E		RC2525/01	P-BG	NICAM	77x58x48	170-242V	TEDE9-004A	See sticker in set	233 51 128 121	254 158	9	
28PT4455/20	L9.1E		RC2525/01	P-BG	MONO	77x58x48	220-240V	TEDE9-004A	See sticker in set				
28PT4455/30	L9.1E		RC2543/01	P-BG	N-BG, F-BG, MONO	77x58x48	220-240V	UVI316/A I-U-3	See sticker in set				
28PT4456/00	L9.1E		RC2543/01	P-BG	N-BG, F-BG, MONO	73x58x46	220-240V	UVI316/A I-3	See sticker in set				
28PT4456/05	L9.1E		RC2543/01	P-BGDKI, S-BGDKL'	N-BGDKL, F-BG, MONO	73x58x46	220-240V	UVI316/A I-3	See sticker in set				
28PT4456/58	L9.1E		RC2543/01	P-BGDKI, S-BGDKL'	N-BGDKI, F-BG/Czech, MONO	73x58x46	220-240V	UVI316/A I-3	See sticker in set				
28PT4457/01	L01.1E		RC19039001/01	P-BGDKI, S-BGDKL'	N-BGDKI, F-BG, MONO	73x58x46	220-240V	URI316R/A I-3	See sticker in set	216 247 225 56	240 38	3	
28PT4457/05	L01.1E		RC19039001/01	P-BGDKI, S-BGDKL'	N-BGDKI, F-BG, MONO	73x58x46	220-240V	URI316R/A I-3	See sticker in set	216 247 225 184	240 54	3	
28PT4457/58	L01.1E		RC19039001/01	P-BGDKI, S-BGDKL'	N-BGDKI, F-BG/Czech, MONO	73x58x46	220-240V	URI316R/A I-3	See sticker in set	216 247 225 184	240 54	3	
28PT4475/01	L9.1E		RC2525/01	P-BGI, S-BGLL'	NICAM	77x58x48	170-242V	TEDE9-004A	See sticker in set	233 51 130 121	254 158	11	
28PT4475/05	L9.1E		RC2525/01	P-J	NICAM	77x58x48	170-242V	TEDE9-004A	See sticker in set	233 51 130 121	254 158	73	
28PT4475/21	L9.1E		RC2543/01	P-BGI, S-BGLL'	N-BGIL, 2CS-BG, MONO	77x58x48	220-240V	TEDE9-004A	See sticker in set				
28PT4475/58	L9.1E		RC2525/01	P-BGI, S-BGLL'	NICAM, 2CS	77x58x48	90-276V	TEDE9-004A	See sticker in set				
28PT4655/20	L9.1E		RC2525/01	P-BG	NICAM, 2CS	77x58x48	220-240V	TEDE9-004A	See sticker in set				
28PT4655/50	L9.1E		RC2543/01	P-BG	N-BG, 2CS-BG, MONO	77x58x48	220-240V	TEDE9-004A	See sticker in set				
28PT4657/01	L9.1E		RC2543/01	P-BG	N-BG, 2CS-BG, MONO	77x58x48	220-240V	TEDE9-004A	See sticker in set				
28PT4675/05	L9.1E		RC2525/01	P-J	NICAM, 2CS	77x58x48	220-240V	TEDE9-004A	See sticker in set				
28PT4755/00	L9.1E		RC283509/01	P-BG	N-BG, 2CS BG, MONO	85x73x59	220-240V	TEDE9-004A	See sticker in set				
28PT4755/00S	L9.1E		RC2543/01	P-BG	N-BG, 2CS BG, MONO	85x73x59	220-240V	TEDE9-004A	See sticker in set				
28PT4757/01	L9.1E		RC283509/01	P-BGI, S-BGLL'	2CS-BG, N-BG, MONO	85x73x59	220-240V	TEDE9-004A	See sticker in set				
28PT4775/21	L9.1E		RC2543/01	P-BG	N-BGIL, 2CS-BG, MONO	85x73x59	220-240V	TEDE9-004A	See sticker in set				
28PT4855/00S	L9.1E		RC2543/01	P-BG	N-BG, F-BG, MONO	85x73x59	220-240V	TEDE9-004A	See sticker in set				
28PT5025/01	L9.1E		RC2525/01	P-BG	NICAM, 2CS	85x73x59	90-276V	TEDE9-004A	See sticker in set	233 251 128 121	254 222	11	
28PT5025/05	L9.1E		RC2525/01	P-J	NICAM	85x73x59	170-242V	TEDE9-004A	See sticker in set	232 251 128 121	254 222	73	
28PT5025/58	L9.1E		RC2525/01	P-BGDKI, S-BGDKL'	NICAM	85x73x59	170-242V	TEDE9-004A	See sticker in set	232 203 132 121	254 222	74	
28PT5105/05	L9.1E		RC2525/01	P-BG	NICAM	85x73x59	170-242V	TEDE9-004A	See sticker in set	232 251 128 121	254 222	9	
28PT5105/58	L9.1E		RC2543/01	P-BGDKI, S-BGDKL'	N-BGDKI, 2CS-BG, MONO	85x73x59	150-276V	TEDE9-004A	See sticker in set				
28PT5106/00	L9.1E		RC2543/01	P-BG	N-BG, F-BG, MONO	73x58x46	220-240V	UVI316/A I-3	See sticker in set				
28PT5106/01	L9.1E		RC2543/01	P-BGDKI, S-BGDKL'	N-BGDKI, F-BG, MONO	73x58x46	220-240V	UVI316/A I-3	See sticker in set				
28PT5106/58	L9.1E		RC2543/01	P-BGDKI, S-BGDKL'	N-BGDKI, F-BG, MONO	73x58x46	220-240V	UVI316/A I-3	See sticker in set				
28PT5107/01	L01.1E		RC19039001/01	P-BGDKI, S-BGDKL'	N-BGDKI, F-BG, MONO	73x58x46	220-240V	URI316R/A I-3	See sticker in set	216 247 225 184	240 54	3	
28PT5107/58	L01.1E		RC19039001/01	P-BGDKI, S-BGDKL'	N-BGDKI, F-BG/Czech, MONO	73x58x46	220-240V	URI316R/A I-3	See sticker in set	216 247 225 184	240 54	0	
28PT5125/01	L9.1E		RC2525/01	P-BGI, S-BGLL'	NICAM	76x48x58	170-242V	TEDE9-004A	See sticker in set	232 251 128 121	254 222	11	
28PT5125/05	L9.1E		RC2525/01	P-J	NICAM	76x48x58	170-242V	TEDE9-004A	See sticker in set	232 251 128 121	254 222	73	
28PT5155/00S	L9.1E		RC2543/01	P-BG	N-BG, 2CS-BG, MONO	76x48x58	220-240V	TEDE9-004A	See sticker in set				
28PT5205/00	L9.1E		RC2543/01	P-BG	NICAM, 2CS	76x48x58	220-240V	TEDE9-004A	See sticker in set				
28PT5205/01	L9.1E		RC2525/01	P-BG	NICAM, 2CS	76x48x58	220-240V	TEDE9-004A	See sticker in set				
28PT5205/12	EM2E		RC2592/01B	P-BGDKI, S-BGDKL'	N-BGDKL, 2SC-BG	76x51x58	220-240V	UVI316/A I X U-3	See sticker in set				
28PT5405/01	A10E		RC2563/01	P-BGDKI, S-BGDKL'	N-BGDKI, F-BG/Czech	78x59x50	220-240V	UVI316/A I U-3	See sticker in set				
28PT5406/01	A10E		RC2563/01	P-BGDKI, S-BGDKL'	NICAM, 2CS	81x50x52	220-240V	TEDE9-004A	See sticker in set				
28PT5407/01	L01.1E		RC19039001/01	P-BGDKI, S-BGDKL'	N-BGDKL, 2SC-BG, F-BG	79x51x53	220-240V	UVI316/A I U-3	See sticker in set				
28PT5407/05	L01.1E		RC19039001/01	P-BGDKI, S-BGDKL'	N-BGDKI, F-BG, MONO	81x50x52	220-240V	TEDE9-228A	See sticker in set	28 214 158 140	244 2	67	
28PT6005/01	L01.1E		RC19039001/01	P-BGDKI, S-BGDKL'	N-BGDKI, F-BG, MONO	81x50x52	220-240V	TEDE9-228A	See sticker in set	28 214 158 140	244 2	67	
28PT6005/05	A10E		RC2563/01	P-BGDKI, S-BGDKL'	N-BGDKI, 2CS BG, BI N BG	81x50x52	220-240V	UVI316/A I U-3	See sticker in set				
28PT6006/01	L01.1E		RC19039001/01	P-BGDKI, S-BGDKL'	N-BGDKI, F-BG, MONO	81x50x52	220-240V	UVI316/A I U-3	See sticker in set				
28PT6006/05	L01.1E		RC19039001/01	P-BGDKI, S-BGDKL'	N-BGDKI, F-BG, MONO	81x50x52	220-240V	UVI316/A I U-3	See sticker in set				
28PT6006/21	L01.1E		RC19039001/01	P-BGDKI, S-BGDKL'	N-BGDKI, F-BG, MONO	89x58x56	220-240V	URI316R/A I-3	See sticker in set	220 246 159 184	244 54	67	
28PT6006/25	L01.1E		RC19039001/01	P-BGDKI, S-BGDKL'	N-BGDKI, F-BG, MONO	89x58x56	220-240V	URI316R/A I-3	See sticker in set	220 246 159 184	244 54	67	
28PW6006/48	L01.1E		RC19039001/01	P-BGDKI, S-BGDKL'	N-BGDKI, F-BG/Czech, MONO	89x58x56	220-240V	URI316R/A I-3	See sticker in set	220 246 158 140	244 54	65	

Model number survey

MODEL	STYLING	CHASSIS	RC	SYSTEM P...=PAL S...=SECAM N...=NTSC	SOUND N...=NICAM F...=FM/FM	SIZE wxhxd (cm)	VOLTRANGE	TUNER	OPTION CODES 1 2 3 4	6	7
28PW6006/58	311	L01.1E	RC19039001/01	P-BGDK,S-BGDK	N-BGDK,I,-F-BG/Czech,MONO	65x56x56	220-240V	URI1316/1A I-3	220 246 158 140	244	65
28PW6305/01	291	A10E	RC2563/01	P-BGDK,I,-S-BGDKLL'	N-BGDKLL,2CS BG,BI N BG	79x51 x49	220-240V	UV1316/A I U-3	See sticker in set		
28PW6305/05	291	A10E	RC2563/01	P-BGDK,I,-S-BGDKLL'	N-BGDKLL,2CS BG,BI N BG	79x51 x53	220-240V	UV1316/A I U-3	See sticker in set		
28PW6305/58	291	A10E	RC2563/01	P-BGDK,I,-S-BGDK	N-BGDK,2CS,BG,BI N-BG	79x51 x53	160-176V	UV1316/A I U-3	See sticker in set		
28PW6315/01	298	A10E	RC2563/01	P-BGDK,I,-S-BGDKLL'	N-BGDKLL,2SC-BG	81x50x52	220-240V	TEDE9-004A	See sticker in set		
28PW6515/05	260	A10E	RC2563/01	P-BGDK,I,-S-BGDKLL'	N-BGDKLL,2SC-BG	81x50x52	220-240V	TEDE9-004A	See sticker in set		
28PW6515/05	260	A10E	RC2563/01	P-BGDK,I,-S-BGDKLL'	NICAM,2CS	79x51 x52	220-240V	UV1316/A I U-3	See sticker in set		
28PW6526/01	304	A10E	RC2563/01	P-BGDK,I,-S-BGDKLL'	N-BGDKLL,2SC-BG	79x51 x52	220-240V	TEDE9-004A	See sticker in set		
28PW6526/05	304	A10E	RC2563/01	P-BGDK,I,-S-BGDKLL'	N-BGDKLL,2SC-BG, F-BG	79x51 x52	220-240V	TEDE9-004A	See sticker in set		
28PW6816/01	304	A10E	RC2563/01	P-BGDK,I,-S-BGDKLL'	N-BGDKLL,2SC-BG, F-BG	79x51 x52	220-240V	TEDE9-004A	See sticker in set		
28PW6816/05	304	A10E	RC2563/01	P-BGDK,I,-S-BGDKLL'	N-BGDKLL,2SC-BG, F-BG	79x51 x52	220-240V	TEDE9-004A	See sticker in set		
28PW6826/01	304	A10E	RC2563/01	P-BGDK,I,-S-BGDKLL'	N-BGDKLL,2SC-BG, F-BG	79x51 x52	220-240V	TEDE9-004A	See sticker in set		
28PW6826/12R	296	EM2E	RC2592/01B	P-BGDK,I,-S-BGDKLL'	NICAM,2CS	77x49x51	220-240V	UV1316/A I U-3	See sticker in set		
28PW68506/12	296	EM2E	RC2592/01B	P-BGDK,I,-S-BGDKLL'	NICAM,2CS	77x49x51	220-240V	UV1316/A I U-3	See sticker in set		
28PW68506/12R	296	EM2E	RC2592/01B	P-BGDK,I,-S-BGDKLL'	NICAM,2CS	77x49x51	220-240V	UV1316/A I U-3	See sticker in set		
28PW68506/19	296	EM2E	RC2592/01B	P-BGDK,I,-S-BGDKLL'	NICAM,2CS	77x49x51	220-240V	UV1316/A I U-3	See sticker in set		
28PW68506/19R	296	EM2E	RC2592/01B	P-BGDK,I,-S-BGDKLL'	NICAM,2CS	77x49x51	220-240V	UV1316/A I U-3	See sticker in set		
28PW68506/58	296	EM2E	RC2592/01B	P-BGDK,I,-S-BGDKLL'	NICAM,2CS	77x49x51	220-240V	UV1316/A I U-3	See sticker in set		
28PW6870/12	305	EM2E	RC2592/01B	P-BGDK,I,-S-BGDKLL'	N-BGDKLL, F-BG/Czech	77x49x51	220-240V	UV1316/A I U-3	See sticker in set		
28PW6870/19	305	EM2E	RC2592/01B	P-BGDK,I,-S-BGDKLL'	N-BGDKLL, F-BG/Czech	77x49x51	220-240V	UV1316/A I U-3	See sticker in set		
28PW6870/758	305	EM2E	RC2592/01B	P-BGDK,I,-S-BGDKLL'	N-BGDKLL, F-BG/Czech	77x49x51	220-240V	UV1316/A I U-3	See sticker in set		
28PW68806/12	266	MG2.1E	RC2592/01B	P-BGDK,I,-S-BGDKLL'	NICAM BGLI	77x50x49	220-240V	UV1316/A I-2	See sticker in set		
28PW68806/12R	266	MG2.1E	RC2592/01B	P-BGDK,I,-S-BGDKLL'	NICAM BGLI	77x50x49	220-240V	UV1316/A I-2	See sticker in set		
28PW68806/19	266	MG2.1E	RC2592/01B	P-BGDK,I,-S-BGDKLL'	NICAM BGLI	77x50x49	220-240V	UV1316/A I-2	See sticker in set		
28PW68806/58	266	MG2.1E	RC2592/01B	P-BGDK,I,-S-BGDKLL'	NICAM BGLI	77x50x49	220-240V	UV1316/A I-3	See sticker in set		
28PW8806/712	305	EM3E	RC2592/01B	P-BGDK,I,-S-BGDKLL'	N-BGDKLL, F-BG/Czech	77x49x51	220-240V	UV1316/A I U-3	See sticker in set		
28PW8807/19	305	EM3E	RC2592/01B	P-BGDK,I,-S-BGDKLL'	N-BGDKLL, F-BG/Czech	77x49x51	220-240V	UV1316/A I U-3	See sticker in set		
28PW8807/758	305	EM3E	RC2592/01B	P-BGDK,I,-S-BGDKLL'	NICAM BGLI Dolby	79x51 x49	220-240V	UV1316/A I-2	See sticker in set		
28PW9252/05L	229	MG7.1E	RC2033/01B	P-BGDK,I,-S-BGDKLL'	NICAM BGLI Dolby	79x51 x49	220-240V	UV1316/A P-3	See sticker in set		
28PW9252/05R	229	MG7.1E	RC2033/01B	P-BGDK,I,-S-BGDKLL'	NICAM BGLI Dolby	79x51 x49	220-240V	UV1316/A I-2	See sticker in set		
28PW9252/12L	229	MG7.1E	RC2033/01B	P-BGDK,I,-S-BGDKLL'	N-BGDKLL, F-BG/Czech	79x51 x49	220-240V	UV1316/A I-2	See sticker in set		
28PW9252/12R	229	MG7.1E	RC2033/01B	P-BGDK,I,-S-BGDKLL'	N-BGDKLL, F-BG/Czech	79x51 x49	220-240V	UV1316/A P-3	See sticker in set		
28PW9252/19L	229	MG7.1E	RC2033/01B	P-BGDK,I,-S-BGDKLL'	NICAM BGLI Dolby	79x51 x49	220-240V	UV1316/A I-2	See sticker in set		
28PW9252/19R	229	MG7.1E	RC2033/01B	P-BGDK,I,-S-BGDKLL'	NICAM BGLI Dolby	79x51 x49	220-240V	UV1316/A I-2	See sticker in set		
28PW9252/58L	229	MG7.1E	RC2033/01B	P-BGDK,I,-S-BGDKLL'	NICAM BGLI Dolby	79x51 x49	220-240V	UV1316/A I-2	See sticker in set		
28PW9252/58R	229	MG7.1E	RC2033/01B	P-BGDK,I,-S-BGDKLL'	NICAM BGLI Dolby	79x51 x49	220-240V	UV1316/A I-2	See sticker in set		
28PW9516/01	229	MG3.1E	RC2033/01B	P-BGDK,I,-S-BGDKLL'	NICAM BGLI Dolby	79x51 x49	220V	UV1316/A I-2	See sticker in set		
28PW9616/05	229	MG3.1E	RC2033/01B	P-BGDK,I,-S-BGDKLL'	NICAM BGLI Dolby	79x51 x49	220V	UV1316/A I-2	See sticker in set		
28PW9616/05R	229	MG3.1E	RC2033/01B	P-BGDK,I,-S-BGDKLL'	N-BGDKLL, F-BG/Czech	79x51 x49	220-240V	UV1316/A I-3	See sticker in set		
28PW9616/12	229	MG3.1E	RC2033/01B	P-BGDK,I,-S-BGDKLL'	NICAM BGLI Dolby	79x51 x49	220V	UV1316/A I-2	See sticker in set		
28PW9616/12R	229	MG3.1E	RC2033/01B	P-BGDK,I,-S-BGDKLL'	NICAM BGLI Dolby	79x51 x49	220V	UV1316/A I-2	See sticker in set		
28PW9616/1658R	229	MG3.1E	RC2033/01B	P-BGDK,I,-S-BGDKLL'	N-BGDKLL, F-BG/Czech	79x51 x49	220-240V	UV1316/A I-3	See sticker in set		
28PW9617/05	355	MG3.2E	RC2044/01B	P-BGDK,I,-S-BGDKLL'	N-BGDKLL, F-BG/Czech	74x49x50	220-240V	UV1316/A I X-3	See sticker in set		
28PW9617/12	355	MG3.2E	RC2044/01B	P-BGDK,I,-S-BGDKLL'	N-BGDKLL, F-BG/Czech	74x49x50	220-240V	UV1316/A I X-3	See sticker in set		
28PW9617/58	355	MG3.2E	RC2044/01B	P-BGDK,I,-S-BGDKLL'	N-BGDKLL, F-BG/Czech	74x49x50	220-240V	UV1316/A I X-3	See sticker in set		
28PW9617/68	355	MG3.2E	RC2044/01B	P-BGDK,I,-S-BGDKLL'	N-BGDKLL, F-BG/Czech	74x49x50	220-240V	UV1316/A I X-3	See sticker in set		
28PW9617/69	329	L01H.1A	RC19042001/01	P-BGDK,I,-S-BGDKLL'	N-DKGDIIID,2SC-BGDK,AV S	78x56x52	90-276V	TEDE9-228A	9 21 34 19	22	113 0
29PT2152/56A	329	L01.1A	RC19042001/01	P-BGDK,I,-S-BGDKLL'	N-DKGDIIID,2SC-BGDK,AV S	78x56x52	90-276V	TEDE9-228A	0 247 193 168	228	212 12
29PT2152/65R	329	L01.1A	RC19042001/01	P-BGDK,I,-S-BGDKLL'	AV S	78x56x52	90-276V	TEDE9-228A	0 247 193 40	228	212 12
29PT2152/67R	329	L01.1A	RC19042001/01	P-BGDK,I,-S-BGDKLL'	N-BGDK,I,2SC-BG, F-BG, AV S	78x56x52	90-276V	TEDE9-228A	0 215 193 168	228	212 11
29PT2152/68R	329	L01.1A	RC19042001/01	P-BGDK,I,-S-BGDKLL'	N-BGDKIIID,2SC-BGDK, F-BG, AV S	78x56x52	90-276V	TEDE9-228A	16 247 193 168	228	212 12
29PT2152/69R	329	L01.1A	RC19042001/01	P-BGDK,I,-S-BGDKLL'	N-BGDKIIID,2SC-BGDK, F-BG, AV S	78x56x52	90-276V	TEDE9-228A	16 247 193 168	228	212 12

Model number survey

MODEL	STYLING	CHASSIS	RC	SYSTEM	SOUND	N-NTSC F-NTSC	SIZE w x h d (cm)	VOLTRANGE	TUNER	OPTION CODES						
										1	2	3	4	5	6	7
29PT2152/79R	329	L01.1A	RC19042001/01	P-BGDKI, S-BGDKK1, N-M	N-BGDKI, 2SC-BGDK, F-BG, AV, S	N-BGDKI, 2SC-BGDK, F-BG, AV, S	76x59x50	150-276V	TEDE9-228A	16	247	193	168	228	212	12
29PT2252/56A	328	L01.1A	RC19042001/01	P-BGDKI, S-BGDKK1, N-M	N-BGDKI, 2SC-BGDK, F-BG, AV, S	N-BGDKI, 2SC-BGDK, F-BG, AV, S	78x56x52	90-276V	UVI356A/AIG-3	160	247	193	168	236	212	44
29PT2252/57R	328	L01.1A	RC19042001/01	P-BGDKI, S-BGDKK1, N-M	N-BGDKI, 2SC-BGDK, F-BG, AV, S	N-BGDKI, 2SC-BGDK, F-BG, AV, S	78x56x52	90-276V	UVI356A/AIG-3	160	247	193	168	236	212	44
29PT2252/65R	328	L01.1A	RC19042001/01	P-BGDKI, S-BGDKK1, N-M	N-BGDKI, 2SC-BGDK, F-BG, AV, S	N-BGDKI, 2SC-BGDK, F-BG, AV, S	78x56x52	90-276V	UVI356A/AIG-3	160	247	193	168	236	212	44
29PT2252/67R	328	L01.1A	RC19042001/01	P-BGDKI, S-BGDKK1, N-M	N-BGDKI, 2SC-BGDK, F-BG, AV, S	N-BGDKI, 2SC-BGDK, F-BG, AV, S	78x56x52	90-276V	UVI356A/AIG-3	160	215	193	168	236	212	43
29PT2252/68R	328	L01.1A	RC19042001/01	P-BGDKI, S-BGDKK1, N-M	N-BGDKI, 2SC-BGDK, F-BG, AV, S	N-BGDKI, 2SC-BGDK, F-BG, AV, S	78x56x52	90-276V	UVI356A/AIG-3	176	247	193	168	236	212	44
29PT2252/79R	328	L01.1A	RC19042001/01	P-BGDKI, S-BGDKK1, N-M	N-BGDKI, 2SC-BGDK, F-BG, AV, S	N-BGDKI, 2SC-BGDK, F-BG, AV, S	78x56x52	90-276V	UVI356A/AIG-3	176	247	193	168	236	212	44
29PT5105/00	290	L9.1E	RC2543/01	P-BG	N-BG, 2CS-BG, MONO	N-BG, 2CS-BG, MONO	79x59x51	220-240V	TEDE9-004A	See sticker in set						
29PT5305/00	290	L9.1E	RC2543/01	P-BG	N-BG, F-BG, MONO	N-BG, F-BG, MONO	79x59x51	220-240V	TEDE9-004A	See sticker in set						
29PT5305/00P	290	L9.1E	RC2543/01	P-BG	N-BGL, 2CS-BG, MONO	N-BGL, 2CS-BG, MONO	79x59x51	220-240V	UVI316/A I U-3	See sticker in set						
29PT5305/58	290	L9.1E	RC2543/01	P-BGDKI, S-BGDK	N-BGDKI, 2CS-BG, MONO	N-BGDKI, 2CS-BG, MONO	79x59x51	150-276V	UVI316/A I U-3	See sticker in set						
29PT5306/01	348	L01.1E	RC2543/01	P-BGDKI, S-BGDKLL	N-BGDKI, F-BG, MONO	N-BGDKI, F-BG, MONO	79x59x51	220-240V	TUN V+U PLL IEC BG	See sticker in set						
29PT5306/58	348	L01.1E	RC2543/01	P-BGDKI, S-BGDK	N-BGDKI, F-BG/Czech, MONO	N-BGDKI, F-BG/Czech, MONO	79x59x51	220-240V	TUN V+U PLL IEC BG	See sticker in set						
29PT5506/01	312	L01.1E	RC19039001/01	P-BGDKI, S-BGDKLL	N-BGDKI, F-BG, MONO	N-BGDKI, F-BG, MONO	67x59x51	220-240V	URI316R/A I -3	See sticker in set				244	54	67
29PT5506/01E	312	L01.1E	RC19039001/01	P-BGDKI, S-BGDKLL	N-BGDKI, F-BG, MONO	N-BGDKI, F-BG, MONO	79x59x51	220-240V	URI316R/A I -3	220	246	225	184	244	54	67
29PT5506/58	312	L01.1E	RC19039001/01	P-BGDKI, S-BGDK	N-BGDKI, F-BG/Czech, MONO	N-BGDKI, F-BG/Czech, MONO	65x59x51	220-240V	URI316R/A I -3	220	246	225	184	244	54	65
29PT5515/01	284	A10E	RC2563/01	P-BGDKI, S-BGDKLL	NICAM, 2CS	NICAM, 2CS	79x59x50	220-240V	UVI316/A I U-3	See sticker in set						
29PT5515/01E	284	A10E	RC2563/01	P-BGDKI, S-BGDKLL	N-BGDKI, 2SC-BG, F-BG	N-BGDKI, 2SC-BG, F-BG	79x59x50	220-240V	TEDE9-004A	See sticker in set						
29PT5515/58	284	A10E	RC2563/01	P-BGDKI, S-BGDK	NICAM, 2CS	NICAM, 2CS	79x59x50	160-276V	UVI316/A I U-3	See sticker in set						
29PT5516/01	284	A10E	RC2563/01	P-BGDKI, S-BGDKLL	N-BGDKI, 2SC-BG, F-BG	N-BGDKI, 2SC-BG, F-BG	79x59x50	220-240V	TEDE9-004A	See sticker in set						
29PT5516/01E	284	A10E	RC2563/01	P-BGDKI, S-BGDK	N-BGDKI, 2SC-BG, F-BG	N-BGDKI, 2SC-BG, F-BG	79x59x50	220-240V	TEDE9-004A	See sticker in set						
29PT5516/58	284	A10E	RC2563/01	P-BGDKI, S-BGDK	N-BGDKI, 2SC-BG, F-BG	N-BGDKI, 2SC-BG, F-BG	79x59x50	160-276V	TEDE9-004A	216	247	65	116	208	54	2
29PT6021/56A	297	A10A	RC283508/01	P-BGDKI, S-BGDK, N-M	N-BGDKI, 2SC-BG, F-BG/Czech	N-BGDKI, 2SC-BG, F-BG/Czech	79x59x53	90-276V	TEDE9-004A	122	153	194	63	24	0	0
29PT6021/57R	297	A10A	RC283508/01	P-BGDKI, S-BGDK, N-M	N-BGDKI, 2SC-BG, F-BG/Czech	N-BGDKI, 2SC-BG, F-BG/Czech	78x59x53	90-276V	TEDE9-004A	122	153	194	63	24	0	0
29PT6021/61R	297	A10A	RC283508/01	P-BGDKI, S-BGDK, N-M	N-BGDKI, 2SC-BG, F-BG/Czech	N-BGDKI, 2SC-BG, F-BG/Czech	78x59x53	90-276V	TEDE9-004A	122	153	194	63	24	0	0
29PT6021/61R	297	A10A	RC283508/01	P-BGDKI, S-BGDK, N-M	N-BGDKI, 2SC-BG, F-BG/Czech	N-BGDKI, 2SC-BG, F-BG/Czech	78x59x53	90-276V	TEDE9-004A	121	36	17	252	96	0	0
29PT6021/69R	297	A10A	RC283508/01	P-BGDKI, S-BGDK, N-M	N-BGDKI, 2SC-BG, F-BG/Czech	N-BGDKI, 2SC-BG, F-BG/Czech	78x59x53	90-276V	TEDE9-004A	122	153	194	63	24	0	0
29PT6021/71R	297	A10A	RC283508/01	P-BGDKI, S-BGDK, N-M	N-BGDKI, 2SC-BG, F-BG/Czech	N-BGDKI, 2SC-BG, F-BG/Czech	78x59x53	90-276V	TEDE9-004A	121	36	17	252	96	0	0
29PT6021/73R	297	A10A	RC283508/01	P-BGDKI, S-BGDK, N-M	N-BGDKI, 2SC-BG, F-BG/Czech	N-BGDKI, 2SC-BG, F-BG/Czech	78x59x53	90-276V	TEDE9-004A	121	36	17	252	96	0	0
29PT6021/79R	297	A10A	RC283508/01	P-BGDKI, S-BGDK, N-M	N-BGDKI, 2SC-BG, F-BG/Czech	N-BGDKI, 2SC-BG, F-BG/Czech	78x59x53	90-276V	TEDE9-004A	122	153	194	63	24	0	0
29PT6341/61R	297	A10A	RC283508/01	P-BGDKI, S-BGDK, N-M	N-BGDKI, 2SC-BG, F-BG/Czech	N-BGDKI, 2SC-BG, F-BG/Czech	78x59x53	90-276V	TEDE9-004A	122	153	194	63	24	0	0
29PT6341/69R	297	A10A	RC283508/01	P-BGDKI, S-BGDK, N-M	N-BGDKI, 2SC-BG, F-BG/Czech	N-BGDKI, 2SC-BG, F-BG/Czech	78x59x53	90-276V	TEDE9-004A	123	229	17	254	96	0	0
29PT6341/71R	297	A10A	RC283508/01	P-BGDKI, S-BGDK, N-M	N-BGDKI, 2SC-BG, F-BG/Czech	N-BGDKI, 2SC-BG, F-BG/Czech	78x59x53	90-276V	TEDE9-004A	123	229	17	254	96	0	0
29PT6341/71R	297	A10A	RC283508/01	P-BGDKI, S-BGDK, N-M	N-BGDKI, 2SC-BG, F-BG/Czech	N-BGDKI, 2SC-BG, F-BG/Czech	78x59x53	90-276V	TEDE9-004A	123	229	17	254	96	0	0
29PT6361/56A	297	A10A	SBHV00020A	P-BGDKI, S-BGDK, N-M	N-BGDKI, 2SC-BG, F-BG/Czech	N-BGDKI, 2SC-BG, F-BG/Czech	79x59x50	90-276V	TEDE9-004A	123	253	255	159	214	0	0
29PT6361/57R	297	A10A	SBHV00020A	P-BGDKI, S-BGDK, N-M	N-BGDKI, 2SC-BG, F-BG/Czech	N-BGDKI, 2SC-BG, F-BG/Czech	79x59x50	90-276V	TEDE9-004A	123	253	255	159	214	0	0
29PT6361/61R	297	A10A	RC2511/01	N-M	N-BGDKI, 2SC-BG, F-BG/Czech	N-BGDKI, 2SC-BG, F-BG/Czech	79x59x50	90-276V	TEDE9-004A	123	245	253	253	253	96	0
29PT6361/69R	297	A10A	SBHV00020A	P-BGDKI, S-BGDK, N-M	N-BGDKI, 2SC-BG, F-BG/Czech	N-BGDKI, 2SC-BG, F-BG/Czech	79x59x50	90-276V	TEDE9-004A	123	253	255	159	214	0	0
29PT6361/71R	297	A10A	RC2511/01	N-M	N-BGDKI, 2SC-BG, F-BG/Czech	N-BGDKI, 2SC-BG, F-BG/Czech	79x59x50	90-276V	TEDE9-004A	123	253	255	159	214	0	0
29PT6361/79B	297	A10A	SBHV00020A	P-BGDKI, S-BGDK, N-M	N-BGDKI, 2SC-BG, F-BG/Czech	N-BGDKI, 2SC-BG, F-BG/Czech	79x59x50	90-276V	TEDE9-004A	123	253	255	159	214	0	0
29PT6361/79R	297	A10A	SBHV00020A	P-BGDKI, S-BGDK, N-M	N-BGDKI, 2SC-BG, F-BG/Czech	N-BGDKI, 2SC-BG, F-BG/Czech	79x59x50	90-276V	TEDE9-004A	123	253	255	159	214	0	0
29PT6361/57R	297	A10A	RC2576/01	N-M	N-BGDKI, 2SC-BG, F-BG/Czech	N-BGDKI, 2SC-BG, F-BG/Czech	78x59x53	90-276V	TEDE9-004A	94	111	191	140	0	0	0
29PT6361/69R	297	A10A	RC2576/01	N-M	N-BGDKI, 2SC-BG, F-BG/Czech	N-BGDKI, 2SC-BG, F-BG/Czech	78x59x53	90-276V	TEDE9-004A	94	111	191	140	0	0	0
29PT6361/71R	297	A10A	RC2576/01	N-M	N-BGDKI, 2SC-BG, F-BG/Czech	N-BGDKI, 2SC-BG, F-BG/Czech	78x59x53	90-276V	TEDE9-004A	94	111	191	140	0	0	0
29PT6361/79R	301	EM1A	SBHV00022A	P-BGDKI, S-BGDK, N-M	N-BGDKI, 2SC-BG, F-BG/Czech	N-BGDKI, 2SC-BG, F-BG/Czech	81x50x52	160-276V	TEDE9-004A	See sticker in set						
29PT6361/93R	301	EM1A	SBHV00022A	P-BGDKI, S-BGDK, N-M	N-BGDKI, 2SC-BG, F-BG/Czech	N-BGDKI, 2SC-BG, F-BG/Czech	81x50x52	160-276V	TEDE9-004A	See sticker in set						
29PT6361/95R	301	EM1A	SBHV00022A	P-BGDKI, S-BGDK, N-M	N-BGDKI, 2SC-BG, F-BG/Czech	N-BGDKI, 2SC-BG, F-BG/Czech	81x50x52	160-276V	TEDE9-004A	See sticker in set						
29PT6361/96R	301	EM1A	SBHV00022A	P-BGDKI, S-BGDK, N-M	N-BGDKI, 2SC-BG, F-BG/Czech	N-BGDKI, 2SC-BG, F-BG/Czech	81x50x52	160-276V	TEDE9-004A	See sticker in set						
29PT6361/97R	301	EM1A	SBHV00022A	P-BGDKI, S-BGDK, N-M	N-BGDKI, 2SC-BG, F-BG/Czech	N-BGDKI, 2SC-BG, F-BG/Czech	81x50x52	160-276V	TEDE9-004A	See sticker in set						
29PT6419/56R	301	EM2E	SBHV00030A	P-BGDKI, S-BGDK, N-M	N-BGDKI, 2SC-BG, F-BG/Czech	N-BGDKI, 2SC-BG, F-BG/Czech	81x50x52	160-276V	TEDE9-004A	See sticker in set						
29PT6419/57R	301	EM2E	SBHV00030A	P-BGDKI, S-BGDK, N-M	N-BGDKI, 2SC-BG, F-BG/Czech	N-BGDKI, 2SC-BG, F-BG/Czech	81x50x52	160-276V	TEDE9-004A	See sticker in set						
29PT6419/61R	301	EM2E	SBHV00032A	P-BGDKI, S-BGDK, N-M	N-BGDKI, 2SC-BG, F-BG/Czech	N-BGDKI, 2SC-BG, F-BG/Czech	81x50x52	160-276V	TEDE9-004A	See sticker in set						
29PT6419/69R	301	EM2E	SBHV00032A	P-BGDKI, S-BGDK, N-M	N-BGDKI, 2SC-BG, F-BG/Czech	N-BGDKI, 2SC-BG, F-BG/Czech	81x50x52	160-276V	TEDE9-004A	See sticker in set						
29PT6419/71R	301	EM2E	SBHV00032A	P-BGDKI, S-BGDK, N-M	N-BGDKI, 2SC-BG, F-BG/Czech	N-BGDKI, 2SC-BG, F-BG/Czech	81x50x52	160-276V	TEDE9-004A	See sticker in set						
29PT6419/77R	301	EM2E	SBHV00032A	P-BGDKI, S-BGDK, N-M	N-BGDKI, 2SC-BG, F-BG/Czech	N-BGDKI, 2SC-BG, F-BG/Czech	81x50x52	160-276V	TEDE9-004A	See sticker in set						
29PT6419/78R	301	EM2E	SBHV00032A	P-BGDKI, S-BGDK, N-M	N-BGDKI, 2SC-BG, F-BG/Czech	N-BGDKI, 2SC-BG, F-BG/Czech	81x50x52	160-276V	TEDE9-004A	See sticker in set						
29PT6419/79R	301	EM2E	SBHV00032A	P-BGDKI, S-BGDK, N-M	N-BGDKI, 2SC-BG, F-BG/Czech	N-BGDKI, 2SC-BG, F-BG/Czech	81x50x52	160-276V	TEDE9-004A	See sticker in set						
29PT6419/93R	301	EM2E	SBHV00030A	P-BGDKI, S-BGDK, N-M	N-BGDKI, 2SC-BG, F-BG/Czech	N-BGDKI, 2SC-BG, F-BG/Czech	81x50x52	160-276V	TEDE9-004A	See sticker in set						
29PT850																

Model number survey

MODEL	STYLING	CHASSIS	RC	SYSTEM P.-=PAL S.-=SECAM N.-=NTSC	SOUND N.-=NICAM F.-=FM/IFM	SIZE w x h x d (cm)	VOLTRANGE	TUNER	OPTION CODES	1	2	3	4	5	6	7
29PT9006/12	219	MG2.1E	RC2592/01B	P-BGDKI,S-BGDKL'	NICAM BGLI,Dolby	76x59x50	220-240V	UV1316/A I-2	See sticker in set							
29PT9006/12B	219	MG3.1E	RC2592/01B	P-BGDKI,S-BGDKL'	N-BGDKIL,F-BG,Czech	76x59x50	220-240V	UV1316/A I-3	See sticker in set							
29PT9006/12R	219	MG2.1E	RC2592/01B	P-BGDKI,S-BGDKL'	N-BGDKIL,F-BG,Czech	76x59x50	220-240V	UV1316/A I-3	See sticker in set							
29PT9006/19	219	MG2.1E	RC2592/01B	P-BGDKI,S-BGDKL'	NICAM BGLI,Dolby	76x59x50	220-240V	UV1316/A I-2	See sticker in set							
29PT9006/19R	219	MG2.1E	RC2592/01B	P-BGDKI,S-BGDKL'	N-BGDKIL,F-BG,Czech	76x59x50	220-240V	UV1316/A I-3	See sticker in set							
29PT9006/58	219	MG2.1E	RC2592/01B	P-BGDKI,S-BGDKL'	NICAM BGLI,Dolby	76x59x50	220-240V	UV1316/A I-2	See sticker in set							
29PT9006/58R	219	MG2.1E	RC2592/01B	P-BGDKI,S-BGDKL'	N-BGDKIL,F-BG,Czech	76x59x50	220-240V	UV1316/A I-3	See sticker in set							
29PT9007/12	331	EM2E	RC2592/01B	P-BGDKI,S-BGDKL'	NICAM BGLI,Dolby	76x59x50	220-240V	UV1316/A I U-3	See sticker in set							
29PT9007/12	331	EM2E	RC2592/01B	P-BGDKI,S-BGDKL'	N-BGDKIL,F-BG,Czech	76x59x50	220-240V	UV1316/A I U-3	See sticker in set							
29PT9007/19	331	EM2E	RC2592/01B	P-BGDKI,S-BGDKL'	NICAM BGLI,Dolby	76x59x50	220-240V	UV1316/A I U-3	See sticker in set							
29PT9007/19	331	EM2E	RC2592/01B	P-BGDKI,S-BGDKL'	N-BGDKIL,F-BG,Czech	76x59x50	220-240V	UV1316/A I U-3	See sticker in set							
29PT9007/58	331	EM2E	RC2592/01B	P-BGDKI,S-BGDKL'	NICAM BGLI,Dolby	76x59x50	220-240V	UV1316/A I U-3	See sticker in set							
29PT9007/58	331	EM2E	RC2592/01B	P-BGDKI,S-BGDKL'	N-BGDKIL,F-BG,Czech	76x59x50	220-240V	UV1316/A I U-3	See sticker in set							
29PT9046/12R	219	MG2.1E	RC2031/01B	P-BGDKI,S-BGDKL'	NICAM BGLI,Dolby	76x59x50	220-240V	UV1316/A I-3	See sticker in set							
29PT9046/58	219	MG2.1E	RC2031/01B	P-BGDKI,S-BGDKL'	N-BGDKIL,F-BG,Czech	76x59x50	220-240V	UV1316/A I-3	See sticker in set							
29PT9046/58R	219	MG2.1E	RC2031/01B	P-BGDKI,S-BGDKL'	NICAM BGLI,Dolby	76x59x50	220-240V	UV1316/A I-3	See sticker in set							
29PT9047/12	331	EM2E	RC2031/01	P-BGDKI,S-BGDKL'	N-BGDKIL,F-BG,Czech	76x59x50	220-240V	UV1316/A I-3	See sticker in set							
29PT9047/12	331	EM2E	RC2031/01	P-BGDKI,S-BGDKL'	N-BGDKIL,F-BG,Czech	76x59x50	220-240V	UV1316/A I-3	See sticker in set							
29PT9047/12	331	EM2E	RC2031/01	P-BGDKI,S-BGDKL'	NICAM BGLI,Dolby	76x59x50	220-240V	UV1316/A I-3	See sticker in set							
29PT9047/58	331	EM2E	RC2031/01B	P-BGDKI,S-BGDKL'	N-BGDKIL,F-BG,Czech	76x59x50	220-240V	UV1316/A I-3	See sticker in set							
29PT9416/12	219	MG3.1E	RC2033/01B	P-BGDKI,S-BGDKL'	NICAM BGLI,Dolby	76x59x50	220-240V	UV1316/A I-3	See sticker in set							
29PT9416/12R	219	MG3.1E	RC2033/01B	P-BGDKI,S-BGDKL'	N-BGDKIL,F-BG,Czech	76x59x50	220-240V	UV1316/A I-3	See sticker in set							
29PT9416/58R	219	MG3.1A	RC2033/01B	P-BGDKI,S-BGDKL'	NICAM BGLI,Dolby	76x59x50	220-240V	UV1316/A I-3	See sticker in set							
29PT9418/56G	219	MG3.1A	RC2012/01	P-BGDKIMN,S-BGDKN,N-M/4,43(5,5)	N-BGDKIL,F-BG,Czech	76x59x50	160-276V	UV1316/A I U-3	See sticker in set							
29PT9418/56G	219	MG3.1A	RC2012/01	P-BGDKIMN,S-BGDKN,N-M/4,43(5,5)	N-BGDKIL,F-BG,Czech	76x59x50	160-276V	UV1316/A I U-3	See sticker in set							
29PT9418/56T	219	MG3.1A	RC2012/01	P-BGDKIMN,S-BGDKN,N-M/4,43(5,5)	N-BGLI,Dolby	76x59x50	160-276V	UV1316/A I-2	See sticker in set							
29PT9418/57G	219	MG3.1A	RC2012/01	P-BGDKIM,S-BGDK,N-M/4,43(5,5)	N-DK1,25C-DK	76x59x50	160-276V	UV1316/A P-3	See sticker in set							
29PT9418/57T	219	MG3.1A	RC2012/01	P-BGDKIM,S-BGDK,N-M/4,43(5,5)	N-BGLI,Dolby	76x59x50	160-276V	UV1316/A P-3	See sticker in set							
29PT9418/69G	219	MG3.1A	RC2012/01	P-BGDKIM,S-BGDK,N-M/4,43(5,5)	N-BG,25C-BG,F-DK	76x59x50	160-276V	UV1316/A P-3	See sticker in set							
29PT9418/69T	219	MG3.1A	RC2012/01	P-BGDKI,S-BGDK,N-M/4,43	NICAM BGI,Dolby	76x59x50	160-276V	UV1316/A P-3	See sticker in set							
29PT9418/79G	219	MG3.1A	RC2012/01	P-BGDKIM,S-BGDK,N-M/4,43(5,5)	N-BG,25C-BG	76x59x50	160-276V	UV1316/A P-3	See sticker in set							
29PT9418/79T	219	MG3.1A	RC2012/01	P-BGDKI,S-BGDK,N-M/4,43	NICAM BGI,Dolby	76x59x50	160-276V	UV1316/A P-3	See sticker in set							
29PT9418/93G	219	MG3.1A	RC2012/01	P-BGDKIM,S-BGDK,N-M/4,43	NICAM BGI,Dolby	76x59x50	160-276V	UV1316/A P-3	See sticker in set							
29PT9418/93T	219	MG3.1A	RC2012/01	P-BGDKI,S-BGDK,N-M/4,43	N-DK,25C-DK	76x59x50	160-276V	UV1316/A P-3	See sticker in set							
30PW9817/17	229	MG3.1U	RC2035/01	N-M	B-DBX	79x51x49	110V	UV1336B/A P,S	See sticker in set							
32DW9625/05	294	MG4.1E	RC2038/01B	P-BGDKI,S-BGDKL'	NICAM BGLI,Dolby	89x60x55	220-240V	UV1316/A P-3	See sticker in set							
32DF9625/05R	335	MG4.1E	RC2038/01B	P-BGDKI,S-BGDKL'	N-BGDKIL,F-BG,Czech	89x60x55	220-240V	UV1316/A P-3	See sticker in set							
32FD9944/01S	394	FM23	RC2042/01			96x51x9	95-264V		See sticker in set							
32PF9964/12S	334-335	F21RE/FM2	RC2042/01			96x51x9	220-240V		See sticker in set							
32PW5405/01	252	A10E	RC2563/01	P-BGDKI,S-BGDKL'	N-BGDKIL,F-BG,Czech	89x57x56	220-240V	UV1316/A P-3	See sticker in set							
32PW5406/01	291	A10E	RC2563/01	P-BGDKI,S-BGDKL'	NICAM, 2CS	89x57x56	220-240V	UV1316/A I U-3	See sticker in set							
32PW5407/01	315	L01.1E	RC19039001/01	P-BGDKI,S-BGDKL'	N-BGDKIL,2SC-BG	92x60x63	220-240V	TEDE9-228A	28 222 158 40	244	2					
32PW5407/05	315	L01.1E	RC19039001/01	P-BGDKI,S-BGDKL'	N-BGDKIL,F-BG,MONO	92x60x63	220-240V	TEDE9-228A	28 222 158 40	244	2					
32PW5407/21	315	L01.1E	RC19039001/01	P-BGDKI,S-BGDKL'	N-BGDKIL,F-BG,MONO	92x60x63	220-240V	TEDE9-228A	28 222 158 40	244	2					
32PW6005/01	252	A10E	RC2563/01	P-BGDKI,S-BGDKL'	N-BGDKIL,2CS BG,BI,N BG	89x57x56	220-240V	UV1316/A I U-3	See sticker in set							
32PW6005/05	252	A10E	RC2563/01	P-BGDKI,S-BGDKL'	N-BGDKIL,2CS BG,BI,N BG	89x57x56	220-240V	UV1316/A I U-3	See sticker in set							
32PW6006/01	313	L01.1E	RC19039001/01	P-BGDKI,S-BGDKL'	N-BGDKIL,F-BG,MONO	89x58x56	220-240V	URI1316R/A I-3	220 254 159 184	244	54					
32PW6006/05	313	L01.1E	RC19039001/01	P-BGDKI,S-BGDKL'	N-BGDKIL,F-BG,MONO	89x58x56	220-240V	URI1316R/A I-3	220 254 159 184	244	54					
32PW6006/21	313	L01.1E	RC19039001/01	P-BGDKI,S-BGDKL'	N-BGDKIL,F-BG,MONO	89x58x56	220-240V	URI1316R/A I-3	220 254 159 184	244	54					
32PW6006/25	313	L01.1E	RC19039001/01	P-BGDKI,S-BGDKL'	N-BGDKIL,F-BG,MONO	89x58x56	220-240V	URI1316R/A I-3	220 254 159 184	244	54					
32PW6006/48	313	L01.1E	RC19039001/01	P-BGDKI,S-BGDKL'	N-BGDKIL,F-BG,Czech,MONO	89x58x56	220-240V	URI1316R/A I-3	28 246 158 40	244	0					
32PW6006/58	313	L01.1E	RC19039001/01	P-BGDKI,S-BGDKL'	N-BGDKIL,F-BG,Czech,MONO	89x58x56	220-240V	URI1316R/A I-3	28 246 158 40	244	0					
32PW6305/01	291	A10E	RC2563/01	P-BGDKI,S-BGDKL'	N-BGDKIL,2CS BG,BI,N BG	89x57x56	220-240V	UV1316/A I U-3	See sticker in set							
32PW6305/05	291	A10E	RC2563/01	P-BGDKI,S-BGDKL'	N-BGDKIL,2CS BG,BI,N BG	89x57x56	220-240V	UV1316/A I U-3	See sticker in set							

Model number survey

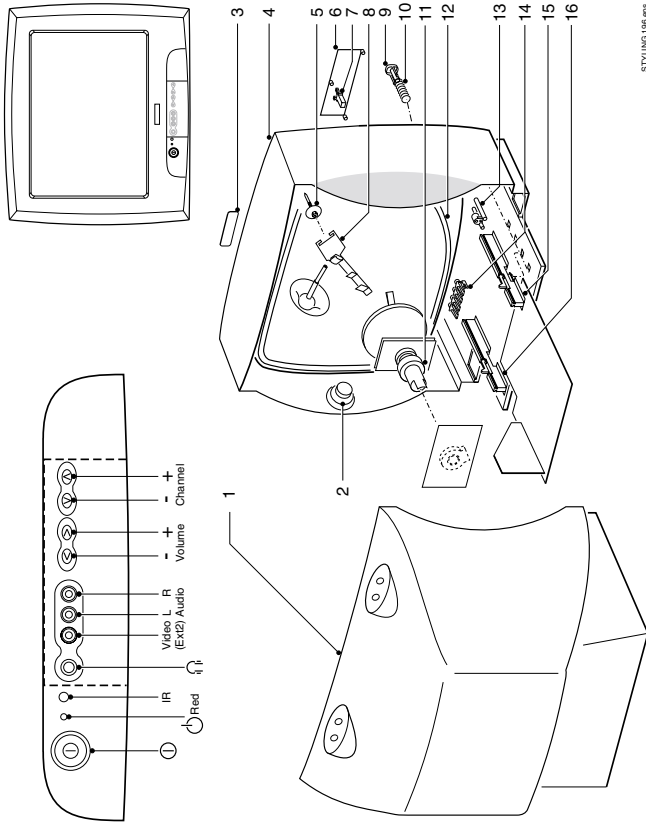
MODEL	STYLING	CHASSIS	RC	SYSTEM	SOUND	SIZE	VOLTRANGE	TUNER	OPTION CODES							
									1	2	3	4	5	6	7	
32PW6305/21	291	A10E	RC2563/01	P-BGDKI, S-BGDKLL	N-BGDKIL, 2SC-BG, F-BG	89x57x56	220-240V	TEDE9-004A								
32PW6305/25	291	A10E	RC2563/01	P-BGDKI, S-BGDKLL	N-BGDKIL, 2SC-BG, F-BG	89x57x56	220-240V	TEDE9-004A								
32PW6305/58	291	A10E	RC2563/01	P-BGDKI, S-BGDK	NICAM, 2CS	89x57x56	160-276V	U1316/A I U-3								
32PW6315/01	298	A10E	RC2563/01	P-BGDKI, S-BGDKLL	Bi-Nicam, N-BGDKIL, 2SC-BG	92x57x56	220-240V	TEDE9-004A								
32PW6315/05	298	A10E	RC2563/01	P-BGDKI, S-BGDKLL	Bi-Nicam, N-BGDKIL, 2SC-BG	92x57x56	220-240V	TEDE9-004A								
32PW6315/21	298	A10E	RC2563/01	P-BGDKI, S-BGDKLL	N-BGDKIL, 2SC-BG, F-BG	92x57x56	220-240V	TEDE9-004A								
32PW6515/25	298	A10E	RC2563/01	P-BGDKI, S-BGDKLL	N-BGDKIL, 2SC-BG, F-BG	92x57x56	220-240V	TEDE9-004A								
32PW6515/01	260	A10E	RC2563/01	P-BGDKI, S-BGDKLL	NICAM, 2CS	89x56x54	220-240V	U1316/A I U-3								
32PW6515/05	260	A10E	RC2563/01	P-BGDKI, S-BGDKLL	NICAM, 2CS	89x56x54	220-240V	U1316/A I U-3								
32PW6515/58	260	A10E	RC2563/01	P-BGDKI, S-BGDK	NICAM, 2CS	89x56x54	160-276V	U1316/A I U-3								
32PW6516/01	260	A10E	RC2563/01	P-BGDKI, S-BGDKLL	N-BGDKIL, 2SC-BG, F-BG	89x56x54	220-240V	TEDE9-004A								
32PW6516/05	260	A10E	RC2563/01	P-BGDKI, S-BGDKLL	N-BGDKIL, 2SC-BG, F-BG	89x56x54	220-240V	TEDE9-004A								
32PW6526/01	332	A10E	RC2563/01	P-BGDKI, S-BGDKLL	N-BGDKIL, 2SC-BG, F-BG	92x57x56	220-240V	TEDE9-004A								
32PW6526/05	332	A10E	RC2563/01	P-BGDKI, S-BGDKLL	N-BGDKIL, 2SC-BG, F-BG	92x57x56	220-240V	TEDE9-004A								
32PW6826/58	332	A10E	RC2563/01	P-BGDKI, S-BGDK	N-BGDKIL, 2SC-BG, F-BG	79x51x52	220-240V	TEDE9-004A								
32PW8206/12	296	EM2E	RC2592/01B	P-BGDKI, S-BGDKLL	N-BGDKIL, 2SC-BG, F-BG	86x55x56	220-240V	U1316/A I U-3								
32PW8206/12R	296	EM2E	RC2592/01B	P-BGDKI, S-BGDKLL	NICAM, 2CS	86x55x56	220-240V	U1316/A I U-3								
32PW8406/12	296	EM2E	RC2592/01B	P-BGDKI, S-BGDKLL	NICAM, 2CS	86x55x56	220-240V	U1316/A I U-3								
32PW8406/12R	296	EM2E	RC2592/01B	P-BGDKI, S-BGDKLL	NICAM, 2CS	86x55x56	220-240V	U1316/A I U-3								
32PW8506/12	296	EM2E	RC2592/01B	P-BGDKI, S-BGDKLL	NICAM, 2CS	86x55x56	220-240V	U1316/A I U-3								
32PW8506/19	296	EM2E	RC2592/01B	P-BGDKI, S-BGDKLL	NICAM, 2CS	86x55x56	220-240V	U1316/A I U-3								
32PW8506/58R	296	EM2E	RC2592/01B	P-BGDKI, S-BGDKLL	NICAM, 2CS	86x55x56	220-240V	U1316/A I U-3								
32PW8707/12	305	EM2E	RC2592/01B	P-BGDKI, S-BGDKLL	N-BGDKIL, F-BG/Czech	86x55x56	220-240V	U1316/A I U-3								
32PW8707/58	305	EM2E	RC2592/01B	P-BGDKI, S-BGDKLL	NICAM BGLI	86x55x56	220-240V	U1316/A I U-3								
32PW8717/12	305	EM2E	RC2592/01B	P-BGDKI, S-BGDKLL	N-BGDKIL, F-BG/Czech	86x55x56	220-240V	U1316/A I X U-3								
32PW8717/19	305	EM2E	RC2592/01B	P-BGDKI, S-BGDKLL	N-BGDKIL, F-BG/Czech	86x55x56	220-240V	U1316/A I X U-3								
32PW8806/12	266	MG2.1E	RC2592/01B	P-BGDKI, S-BGDKLL	NICAM BGLI	86x56x55	220-240V	U1316/A I-2								
32PW8806/19	266	MG2.1E	RC2592/01B	P-BGDKI, S-BGDKLL	NICAM BGLI	86x56x55	220-240V	U1316/A I-2								
32PW8806/19R	266	MG2.1E	RC2592/01B	P-BGDKI, S-BGDKLL	N-BGDKIL, F-BG/Czech	86x56x55	220-240V	U1316/A I-2								
32PW8806/58	266	MG2.1E	RC2592/01B	P-BGDKI, S-BGDKLL	NICAM BGLI	86x56x55	220-240V	U1316/A I-2								
32PW8806/58R	266	MG2.1E	RC2592/01B	P-BGDKI, S-BGDKLL	N-BGDKIL, F-BG/Czech	86x56x55	220-240V	U1316/A I-3								
32PW8807/19	305	EM3E	RC2592/01B	P-BGDKI, S-BGDKLL	N-BGDKIL, F-BG/Czech	86x55x56	220-240V	U1316/A I U-3								
32PW8807/12	305	EM3E	RC2592/01B	P-BGDKI, S-BGDKLL	N-BGDKIL, F-BG/Czech	86x55x56	220-240V	U1316/A I U-3								
32PW8807/58	305	EM3E	RC2592/01B	P-BGDKI, S-BGDKLL	N-BGDKIL, F-BG/Czech	86x55x56	220-240V	U1316/A I U-3								
32PW8807/79	305	EM3E	RC2031/01	P-BGDKI, S-BGDKLL	NICAM BGLI	86x55x56	220-240V	U1316/A I U-3								
32PW8906/19	229	MG3.1E	RC2020/01B	P-BGDKI, S-BGDKLL	NICAM BGLI	89x60x55	220-240V	U1316/A I U-3								
32PW9252/05R	226	MG2.1E	RC2031/01	P-BGDKI, S-BGDKLL	N-BGDKIL, F-BG/Czech	97x55x56	220-240V	U1316/A I-2								
32PW9252/12R	229	MG2.1E	RC2031/01	P-BGDKI, S-BGDKLL	N-BGDKIL, F-BG/Czech	97x55x56	220-240V	U1316/A I-3								
32PW9252/05L	229	MG7.1E	RC2033/01B	P-BGDKI, S-BGDKLL	NICAM BGLI	89x60x55	220-240V	U1316/A I-2								
32PW9252/05R	229	MG7.1E	RC2033/01B	P-BGDKI, S-BGDKLL	NICAM BGLI	89x60x55	220-240V	U1316/A I-2								
32PW9252/12L	229	MG7.1E	RC2033/01B	P-BGDKI, S-BGDKLL	N-BGDKIL, F-BG/Czech	89x60x55	220-240V	U1316/A I-2								
32PW9252/12R	229	MG7.1E	RC2033/01B	P-BGDKI, S-BGDKLL	N-BGDKIL, F-BG/Czech	89x60x55	220-240V	U1316/A I-2								
32PW9252/19R	229	MG7.1E	RC2033/01B	P-BGDKI, S-BGDKLL	NICAM BGLI	89x60x55	220-240V	U1316/A I-2								
32PW9252/58L	229	MG7.1E	RC2033/01B	P-BGDKI, S-BGDKLL	NICAM BGLI	89x60x55	220-240V	U1316/A I-2								
32PW9252/58R	229	MG7.1E	RC2033/01B	P-BGDKI, S-BGDKLL	N-BGDKIL, F-BG/Czech	89x60x55	220-240V	U1316/A I-3								
32PW9534/05R	226	MG2.1E	RC2031/01	P-BGDKI, S-BGDKLL	N-BGDKIL, F-BG/Czech	97x55x56	220-240V	U1316/A I-3								
32PW9534/12R	226	MG2.1E	RC2031/01	P-BGDKI, S-BGDKLL	N-BGDKIL, F-BG/Czech	97x55x56	220-240V	U1316/A I-3								
32PW9544/05R	226	MG2.1E	RC2031/01	P-BGDKI, S-BGDKLL	N-BGDKIL, F-BG/Czech	97x55x56	220-240V	U1316/A I-3								
32PW9544/12R	226	MG2.1E	RC2031/01	P-BGDKI, S-BGDKLL	N-BGDKIL, F-BG/Czech	97x55x56	220-240V	U1316/A I-3								
32PW9544/58M	226	MG7.1E	RC2031/01B	P-BGDKI, S-BGDKLL	NICAM BGLI	97x55x56	220-240V	U1316/A I-2								

Model number survey

MODEL	STYLING	CHASSIS	RC	SYSTEM P...=PAL S...=SECAM N...=NTSC	SOUND N...=NICAM F...=FM/FM	SIZE wtxhxd (cm)	VOLTRANGE	TUNER	OPTION CODES							
									1	2	3	4	5	6	7	
82WA8416/03	296	EM2E	RC2592/01B	P-BGDKI,S-BGDKLL'	N-BGDKIL,F-BG/Czech	77x49x51	220-240V	UV1316/A U-3								
82WA8416/11	296	EM2E	RC2592/01B	P-BGDKI,S-BGDKLL'	N-BGDKIL,F-BG/Czech	77x49x51	220-240V	UV1316/A U-3	See sticker in set							
FTR9952/17	235a	FTV1.9E	RC2036/01	N-M	BTSC	44x17x34	90-276V	FS938E	See sticker in set							
FTR9952/69C	235a	FTV1.9E	RC8106/01	P-BGDKI,S-BGDK,N-M	N-BGI,F-BG	44x17x34	90-276V	FV916M/G/PH	See sticker in set							
FTR9964/12S	334	F21RE	RC2042/01	P-BGDKI,S-BGDKLL',N-M	N-BGIL,2SC-BGDK,MONO	44x10x33	85-264V	UV1316/A I-3	See sticker in set							
FTR9964/69S	235a	FTV2.1E	RC1935/009/01	P-BGDKI,S-BGDK,N-M	N-BGIL,2SC-BGDK,MONO	44x17x34	85-264V	UV1316/A P X-3	See sticker in set							

* See service manual

STYLING 196



STYLING 196.eps
12901

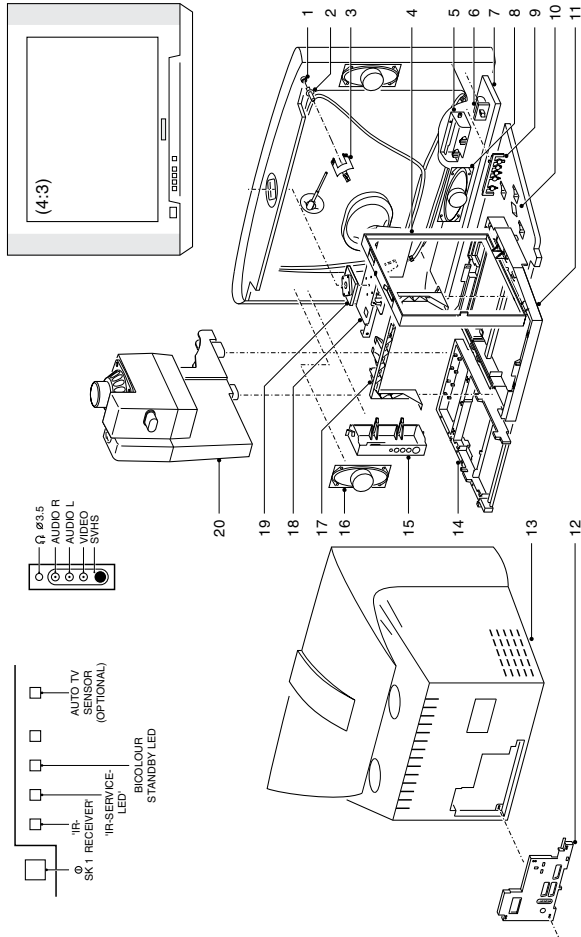
1	4822 426 10615	Rear cover
2ab*	4822 240 20346	Loudspeaker (16Ω 7W)
2c	4822 240 10283	Loudspeaker (16Ω 10W)
3	4822 459 11157	Word mark (PHILIPS)
4a	4822 449 80241	Cabinet
4b	4822 449 80243	Cabinet
4c	4822 449 80249	Cabinet
5	4822 502 30736	Screw fix. CRT
6ab*	4822 443 10921	Door
6c*	4822 443 10946	Door
7	4822 417 50252	Door lock
8	4822 404 30945	Bracket fix. degaussing coil
9	4822 410 11759	Mains knob
10	4822 492 32656	Spring for mains knob
11	Not applicable	
12	4822 157 11532	Degaussing coil
13	Not applicable	
14	4822 410 11761	Operating buttons
15	4822 463 11188	Chassis guide
16	Not applicable	
	4822 321 11139	Mains cord EU
	4822 321 11143	Mains cord UK
b*	4822 532 61151	Bush for stand
b*	4822 462 10686	Stand

*a 21PT1663/01/07/11/43/58/60

*b 21PT1663/05

*c 21PT2683/58

STYLING 219



STYLING 219.eps
12901

1ac*	3122 124 35680	Washer
2a*	4822 500 30034	Picture tube screw
2b*	4822 505 11195	Picture tube screw
3	3139 124 31120	Bracket fix. degaussing coil
4	3104 304 19650	Frame for supply panel
5	4822 402 11176	Bracket mains unit
6abcd*	3104 304 20790	Mains knob
6e*	3104 307 96651	Mains knob
7ab*	3104 328 03961	Cabinet
7c*	3104 328 08991	Cabinet
7d*	3104 328 08721	Cabinet
7e*	3104 328 09151	Cabinet
7f*	3104 328 14701	Cabinet
7g*	3104 328 14691	Cabinet
8	2422 257 20507	Loudspeaker centre
9	3104 304 20800	Light guide
10	4822 466 12141	Bottom plate
11	3104 304 19580	Frame for LSP
12a*	3104 307 95230	Cover plate
12c*	3104 307 96420	Cover plate
12d*	3104 304 19611	Cover plate
12h*	3104 307 97771	Cover plate
13abcd*	3104 307 94920	Rear cover
13e*	3104 307 96631	Rear cover
14	4822 464 10474	Frame for SSP
15	3104 304 20390	Bracket side IO
16	3104 130 01230	Loudspeaker combi
17	3104 304 20260	LOT support bracket
18	4822 464 10475	Bracket top control
19abcd*	3104 304 21630	Keypad
19e*	3104 304 22401	Keypad
20	4822 445 10634	Subwoofer box
	4822 454 13455	Philips emblem
	3104 300 12161	Philips emblem
	3104 300 12080	Matchline emblem
	4822 492 11079	Spring mains switch
	3104 304 19640	Module support bracket on SSP
	9322 147 74682	Picture tube A680CP891X100
	9322 147 75682	Picture tube A680CP891X101 (only -/69)
	3104 207 09590	Remote control RC2034/01B
	3128 147 11811	Remote control RC2012/01
	3104 207 09580	Remote control RC2033/01B
	3104 207 09531	Remote control RC2592/01B
	3104 207 09561	Remote control RC2031/01B
	4622 009 50772	Mains cord
	4622 001 60961	Mains cord (only -/79)
	4622 002 50391	Mains cord (only -/93)
	4822 157 11708	Degaussing coil
	4822 240 10381	Surround sound box
	3104 307 97111	Cover mains harmonic for -/xxR
abcd*		
e*		
abcd*		
e*		
a*		
b*		
c*		
d*		
e*		
a*		
de*		
*a		
*b		
*c		
*d		
*e		
*f		
*g		
*h		

abcd*

e*

abcd*

e*

a*

b*

c*

d*

e*

a*

de*

*a

*b

*c

*d

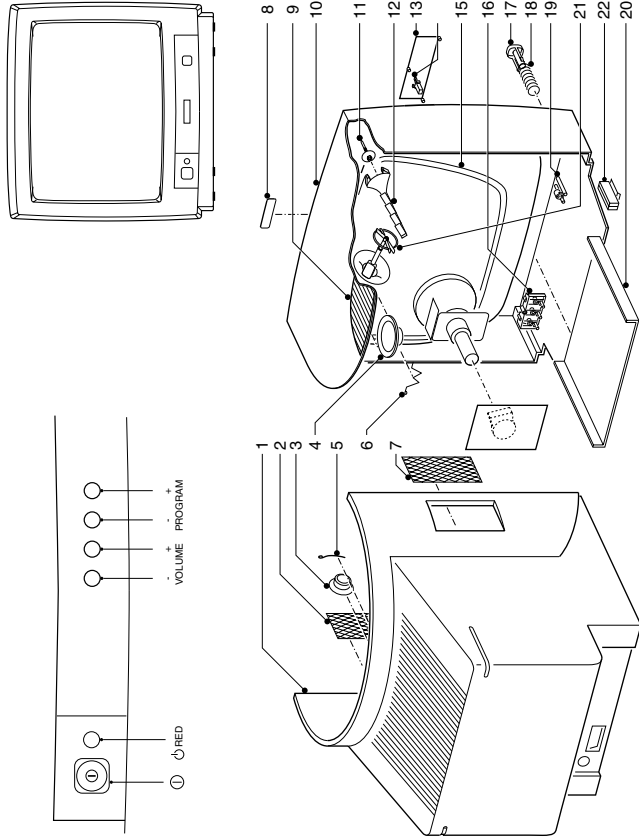
*e

*f

*g

*h

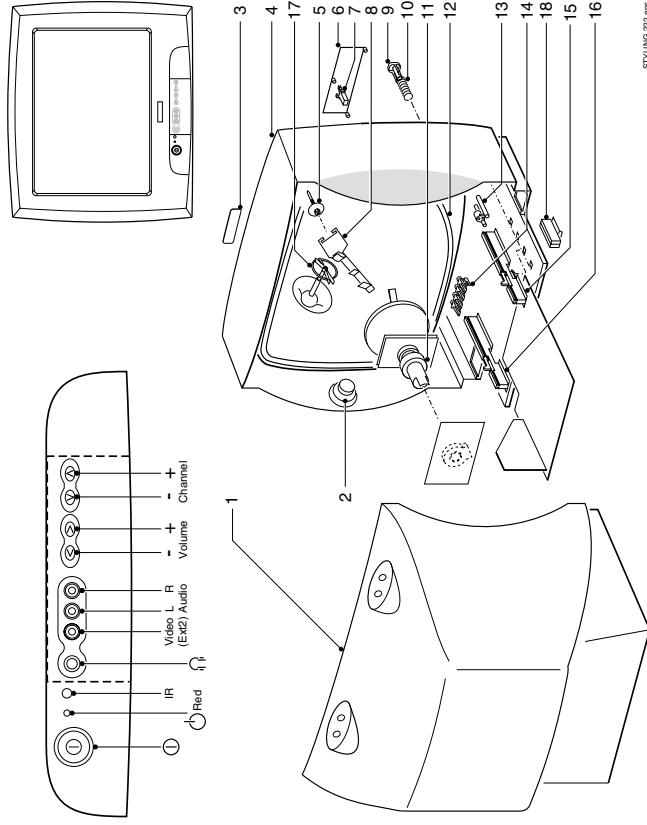
STYLING 221



STYLING 221/21
226001

1a*	3111 257 55111	Rear cover	4822 410 11763	Knob frame	16	4822 410 11763	Knob frame
1b*	3111 254 24891	Rear cover	4822 410 11762	Mains knob	17	4822 410 11762	Mains knob
2a*	4822 458 50532	Speaker grill left	4822 492 32656	Spring mains knob	18a*	4822 492 32656	Spring mains knob
3	Not applicable	Speaker grill right	4822 380 10282	Light guide	19	4822 380 10282	Light guide
4	2422 257 40053	Loudspeaker 8Ω 8W	3111 254 24391	Bottom plate	20b*	3111 254 24391	Bottom plate
5	Not applicable			EHT & degaussing coil clamp	21	4822 401 11765	EHT & degaussing coil clamp
6	Not applicable			Mains cord relief	22a*	4822 466 11453	Mains cord relief
7a*	4822 458 50533	Speaker grill right	4822 404 31291	Mains cord relief	22b*	4822 404 31291	Mains cord relief
8a*	3111 250 00461	Wordmark	9301 835 40301	CRT A41EAM/40X20		9301 835 40301	CRT A41EAM/40X20
8b*	3111 250 00471	Wordmark	4822 321 11499	Mains cord EU		4822 321 11499	Mains cord EU
9b*	4822 458 50534	Top grill	4822 321 11493	Mains cord UK		4822 321 11493	Mains cord UK
10a*	3111 257 55131	Cabinet			*a	17PT1564	
10b*	3111 257 56341	Cabinet			*b	17PT1565	
11a*	4822 502 30739	CRT fixing screw					
11b*	4822 502 14508	Screw & washer					
12	4822 404 31434	Coil clamp					
13	4822 443 10922	Door					
14a*	4822 417 50252	Lock					
15a*	2422 549 44515	Degaussing coil 17"					
15b*	4822 157 11626	Degaussing coil 17"					

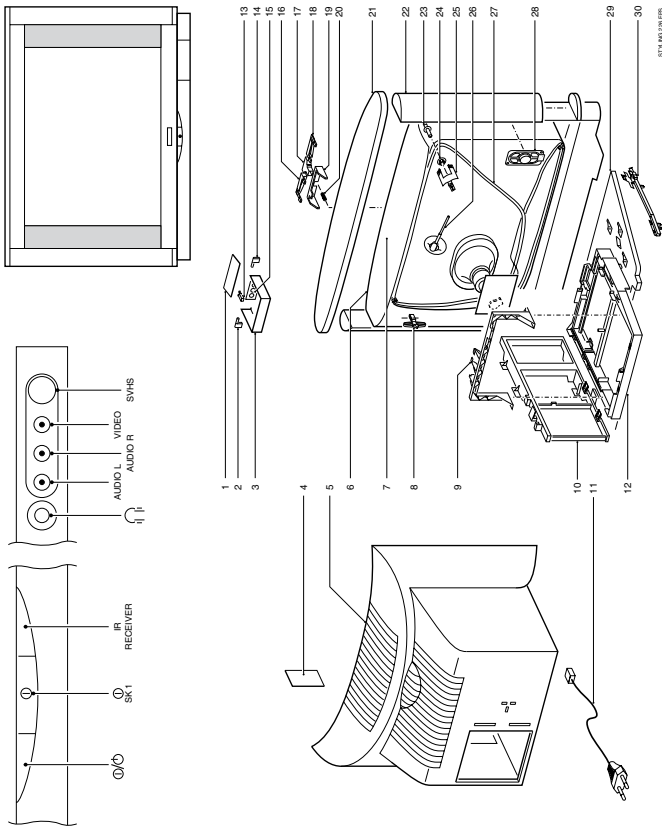
STYLING 222



STYLING 222/21
226001

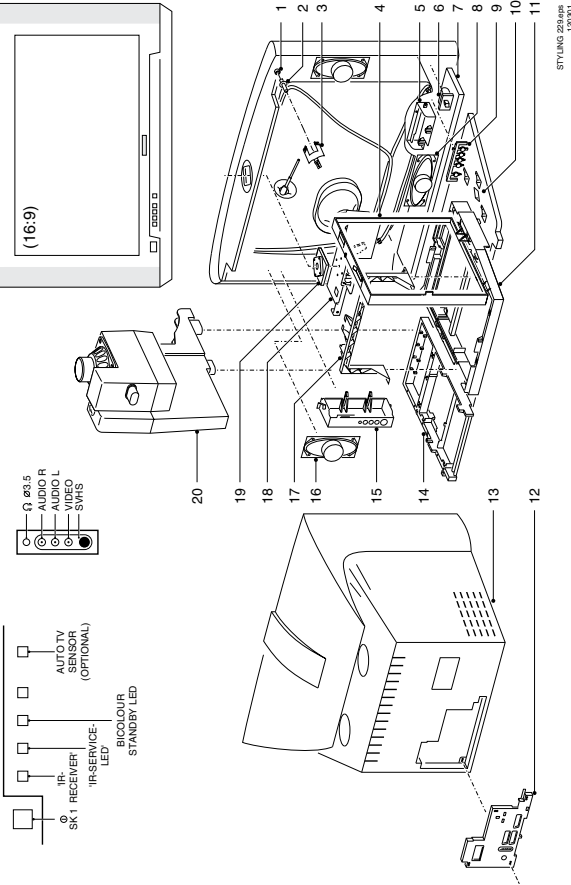
1	3111 254 23201	Rear cover	3111 254 23201	Rear cover	17	3111 254 23481	Coil EHT clamp
1a*	3111 254 24671	Rear cover	3111 254 24671	Rear cover	18	Not applicable	Picture tube 21"
1b*	3111 254 24781	Rear cover	3111 254 24781	Rear cover		9301 736 50342	A51EAL155X47
2	2422 257 40049	Loudspeaker 16Ω 7W	2422 257 40049	Loudspeaker 16Ω 7W		9301 842 70329	Picture tube 21"
3	3111 250 00051	Wordmark	3111 250 00051	Wordmark		9322 165 89682	A51TEFK135X47/56C
3b*	3111 250 00641	Wordmark	3111 250 00641	Wordmark		4622 009 50491	Picture tube 21"
4c*	3111 257 54811	Cabinet	3111 257 54811	Cabinet		4622 009 50511	A51EEER33X72/20/21/21S
4d*	3111 257 55411	Cabinet	3111 257 55411	Cabinet			Mains cord UK
4e*	3111 257 55841	Cabinet	3111 257 55841	Cabinet			Mains cord EU
4f*	3111 257 54911	Cabinet	3111 257 54911	Cabinet			
4g*	3111 257 55561	Cabinet	3111 257 55561	Cabinet	*a	21PT2664/2684	
4h*	3111 257 56131	Cabinet	3111 257 56131	Cabinet	*b	21PT1664/xxS	
4i*	3111 257 56181	Cabinet	3111 257 56181	Cabinet	*d	21PT2264	
5	3119 100 42081	CRT fixing screw	3119 100 42081	CRT fixing screw	*e	21PT2684 EU	
6	3111 254 08631	Door	3111 254 08631	Door	*f	21PT2684 UK	
6f*	3111 254 08641	Door	3111 254 08641	Door	*g	21PT1664/xx EU	
6k*	3111 254 09531	Door	3111 254 09531	Door	*h	21PT1664/xx UK	
7	3111 254 22541	Stopper	3111 254 22541	Stopper	*i	21PT1664/xxS EU	
8	3111 104 44664	Degaussing coil bracket	3111 104 44664	Degaussing coil bracket	*j	21PT1664/xxS UK	
10	3122 121 31662	Compression spring	3122 121 31662	Compression spring	*k	21PT2264	
11	Not applicable	Degaussing coil	Not applicable	Degaussing coil		21PT2664/2684	
12	2422 549 44516	Degaussing coil	2422 549 44516	Degaussing coil			
13	3111 254 24251	Light guide	3111 254 24251	Light guide			
14	3111 254 24241	Knob frame	3111 254 24241	Knob frame			
15	3111 254 24151	Right chassis guide	3111 254 24151	Right chassis guide			
16	Not applicable		Not applicable				

STYLING 226

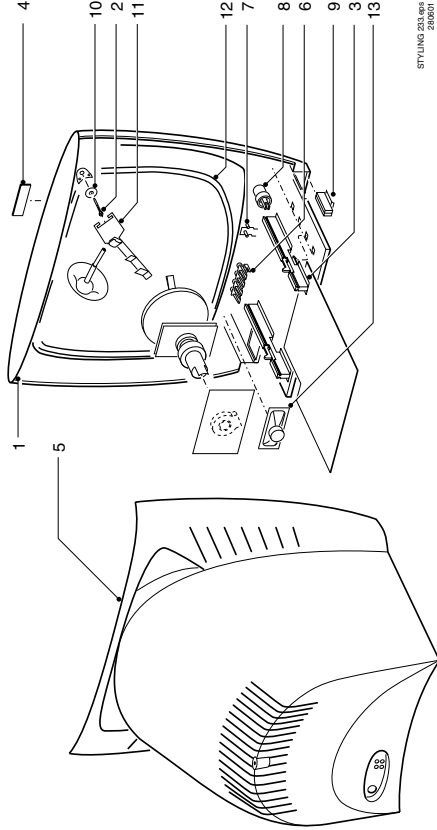
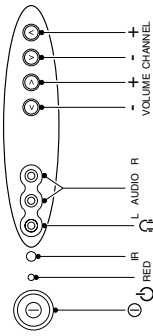
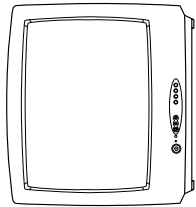


1	4822 443 10878	Door 32PW9523
1	4822 443 11074	Door 32PW9534
1	4822 443 11075	Door 32PW9544
2	4822 417 11339	Hinge right
3	4822 256 10244	Holder for controls
4	4822 466 11774	Blind plate for rear cover 32PW9523
4	4822 466 12061	Blind plate for rear cover 32PW9534
4	4822 466 12063	Blind plate for rear cover 32PW9544
5	4822 426 10578	Rear cover 32PW9523
5	4822 426 10731	Rear cover 32PW9534
5	4822 426 10732	Rear cover 32PW9544
6	Not applicable	Cabinet 32PW9523
7	3104 328 05930	Cabinet 32PW9534
7	3104 328 05940	Cabinet 32PW9544
8	4822 402 10198	Bracket fix rear cover
9	4822 402 11177	LOT support bracket
10	3104 304 21480	Frame for SSP
11	4822 321 11448	Mains cord
11	4622 007 51850	Mains cord UK
11	4622 004 50191	Mains cord -75M
12	3104 304 21470	Frame for LSP
13	4822 417 50258	Locking mechanism
14	4822 417 11341	Hinge left
15	4822 410 10584	Knob frame controls
16	4822 450 10092	Window right
17	4822 410 10348	Mains knob
18	4822 450 10091	Window left
19	3104 304 21550	Support for mains switch
20	4822 492 11079	Spring for mains knob
21	4822 450 10433	Glass plate 32PW9523
21	4822 450 10577	Glass plate 32PW9534
21	4822 450 10578	Glass plate 32PW9544
22	4822 466 11773	Aluminium column
22	4822 466 12062	Aluminium column 32PW9544
23	4822 502 21359	CRT bolt
24	4822 404 31294	CRT fixation VP19100
25	4822 404 31289	Bracket fix degaussing coil (2x)
25	4822 403 70906	Bracket fix degaussing coil (2x)
26	4822 320 20238	EHT cable
27	4822 157 11761	Degaussing coil
28	4822 240 10321	Squeezer (10x)
29	3104 304 21460	Bottom plate
30	4822 404 31291	Holder for mains cord
	4822 445 10616	Subwoofer box
	4822 454 13376	Wordmark Philips 32PW9523
	4822 454 13398	Wordmark Philips 32PW9534
	4822 454 13399	Wordmark Philips 32PW9544
	4822 529 10347	Shock absorber (8x) on back cover
	4822 402 10907	Plug left 32PW9523
	4822 402 11178	Plug left 32PW9534
	4822 402 11181	Plug right 32PW9523
	4822 402 10908	Plug right 32PW9534
	4822 402 11179	Plug right 32PW9544
	4822 402 11182	Plug left 32PW9544
	3104 304 21660	Connector plate 32PW9523
	3104 304 21680	Connector plate 32PW9534
	3104 304 21670	Connector plate 32PW9544
	4822 157 11825	Rotation coil
	4822 131 20705	Picture tube W76ESF031X44
	3104 207 09560	Remote control RC2031/01

STYLING 229



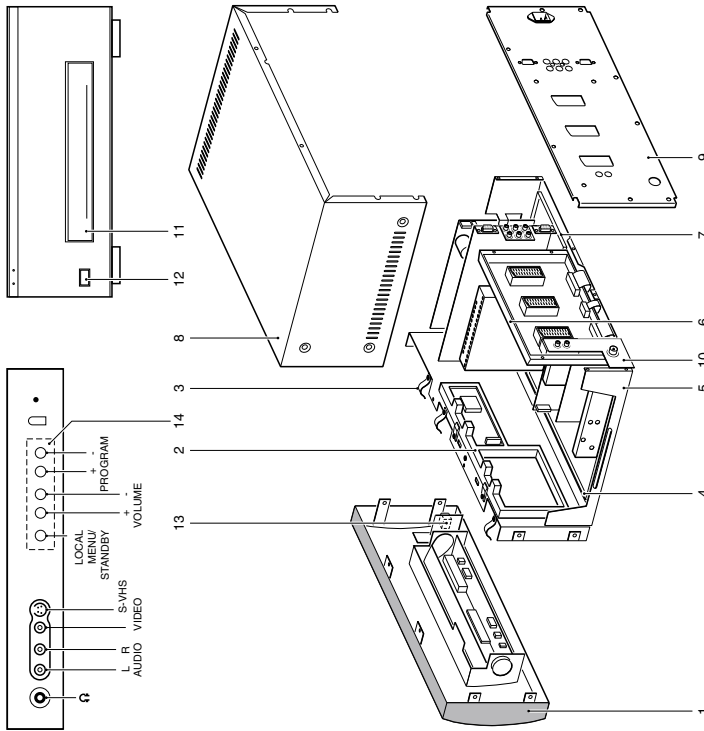
1	4822 404 31294	Insert 32" VP19100
2	4822 505 11195	Picture tube screw 28"
2	4822 502 21359	Picture tube screw 32"
3	4822 403 70906	Bracket fix degaussing coil (2x) 28"
3	4822 404 31289	Bracket fix degaussing coil (2x) 32"
3	3104 304 21091	Bracket fix degaussing coil (2x) 36"
3ijk*	3104 304 21091	Bracket fix degaussing coil (4x)
4	3104 304 19650	Frame for supply panel
5	4822 402 11176	Bracket mains unit
6	3104 304 20790	Mains knob
6e*	3104 304 22321	Mains knob
7a*	3104 307 95240	Cabinet
7b*	3104 328 08671	Cabinet
7c*	3104 328 04820	Cabinet
7d*	3104 328 08661	Cabinet
7e*	3104 328 08971	Cabinet
7f*	3104 328 06362	Cabinet V0
7g*	3104 328 13971	Cabinet V0
7h*	3104 328 16211	Cabinet
7i*	3104 328 20541	Cabinet
7k*	2422 257 20547	Cabinet
8	3104 304 20800	Loudspeaker centre
9	4822 466 12141	Light guide
10*	3104 304 21101	Bottom plate V0
11	3104 304 19580	Frame for LSP
12acefj*	4822 466 12209	Cover plate
12bd*	3104 307 94320	Cover plate
12j*	3104 307 94313	Cover plate
12g*	3104 307 95302	Cover plate
12h*	3104 307 97831	Cover plate
13ab*	3104 307 95250	Rear cover
13cdefj*	3104 307 95200	Rear cover V0
13g*	3104 307 95821	Frame for SSP
14	4822 464 10474	Bracket side IO
15	3104 304 20990	Loudspeaker combi
16	3104 130 01230	LOT support bracket
17	3104 304 20260	Bracket top control
18	4822 464 10475	Keypad
19	3104 304 21630	Keypad
19e*	3104 304 20921	Keypad
19g*	3104 304 22561	Keypad
20	4822 445 10834	Subwoofer box
	4822 454 13455	Philips emblem 28"
	4822 454 13389	Philips emblem 32"
	4822 459 11161	Philips emblem
	3104 300 12080	Matchline emblem
	4822 459 11033	Matchline emblem 28PW9525
	4822 492 11079	Spring mains switch
	3104 304 19640	Module support bracket on SSP
	3104 304 20300	Bracket for DAF panel
	2322 460 91643	DAF polmeter
	2322 460 91641	DAF polmeter
	2422 549 44248	Degaussing coil
	2422 549 44244	Degaussing coil
	8204 000 74951	Degaussing coil
	4822 157 11825	Rotation coil
	3104 304 21031	Bracket for rotation coil
	9301 828 70306	Picture tube W76ERF031X44
	9301 828 00306	Picture tube W76ERF031X44
	9322 173 93682	Picture tube W76EKW10X73
	3104 207 09580	Remote control RC2033/01B
	3104 207 09540	Remote control RC2020/01B
	3104 207 09600	Remote control RC2035/01
	4622 009 50772	Mains cord
	4622 007 50782	Mains cord -05
	2422 070 98129	Mains cord -17
	3104 130 01181	Wireless surround set 864MHz Eur
	3104 130 01251	Wireless surround set 433MHz Eur
	3104 300 20201	Wireless surround set 863MHz UK
	3104 300 213981	Adapter F-pin - IEC
	3135 017 00921	Demo pin
	3104 307 97111	Cable IR shooter
		Cover mains harmonic for -jxxR sets
	28PW9525	
	28PW9616	
	32PW9525	
	32PW9616	
	32PW8906	
	32PW8765	
	30PW9615	
	30PW9817	
	32PW9616/xxM	
	32PW9765/xxM	
	32PW9525 (AG30)	



STYLING 233 (05)
2363001

1aedg*	3111 257 56221	Cabinet	11	4822 404 31025	Bracket degaussing coils
1cl*	3111 257 55011	Cabinet	12	2422 549 44446	Degaussing coil 14"
1k*	3111 257 55021	Cabinet	13	3111 100 55181	Loudspeaker 16Ω 4W
1m*	3111 257 56801	Cabinet		4822 321 11493	Mains cord UK (05)
1bf*	3139 137 55641	Cabinet		4822 321 11499	Mains cord
1h*	3139 137 56141	Cabinet		9301 861 90313	Picture tube 14"
1i*	3139 137 61131	Cabinet		A34EAC01X113	
2	4822 502 30739	CRT screw		3111 257 56161	Aerial telescopic
3	4822 463 11126	Chassis guide (HB)		3111 254 23481	Spacer EHT
3	4822 463 11125	Chassis guide (VO)		4822 526 10663	Multipole unit
4	3111 250 00041	Wordmark Philips	kl*	37TA1274/03=37TA1474/03	
4a*	3111 250 00311	Wordmark Aristona	*a	37TA1274/05	
4b*	3111 250 00121	Wordmark PYE	*b	37TA1274/08	
4c*	3111 250 00141	Wordmark Phonola	*c	37TA1274/11	
4d*	3111 250 00331	Wordmark SBR	*d	37TA1274/16=37TA1474/16	
4epl*	3111 250 00081	Wordmark Radiola	*e	37TA1474/05	
4h*	3111 250 00061	Wordmark Schneider	*f	37TA1474/18	
5	3139 178 04991	Rear cover	*g	37TB1254/19	
5adegklm*	3139 124 29791	Rear cover	*h	37TA1264/18	
5c	3139 124 29701	Rear cover	*i	14PT1354/58	
6	4822 410 12149	Control knob	*j	14PT1324/00	
7	3139 124 26251	Light guide	*k	14PT1345/58	
8	3139 124 26172	Mains knob	*l		
9	4822 466 11453	Mains cord relief	*m		
10	Not applicable				

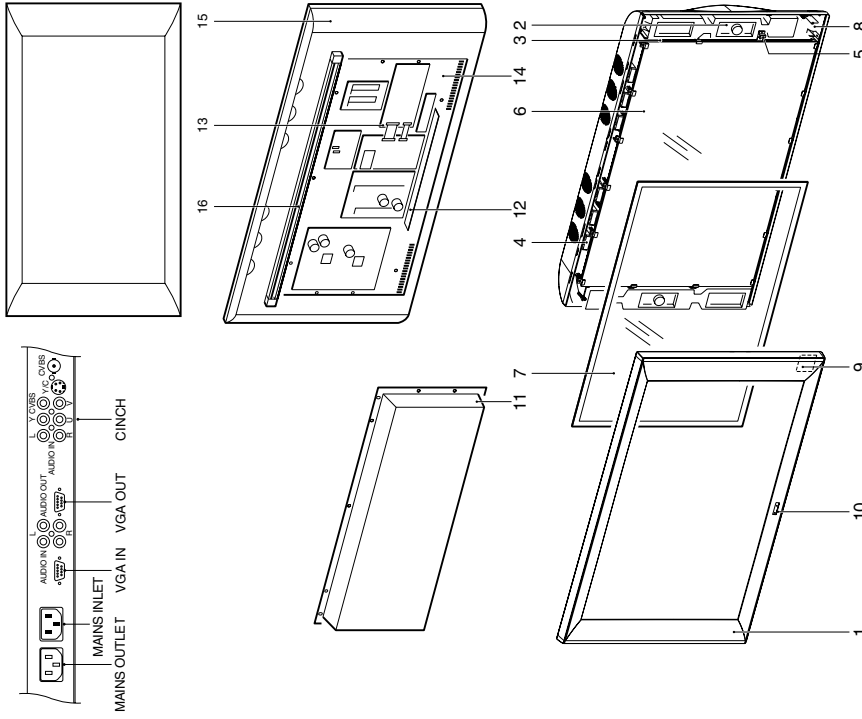
STYLING 235a



STYLING 235a/005
250001

1	3122 128 13063	Front panel
2	3122 124 35641	TXT bracket
3	3122 121 66971	EMC spring front I/O
4	3122 124 35571	4 PCB bracket
5	3122 121 35642	Bottom plate
6	3122 124 35601	Rear I/O-bracket
7	3122 124 35631	SSP bracket
8	3122 128 13081	Top plate painted
9	3122 128 13001	Connector PL
10	Not applicable	
11	3122 128 13012	Door
12	3122 128 13131	Mains knob
13	3122 124 35612	Light guide
14	3104 308 76591	Control knob assy
	3139 117 72651	Wordmark Philips
	9322 127 27676	IR LED
	3122 121 35631	Front shield
	3104 308 76481	Front connections
	3139 117 85331	Leg silver
	3104 304 16374	SSP locking unit
	3104 317 91971	Box supply NEDAP
	4622 007 51971	Mains cord FTR9952/12
	2422 070 98107	Mains cord FTR9952/19

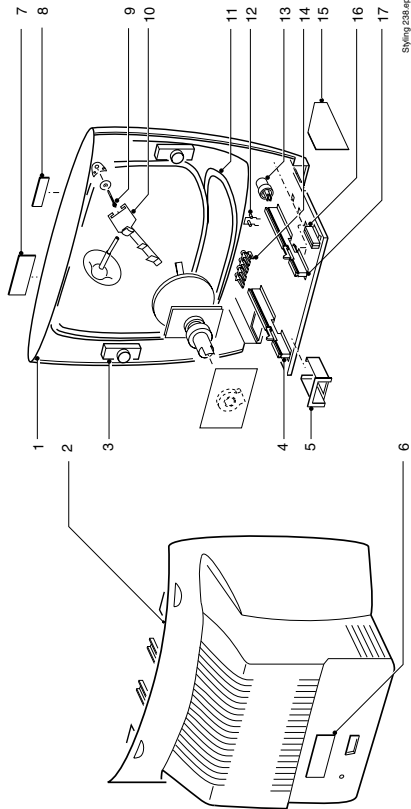
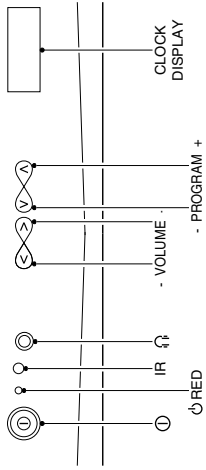
STYLING 235b



STYLING 235b/AI
070700

1	3122 128 13171	Screen frame gray (monitor-only configuration)	15	3122 128 13181	Back display (monitor-only configuration)
1	3122 357 20541	Screen frame purple	16	3122 121 66951	Mount profile
1	3122 357 20551	Screen frame blue		3122 121 66961	Wall mount profile
1	3122 357 20561	Screen frame green		4822 310 11182	Mounting kit assembly
1	3122 357 20571	Screen frame champagne		4822 263 50216	MAC adapter
1a*	3122 128 13162	Screen frame silver		4822 462 10981	Wall spacer
2	3104 130 01391	Loudspeaker assembly		3122 121 66971	EMC spring
3	3122 121 66931	EMC strip		3122 121 67021	EMC strip
4	3104 301 09352	Fan	ab*	2422 070 98107	Mains cord UK/FR
5	3122 121 35601	Glass clip	ab*	4622 007 51971	Mains cord WE
6	9322 137 15682	Display	c*	3122 358 75802	Mains cord
7	3122 124 90741	Glass plate		3122 358 75921	VGA cable 2m
8	3122 128 13141	Mains knob		3122 358 75931	VGA cable 5m
9	3122 124 35651	Light guide		3122 358 76021	VGA cable 10m (only total configuration)
10	3104 300 11991	Wordmark Philips			
11	3122 128 13031	Board encasing			
12	3122 128 13121	Connector plate			
13	2422 015 13083	PCB hinged lock	*a	42PF9952/12S, /19S	
14	3122 121 35611	Back cover	*b	42FD9932/01G, /01S	
15	3122 124 35611	Back display (only total configuration)	*c	42FD9932/17G	

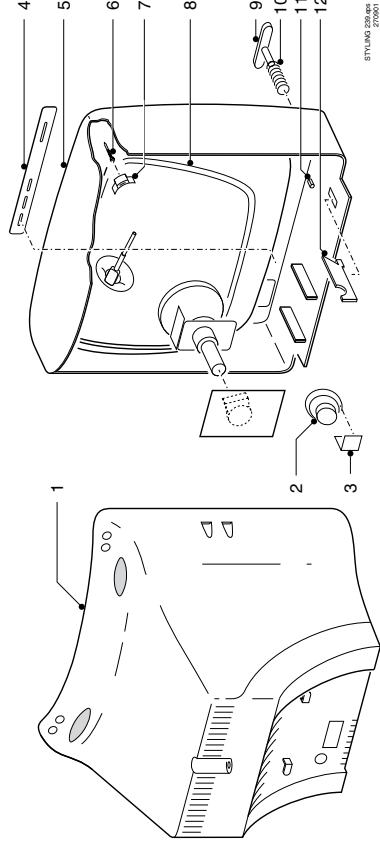
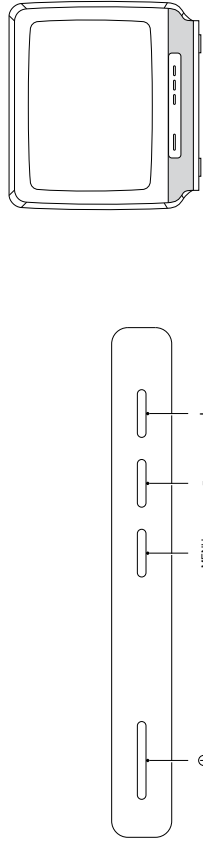
STYLING 238



Styling 238-eps
20001

1	3139 137 65481	Cabinet 25"
1	3139 137 66031	Cabinet 28"
2	3119 104 27812	Back cover 25"
2	3119 104 27830	Back cover 28"
3	4822 240 10263	Loudspeaker 8Ω 5W
4	3139 124 30881	Chassis guide
5	3135 014 08742	Bracket fix. system card
6	3139 124 30571	Cap (for -/01Z/05Z)
6	3119 104 27901	Cap (for -/21R)
7	3119 107 05061	Clock display lens
8	4822 459 11155	Plastic workmark
9	4822 505 11195	Crt fixing screw
10	3104 304 14411	Coil clamp
10	3111 254 23481	Bracket degaussing coil
11	4822 157 11674	Degaussing coil 25"
11	4822 157 11762	Degaussing coil 28"
12	4822 380 10251	Light guide
13	3139 124 30581	Mains knob
14	4822 410 12433	Control knob
15	4822 404 31327	Bracket fix. EPS panel
16	4822 404 31363	Mains cord relief
17	3139 124 30871	Chassis guide (HB)
	4822 131 11184	Picture tube 25" A59EAK071X11
	9301 711 10314	Picture tube 28" A66EAK071X11
	3111 257 54731	Mains cord
	4822 321 11493	Mains cord for /05Z

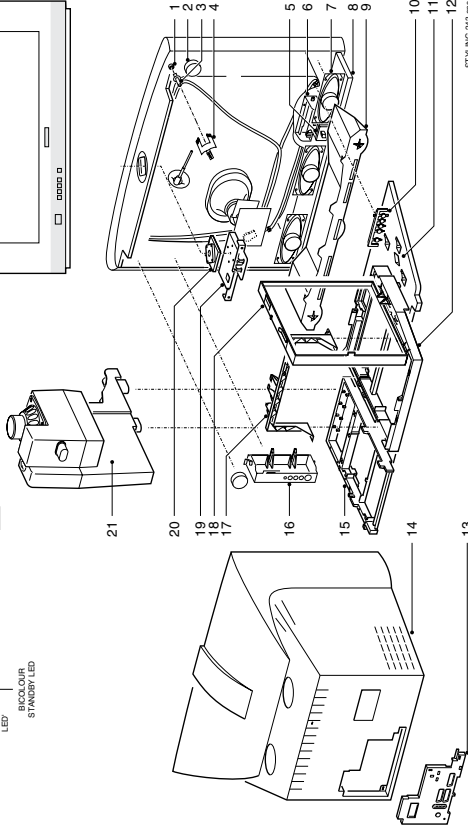
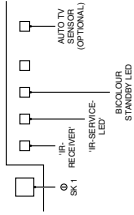
STYLING 239



Styling 239-eps
20001

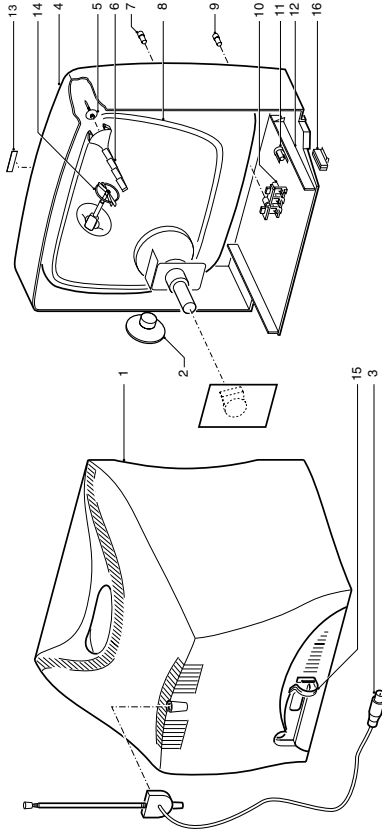
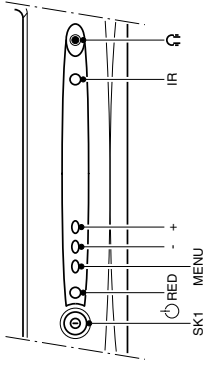
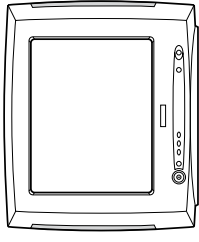
1abdj*	4822 426 10106	Rear cover
1eg*	4822 426 10105	Rear cover
1ch*	4822 426 10104	Rear cover
1j*	3111 254 25341	Rear cover (warm grey)
2	4822 240 10105	Loudspeaker 25Ω 1W
2h*	4822 240 10237	Loudspeaker 8Ω 3W (-/43)
3	4822 402 10181	Bracket for LS fixation
4adj*	3111 254 08051	Printed cover
4b*	3111 254 08101	Printed cover
4c*	4822 426 10103	Printed cover
4e*	4822 381 11708	Printed cover
4g*	3111 254 09941	Printed cover
4h*	3111 254 09781	Printed cover
4i*	3111 254 09951	Printed cover
5a*	3111 254 08191	Cabinet
5bdj*	3111 254 23231	Cabinet
5c*	3111 254 09551	Cabinet
5e*	4822 449 80193	Cabinet
5gj*	4822 449 80044	Cabinet
5h*	4822 449 80043	Cabinet
5j*	3111 254 10121	Cabinet (silver)
6	4822 502 30739	Screw CRT 14"
6dej*	3119 100 42081	Screw CRT 14"
7	4822 462 10682	CRT protection 14"
7ej*	4822 404 30839	CRT protection 20"
8ab*	4822 157 11118	Degaussing coil 14"
8ch*	3128 138 60441	Degaussing coil 21"
8dj*	2422 549 44016	Degaussing coil 14"
9	4822 410 10342	Mains knob
9j*	3111 254 10131	Mains knob (silver)
10	Not applicable	
11	Not applicable	
12	4822 464 10096	Chassis guide
	4822 321 11505	Mains cord for /05, /25
	4822 321 10814	Mains cord
abdj*	4822 131 11357	Picture tube 14"
	A34AG T11X91	Picture tube 14"
d*	3111 258 06541	Picture tube 14"
	CHUNGHWA	Picture tube 21"
ch*	4822 131 11087	Picture tube 21"
	A51EAL135X15	Picture tube 20"
egj*	9322 136 38682	Picture tube 20"
	A48ECR143X18	Bushing CRT fixation
	4822 532 52543	Cable bracket for /05
	4822 402 10179	Stand for /05
	4822 462 10686	Stand for /05
	4822 303 91283	Aerial
dj*	3111 257 56161	Rod Antenna
	4822 462 10682	Cap CRT protection
*a	14PT1542/05	
*b	37TA1263/58	
*c	21PT2563/11	
*d	14PT1542/21, 14PT1342/21, /20, /25	
*e	20PT1342/00	
*f	37TA1220/58	
*g	51TA1462/03	
*h	52TA1420/43, /58	
*i	51TA1262/18	
*j	14PT1342/20S, 14PT1542/20S	

STYLING 243



1	4822 404 31294	Insert 36" VP19100	3104 300 12080	Matchline emblem
2	2404 256 22443	Tweeter (2x)	3104 300 12121	eg* Matchline emblem
3	Not applicable		4822 454 13399	abdfi* Philips emblem
4	3104 304 21090	Bracket fix degaussing coil (4x)	3104 300 12151	eg* Philips emblem
5abdfi*	3104 307 95680	Mains knob	4822 492 11079	Spring mains switch
5eg*	3104 307 96651	Mains knob	3104 304 19640	Module support bracket on SSP
6	4822 402 11176	Bracket mains unit	3104 304 21031	Bracket for rotation coil
7	2422 257 34442	Loudspeaker (3x)	3104 304 20300	Bracket for DAF panel
8a*	3104 328 04841	Cabinet	2322 460 91631	DAF potmeter 36"
8b*	3104 328 08651	Cabinet	3104 304 21081	V0 plate for rear cover
8c*	3104 328 06511	Cabinet V0	2422 549 44242	Degaussing coil 36"
8d*	3104 328 06601	Cabinet V0	2422 549 44243	Degaussing coil 34"
8e*	3104 328 09162	Cabinet	4822 157 11825	Rotation coil
8f*	3104 328 13981	Cabinet V0	3104 300 50300	Picture tube W86LPX955X
8g*	3104 328 13991	Cabinet	3104 207 09580	Remote control RC203301B
9	3104 304 21380	Speaker box	3104 207 09601	Remote control RC203501
10	3104 304 20800	Light guide	3104 207 10321	Remote control TS1006
11ab*	4822 466 12141	Bottom plate	4622 009 50772	Mains cord
11cd*eg*	4822 304 21101	Bottom plate	4622 009 50782	Mains cord -/05
12	3104 304 19580	Frame for LSP	2422 070 98129	Mains cord -/17
13a*	4822 466 12209	Cover plate	3104 130 01180	Set surround sound boxes -/12
13b*	3104 307 94313	Cover plate	3104 130 01300	Set surround sound boxes -/01/19/58
13ce*	3104 307 95301	Cover plate	3104 130 01250	Set surround sound boxes -/05
13d*	3104 307 95871	Cover plate	2422 264 00346	Surround sound box
14ab*	3104 307 97831	Rear cover	3104 300 20201	Adapter F-pin - IEC
14c*	3104 307 95851	Rear cover V0	3104 301 23981	Demo pin
14d*	3104 307 95861	Rear cover V0	3105 017 00921	Cable IR shooter
14eg*	4822 464 10474	Frame for SSP	3104 307 97111	Cover mains harmonic for -/xxR
15	4822 464 10474	Frame for SSP	36PW9625	*a
16abcef*g*	3104 304 20990	Bracket side I/O	36PW9765	*b
16d*	3104 304 22041	Bracket side I/O	34PW9815	*c
17	3104 304 20260	LOT support bracket	34PH9915	*d
18	3104 304 19650	Frame for supply panel	34PW9846	*e
19	4822 464 10475	Bracket top control	34PW9817	*f
20ab*	3104 304 21630	Keypad	34PW9847	*g
20cdf*	3104 304 22561	Keypad		
20deg*	3104 304 22401	Keypad		
21abcef*g*	4822 445 10834	Subwoofer box		
21d*	3104 130 01601	Woofer box		

STYLING 244

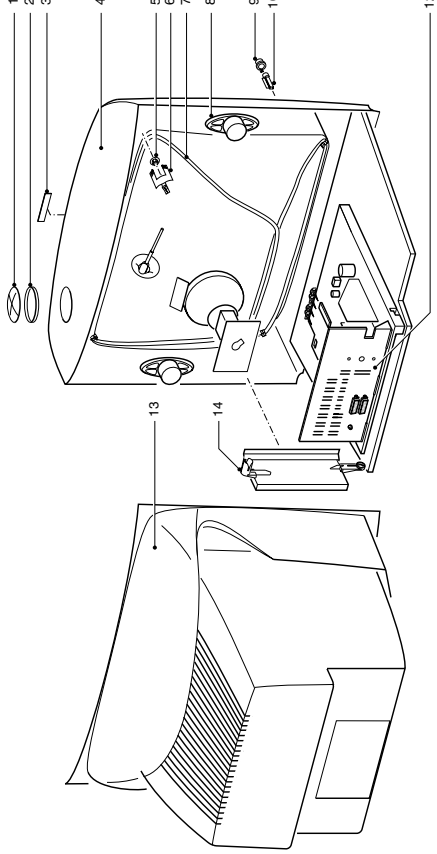
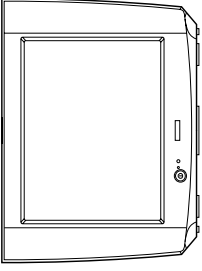
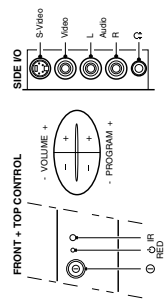


1a*	3111 257 56081	Rear cover	3111 257 56161	Rod antenna
1b*	3139 124 33311	Rear cover	3111 257 56231	Loudspeaker 8Ω 4W
2a*	3111 257 56231	Loudspeaker 8Ω 4W	2422 264 00329	Loudspeaker 8Ω 4W
2b*	2422 264 00329	Loudspeaker 8Ω 4W	3111 257 56161	Rod antenna
3	3111 257 56161	Rod antenna	3111 257 56031	Cabinet 14"
4a*	3139 137 73651	Cabinet 14"	3139 100 42091	CRT fixing screw
4a*	3139 100 42091	CRT fixing screw	4822 404 31325	Degaussing coil bracket
5	4822 404 31325	Degaussing coil bracket	3111 254 24131	Light guide
7a*	3139 124 27781	Light guide	2422 549 44446	Degaussing coil 14"
7b*	2422 549 44446	Degaussing coil 14"	3111 254 09801	Mains knob
8	3139 137 73521	Mains knob	3139 137 73521	Mains knob
9a*	3111 254 09801	Mains knob	3111 254 09791	Knob frame
9b*	3139 137 73521	Mains knob	3139 137 73531	Knob frame
10a*	3111 254 09791	Knob frame	11	Not applicable
10b*	3139 137 73531	Knob frame	12a*	4822 463 11125
11	Not applicable	Chassis guide (VO)	12b*	3111 254 24151
12a*	4822 463 11125	Chassis guide (VO)	13a*	3111 250 00471
12b*	3111 254 24151	Chassis guide		Wordmark Philips
13a*	3111 250 00471	Wordmark Philips	3111 250 00641	Wordmark Philips (blue silver)
13b*	3111 250 00641	Wordmark Philips (blue silver)	4822 401 11765	EHT spacer
14	4822 401 11765	EHT spacer	4822 404 31291	Mains cord bracket 310430414760
15	4822 404 31291	Mains cord bracket 310430414760	9301 861 90313	Picture tube 14" A34EAC01X113
a*	9301 861 90313	Picture tube 14" A34EAC01X113	9322 139 76682	Picture tube 14" A34AGT13X95E
b*	9322 139 76682	Picture tube 14" A34AGT13X95E	4822 321 11499	Mains cord EU
			4822 321 11493	Mains cord UK

*a 14PT1365/1565
*b 14PT2665

STYLING 244.006
200001

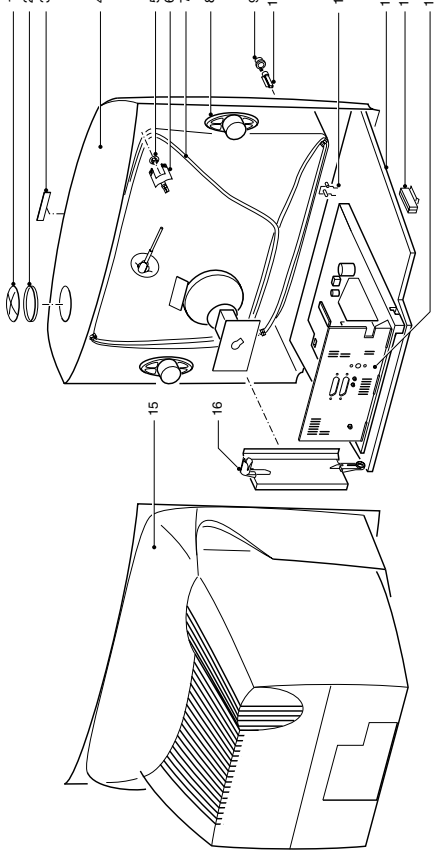
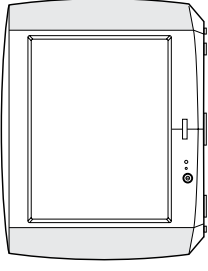
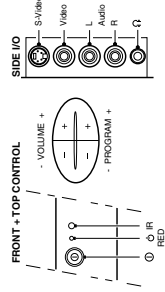
STYLING 249



STYLING 249
200801

1	3139 137 76471	Top control cover
2	3139 124 26992	Top control bracket
3	3111 250 00701	Wordmark
4abc*	3111 257 56191	Cabinet
5	4822 502 14071	CRT fixing screw
6	4822 404 30945	Degaussing coil bracket
7	4822 401 11765	Coil & EHT clamp
8	4822 157 11532	Degaussing coil 21"
9+10	2422 264 00294	Loudspeaker
	3139 137 75631	Mains knob silver
11	4822 403 70906	Corner coil bracket
12	3139 124 33511	Rear jack bracket
13	3139 124 33911	Rear cover
14	3139 124 32991	Side AV bracket
	4822 404 31291	Mains cord holder
	3139 124 33541	Chassis tray
	3139 124 26291	Light guide
	3122 996 47383	Spring
	4822 402 10844	PCB relief bracket
	4822 404 31291	Mains cord relief
	4822 131 11175	Picture tube 21" A51EAL155X01
	4822 321 11139	Mains cord
*a	21PT5305/00	
*b	21PT5305/01	
*c	21PT5305/58	

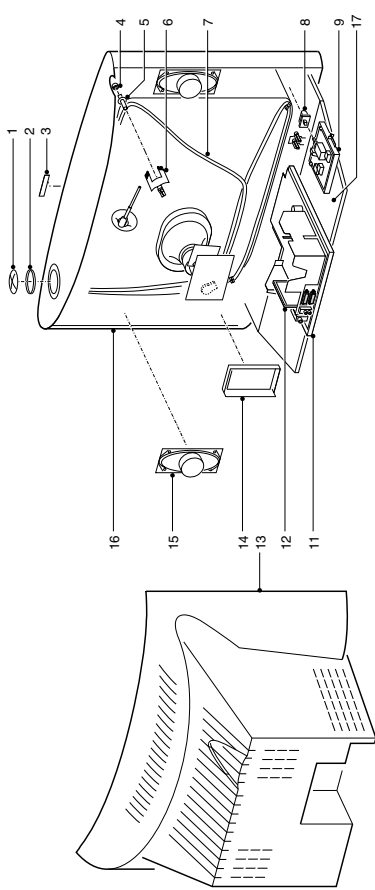
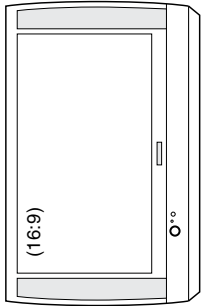
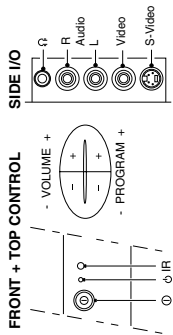
STYLING 250



STYLING 250
200801

1	4822 442 01679	Top control cover
2	3139 124 26992	Top control bracket
3a*	3111 250 00611	Wordmark Philips
3c*	4822 454 13462	Wordmark Aristona
3d*	3122 220 00623	Wordmark Sbr
3e*	3122 220 00232	Wordmark Radiola
4a*	3111 257 56141	Cabinet 25"
4cde*	3111 257 56201	Cabinet 25"
5	4822 502 14071	CRT fixing screw
6	4822 401 11765	Degaussing coil bracket
6	4822 403 70906	Corner coil bracket
7	2422 549 44253	Degaussing coil 25"
8	4822 240 10263	Loudspeaker 8Ω 5W
11a*	4822 380 10239	Light guide
12	3139 124 33541	Chassis tray
13	4822 404 31291	Mains cord relief
14	3139 124 33511	Rear jack bracket
15a*	3139 124 33921	Rear cover 25"
15cde*	3139 124 26732	Rear cover 25"
16	3139 124 33281	Side AV bracket
	9301 720 50383	Picture tube 25" A59EAK552X11
a*	3139 137 76331	Mains knob
cde*	4822 410 12281	Mains knob
	4822 321 11139	Mains cord
a*	4822 404 31291	Mains cord holder
*a	25PT5305/00, /01, /58	
*c	63TA5215/03	
*d	63TA5215/11	
*e	63TA5215/18	

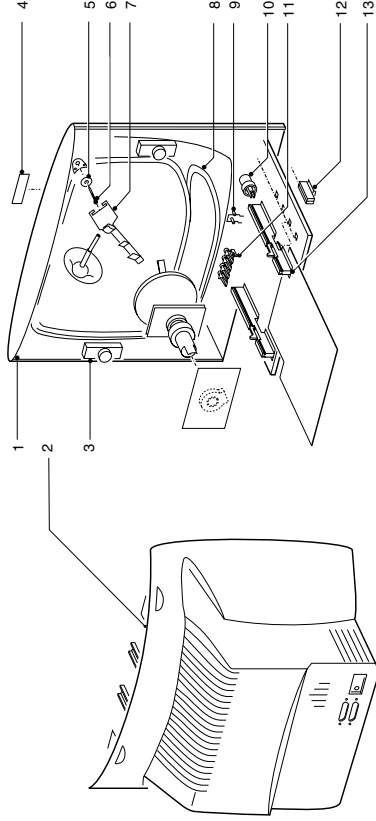
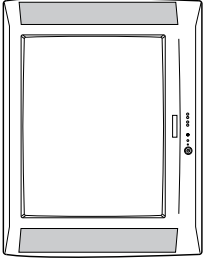
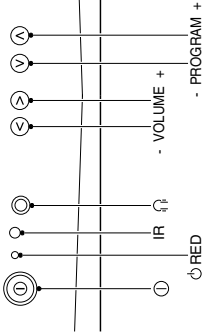
STYLING 252



STYLING 252-APP
252001

1/2abc*	3139 178 61961	Top control assy	13c*	3111 257 55702	Rear cover 24" WS
1/2def*	3139 178 86551	Top control assy	13df*	3139 124 34622	Rear cover 28" WS
3a*	3111 250 00621	Wordmark 32"	13e*	3139 124 34632	Rear cover 32" WS
3bcd*	3111 250 0201	Wordmark 28", 24"	14	3104 304 22191	Bracket for Side I/O panel
3e*	3104 300 11831	Wordmark 32"	15ae1*	2422 264 00381	Speaker 8Ω, 10W
3f*	3111 250 00271	Wordmark Arisoma (/03)	15bcd*	4822 240 10368	Speaker YDT0613-62BP
3f*	3111 250 00261	Wordmark Sbr (/11)	16ae*	3111 257 55692	Cabinet painted 32" WS
3f*	3111 250 00221	Wordmark Radiola (/18)	16e	3111 257 56352	Cabinet painted 32"
4	Not applicable	CRT screw 28", 32"	16bd*	3111 257 55681	Cabinet painted 28" WS
5abd1*	4822 502 14602	CRT screw 28", 32"	16d	3139 124 34622	Cabinet painted 28" WS
5c*	4822 502 14071	CRT screw 24"	16f*	3111 257 56241	Cabinet painted 28" WS (Nat. brand)
6a*	310430877010	Coil bracket	16c*	3111 257 55671	Cabinet painted 24" WS
6abef*	3104 304 14414	Corner coil bracket		4822 321 11139	Mains cord EU
6c*	3104 304 18634	Corner coil bracket		4822 321 11143	Mains cord UK
6d*	3139 124 34622	Corner coil bracket		9322 148 59682	Picture tube 32"
6abode1*	3111 254 23481	Coil & EHT clamp		9301 770 70307	Picture tube 28"
7ae*	2422 549 44564	Degaussing coil 32"		9301 760 20347	Picture tube 24"
7bd1*	2422 549 44248	Degaussing coil 28"		9301 760 20347	Picture tube 24"
7c*	2422 549 44563	Degaussing coil 24"		3139 124 28412	Bottom plate 28"
8ab*	3139 137 75631	Mains knob		3139 124 28422	Bottom plate 24"
8ode1*	3139 137 52412	Mains knob		32PW6005	
8c*	3139 137 75621	Mains knob		28PW6005	
9	Not applicable	Light guide 24"		28PW6005	
10c*	4822 380 10239	Light guide 24"		28PW5405	
10abde1*	4822 380 10238	Light guide 28", 32"		32PW5405	
11	3139 124 32541	Bracket for LSP		70WA6215	
12	3139 124 33361	Supporting bracket for SSB			
13a*	3139 124 31761	Rear cover 32" WS			
13b*	3139 124 31742	Rear cover 28" WS			

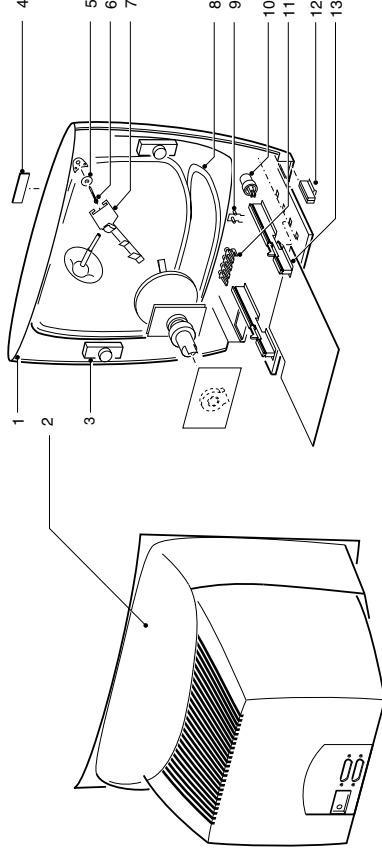
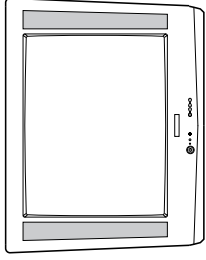
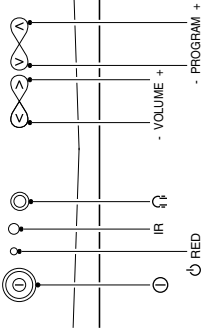
STYLING 256



STYLING 256-APP
103000

1	3111 254 09611	Cabinet 25"	11	3139 124 27071	Knob frame
1a*	3111 254 09631	Cabinet 25"	11	4822 410 12433	Control knob
1b*	3111 254 09631	Cabinet 25"	11h*	3139 124 27071	Control knob
1ef1*	4822 449 80338	Cabinet 28"	12	4822 404 31363	Mains cord relief 28"
1g*	3139 137 52881	Cabinet 28"	12	4822 404 31291	Mains cord relief 25"
1h*	3139 137 53381	Cabinet 28"	13	3139 124 30881	Chassis guide left (VO)
1n*	3139 137 53351	Cabinet 28"	13	3139 124 30871	Chassis guide right (HB)
2ab*	4822 426 10836	Back Cover 25"		4822 131 11184	CRT 25" A59EAK071X11*
2	3139 124 30781	Back Cover 25"		9301 710 90383	Picture tube
2eh1*	4822 426 10833	Rear cover 28"		9322 147 09682	Picture tube (/20/21/48)
2fgh*	3139 137 52891	Rear cover 28"		4822 131 11045	CRT 28" A66EAK071X11
3	4822 240 10263	Loudspeaker 8Ω, 5W		9322 147 08682	CRT 28" A66EAF50X05
4	3111 250 00201	Wordmark Philips 25"		4822 321 11499	Mains cord
4	4822 459 11155	Wordmark Philips 28"		4822 321 11493	Mains cord UK
5	4822 502 14071	CRT fixing screw 25"		4822 240 10263	Loudspeaker 8Ω, 5W
5	4822 505 11195	CRT fixing screw 28"		4822 404 31363	Mains cord holder
7	4822 401 11765	Degaussing coil bracket		3111 257 71291	Stand (only 25PT4475/05)
7	4822 240 10263	Corner coil bracket		25PT4275/00	
7	4822 403 70906	Corner coil bracket		25PT4475/01/21	
8	2422 549 44253	Degaussing coil 25"		25PT4455/00/20, 25PT4475/01/05/21/48/58	
8	4822 157 11762	Degaussing coil 28"		28PT4255/00	
9	4822 380 10251	Light guide		28PT4255/20, 28PT4475/21	
10	3139 124 30581	Mains knob		28PT4275/01, 28PT4455/00, 28PT4475/58	
10	3139 124 30581	Mains knob green		28PT4455/20	
10j*	4822 410 11766	Mains knob green		28PT4475/01, /05	

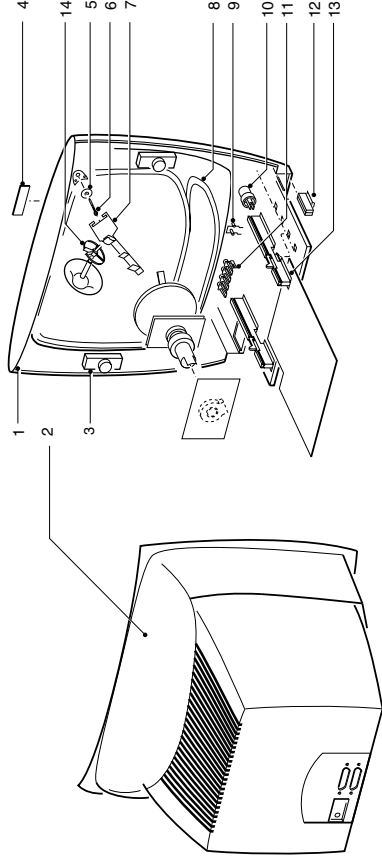
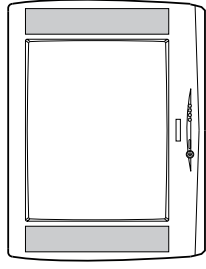
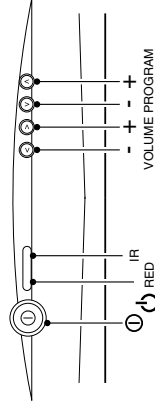
STYLING 257



Styling 257.eps
200601

1g*	3111 257 57201	Cabinet 28"	3111 257 54723	Mains knob	3139 124 34921	10d*	3139 124 30881	Chassis guide (VO)	3139 124 30881	13
1b*	3139 137 54251	Cabinet 25"	4822 410 11765	Control knob	4822 321 11493	13	4822 426 10831	Mains cord EU	4822 321 11493	
1c*	3111 257 56332	Cabinet 28"	4822 410 12432	Control knob	4822 321 11499		3139 124 34821	Mains cord UK	4822 321 11499	
1a*	4822 449 80336	Cabinet 25"	4822 404 31291	Mains cord relief	4822 403 70906		3139 124 34821	Corner coil bracket	4822 403 70906	
1cef*	4822 449 80341	Cabinet 28"	3139 124 30871	Chassis guide (HB)	3111 254 23481		3111 254 23481	EHT & degaussing coil clamp	3111 254 23481	
1	3111 257 57201	Cabinet 28"	3111 257 54723	Mains knob	3139 124 30881	ab*	4822 131 20568	Picture tube 25"	4822 131 20568	
2a*	4822 426 10831	Rear cover 25"	4822 426 10831	Control knob	4822 321 11493		A59EAK552X11	Mains cord UK (only /05)	4822 321 11493	
2b*	3139 137 54261	Rear cover 25"	3139 137 54261	Control knob	4822 321 11499	cd*	9301 711 10314	Mains cord EU	4822 321 11499	
2d*	3139 124 34821	Rear cover 28"	3139 124 34821	Mains cord relief	4822 403 70906		A66EAK071X11	Corner coil bracket	4822 403 70906	
2g*	3139 137 53061	Rear cover 28"	3139 137 53061	Chassis guide (HB)	3111 254 23481		A66EAK071X11	EHT & degaussing coil clamp	3111 254 23481	
2cef*	4822 426 10832	Rear cover 28"	4822 426 10832	Mains knob	3139 124 30881	ab*	4822 131 20568	Picture tube 25"	4822 131 20568	
2	3139 137 88991	Rear cover 28"	3139 137 88991	Control knob	4822 321 11493		A59EAK552X11	Picture tube 28"	4822 321 11493	
3	4822 240 10263	Loudspeaker 8Ω 5W	4822 240 10263	Control knob	4822 321 11499		A66EAK071X11	Mains cord UK	4822 321 11499	
3	4822 240 10368	Loudspeaker 16Ω 5W	4822 240 10368	Mains cord relief	4822 403 70906	e	9322 154 52682	Picture tube 28"	4822 403 70906	
4	3111 250 00201	Wordmark Philips	3111 250 00201	Chassis guide (HB)	3111 254 23481		A66ECF50X15	EHT & degaussing coil clamp	3111 254 23481	
4d*	4822 454 13442	Wordmark Philips (dark silver)	4822 454 13442	Mains knob	3139 124 30881	fg*	4822 131 20569	Picture tube 28"	4822 131 20569	
6	4822 502 14071	CRT fixing screw	4822 502 14071	Control knob	4822 321 11493		A66EAK552X11	Picture tube 28"	4822 321 11493	
7a*	4822 404 31434	Degaussing coil bracket	4822 404 31434	Control knob	4822 321 11499		A66EAK552X11	Mains cord UK	4822 321 11499	
7bcd*eg	4822 403 70906	Degaussing coil bracket	4822 403 70906	Mains cord relief	4822 403 70906		A66EAK552X11	Corner coil bracket	4822 403 70906	
7f*	4822 192 71627	Degaussing coil bracket	4822 192 71627	Chassis guide (HB)	3111 254 23481		A66EAK552X11	EHT & degaussing coil clamp	3111 254 23481	
8ab*	4822 157 11674	Degaussing coil 25"	4822 157 11674	Mains knob	3139 124 30881		A66EAK552X11	Picture tube 28"	4822 321 11493	
8cde*fg*	4822 157 11762	Degaussing coil 28"	4822 157 11762	Control knob	4822 321 11499		A66EAK552X11	Mains cord UK	4822 321 11499	
9	4822 380 10251	Light guide	4822 380 10251	Mains cord relief	4822 403 70906		A66EAK552X11	Corner coil bracket	4822 403 70906	
10	3139 124 30581	Mains knob	3139 124 30581	Chassis guide (HB)	3111 254 23481		A66EAK552X11	EHT & degaussing coil clamp	3111 254 23481	
10a*	4822 410 11766	Mains knob	4822 410 11766	Control knob	4822 321 11493		A66EAK552X11	Picture tube 28"	4822 321 11493	

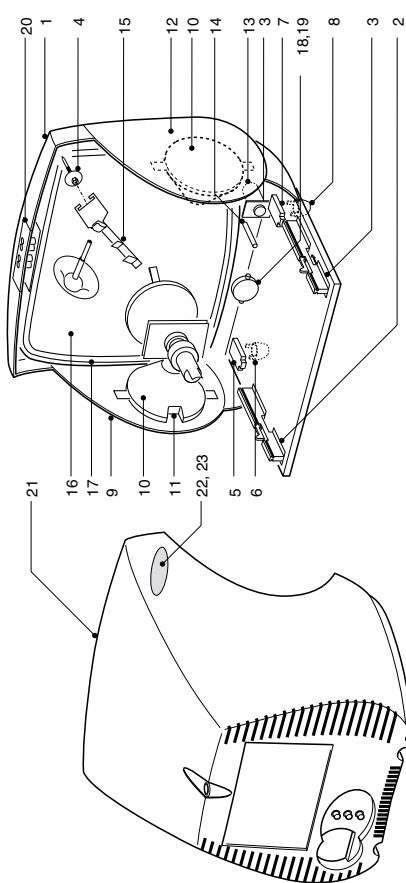
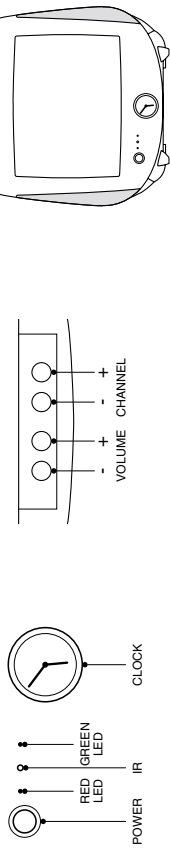
STYLING 258



Styling 258.eps
200601

1a*	4822 449 80342	Cabinet 25"	4822 449 80342	Mains knob	3139 124 30581	10ac*fg*	3139 124 30581	Mains knob	3139 124 30581	
1b*	3139 137 54251	Cabinet 25"	3139 137 54251	Control knob	4822 410 12432	11	4822 410 12432	Control knob	4822 410 12432	
1c*	3139 137 86511	Cabinet 25"	3139 137 86511	Control knob	4822 404 31363	12	4822 404 31363	Mains cord relief	4822 404 31363	
1e*	3111 257 56323	Cabinet 28"	3111 257 56323	Mains cord relief	3139 124 30871	13	3139 124 30871	Chassis guide (HB)	3139 124 30871	
1cdi**	3111 257 54723	Cabinet 28"	3111 257 54723	Chassis guide (HB)	3139 124 30881	13	3139 124 30881	Chassis guide (VO)	3139 124 30881	
2b*	3139 137 54261	Rear cover 25"	3139 137 54261	Control knob	4822 321 11493	14	4822 321 11765	EHT & degaussing coil clamp	4822 321 11765	
2a*	4822 426 10831	Rear cover 25"	4822 426 10831	Control knob	4822 321 11493		4822 131 20559	Picture tube 28"	4822 131 20559	
2g*	3139 137 87351	Rear cover 25"	3139 137 87351	Control knob	4822 321 11499		A66EAK552X11	Picture tube 28"	A66EAK552X11	
2e*	3139 124 34821	Rear cover 28"	3139 124 34821	Mains cord relief	4822 403 70906		A66EAK552X11	Picture tube 25"	A66EAK552X11	
2cdi**	4822 426 10832	Rear cover 28"	4822 426 10832	Chassis guide (HB)	3111 254 23481		A59EAK552X11	Mains cord UK	A59EAK552X11	
3	4822 240 10263	Loudspeaker 8Ω 5W	4822 240 10263	Mains knob	3139 124 30881		4822 321 11493	Mains cord UK	4822 321 11493	
4	3111 250 00201	Wordmark Philips	3111 250 00201	Control knob	4822 321 11493		4822 321 11499	Mains cord EU	4822 321 11499	
4e*	3111 250 00291	Wordmark Philips (dark silver)	3111 250 00291	Chassis guide (HB)	3111 254 23481					
5										
6	4822 505 11195	CRT fixing screw	4822 505 11195	Mains knob	3139 124 30881					
7	4822 403 70906	Corner coil bracket	4822 403 70906	Control knob	4822 321 11493					
8	4822 157 11674	Degaussing coil 25"	4822 157 11674	Mains cord relief	4822 403 70906					
8	4822 157 11762	Degaussing coil 28"	4822 157 11762	Control knob	4822 321 11499					
9	4822 380 10251	Light guide	4822 380 10251	Mains cord relief	4822 403 70906					
10bde*	3139 124 34921	Mains knob	3139 124 34921	Chassis guide (HB)	3111 254 23481					

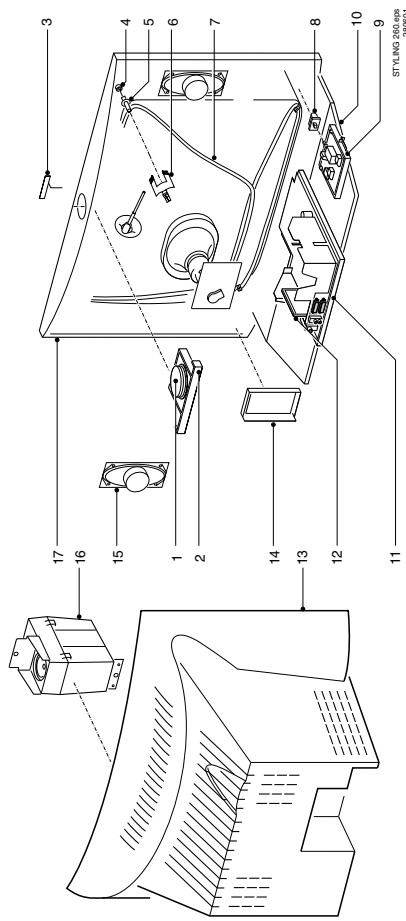
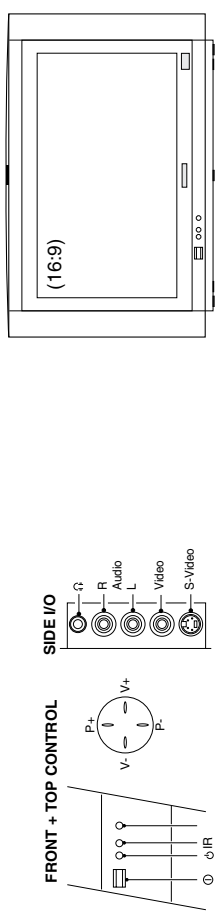
STYLING 259



STYLING 259
PARTS
259001

1	3111 257 55851	Cabinet	19	3139 124 31281	Clock bracket
2	4822 463 11166	Right chassis guide	20	3139 137 69451	Top control bracket
3	Not applicable	CRT fixing screw	21	3139 137 66571	Rear cover
4	4822 502 30739	Foot bracket left	22	3139 137 66551	Cover plate left
5	3139 124 30342	Foot bracket right	23	3139 137 66561	Cover plate right
6	3139 124 30291	Foot left		4822 466 11453	Mains cord holder
7	3139 124 30352	Foot bracket right		4822 321 11499	Mains cord
8	3139 124 30301	Foot right		4822 321 11493	Mains cord UK
9	3139 124 31491	Speaker cover plate left		4822 303 50063	Dipole FM antenna
10	3139 137 66531	Speaker grill left		3139 128 75851	Antenna UK
11	3139 137 66541	Speaker grill right			
12	3111 257 55861	Speaker assy			
13	3139 124 31501	Speaker cover plate right			
14	3139 137 66851	Mains knob			
	3139 124 31392	Light guide			
15	4822 401 11765	Coil EHT clamp			
16	4822 404 31325	Degaussing coil bracket			
17	4822 131 11367	Picture tube A34EAC01X024			
	2422 549 44446	Degaussing coil			
18	3139 128 75761	Clock			

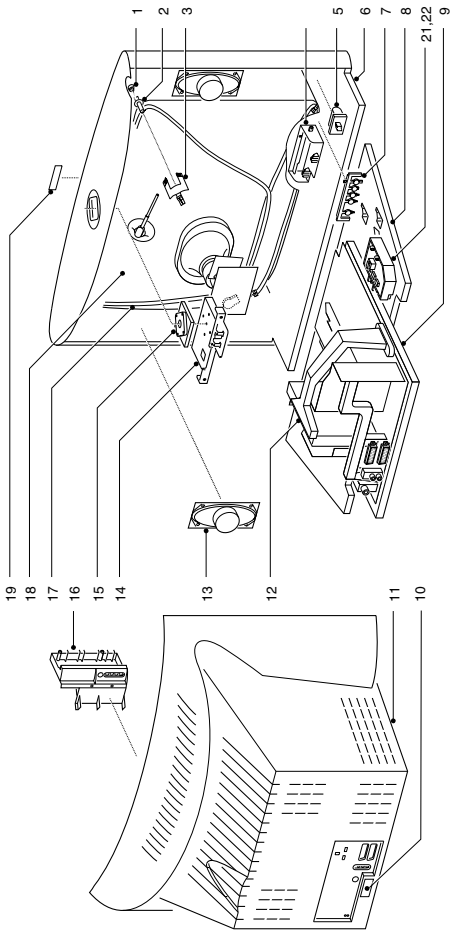
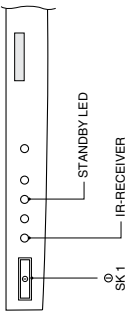
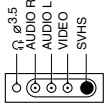
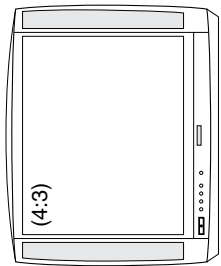
STYLING 260



STYLING 260
PARTS
260001

1/2	3139 178 82271	Top control assy	13b*	3111 257 56681	Rear cover 32"
3a*	3111 220 00182	Wordmark 28"	14	3139 124 31651	Bracket for Side I/O panel
3b*	3111 250 00581	Wordmark 32"	15	2422 264 00377	Loudspeaker
4	Not applicable	CRT screw 28"	16a*	3139 178 75931	Subwoofer
5a*	4822 505 11195	CRT screw 32"	16b*	3139 128 76372	Subwoofer
5b*	4822 502 14602	Bracket fix degaussing coil	17a*	3111 257 57121	Cabinet painted 28" WS
6	4822 403 40035	Corner coil bracket	17b*	3111 257 57131	Cabinet painted 32" WS
ab*	3104 304 14414	Coil bracket		3139 124 33811	Light guide
a*	3104 304 15291	Degaussing coil bracket		9301 805 90314	Picture tube 28"
b*	3104 304 14713	Coil clamp		9301 800 90314	W66ERF001X013
		EHT & degaussing coil clamp			Picture tube 32"
b*	3111 254 23481	Degaussing coil 28"	ab*		W76ERF001X013
7a*	2422 549 44621	Degaussing coil 32"	ab*	4822 321 11139	Mains cord EU
7b*	2422 549 44244	Mains knob	ab*	4822 321 11143	Mains cord UK
8	3139 137 72011	Bracket for Front control panel	ab*	4822 532 13136	VO insulator ring
9	3139 178 60431	Bracket for LSP	*a	28PW6515	
10	Not applicable	Supporting bracket for SSB	*b	32PW6515	
11	3139 124 32541	Rear cover 28"			
12	3139 124 33361				
13a*	3111 257 56671				

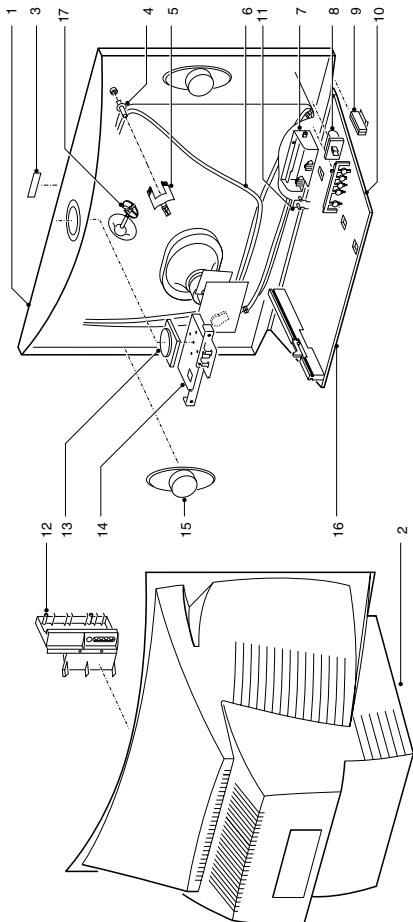
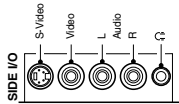
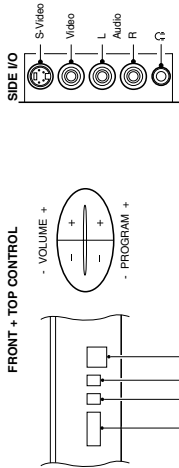
STYLING 261



STYLING 261 AL
081100

1	Not applicable	15cd*	3104 304 22121	Keypad
2	4822 505 11195	16abe*	4822 402 11175	Bracket Side I/O panel
3	4822 403 70906	16cd*	3104 304 22111	Bracket Side I/O panel
4	4822 402 11176	17	2422 549 44385	Degaussing coil
5abe*	4822 410 12069	18a*	9301 735 10306	CRT 25"
5cd*	3104 307 95961	18bcde*	9301 732 90303	CRT 28"
6a*	3104 328 01612	19abe*	4822 459 11127	Wordmark Philips
6b*	4822 449 80289	19c*	4822 250 00291	Wordmark Philips
6c*	3104 328 06052	19d*	4822 454 13462	Wordmark Aristona (/03)
6d*	3104 328 07142	19d*	3122 220 00623	Wordmark SBR (/11)
6e*	3111 257 56372	20	3104 304 22751	Bracket Mains harmonic (only for /xxR)
7a*	3104 304 19722	21	3104 304 22762	Cover Mains harmonic (only for /xxR)
7bcde*	3104 304 19812		3104 301 23951	SSB shielding (top)
8a*	3104 304 21264		3104 301 23962	SSB shielding (bottom)
8bcde*	3104 304 21274		4822 321 11499	Mains cord
			4822 402 11183	Mains cord holder
9	3104 304 21303		25PT7106	
10acd*	3104 304 21641		28PT7106	
10be*	3104 304 21772		28PT7306	
11a*	3104 328 06092			
11be*	3104 328 06112			
11cd*	3104 328 06101			
12	3104 304 21112			
13	4822 240 10331			
14	4822 464 10475			
15abe*	3104 304 21711			

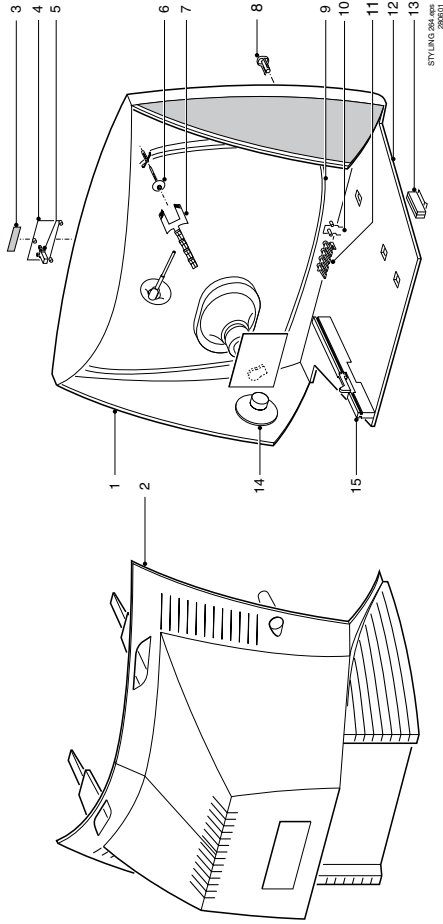
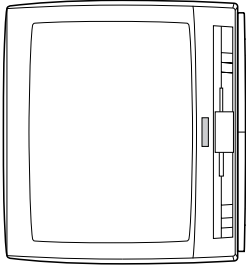
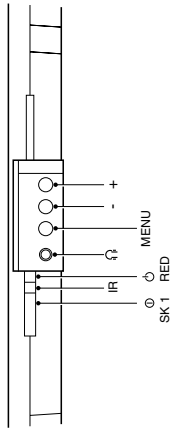
STYLING 263



STYLING 263 AL
200101

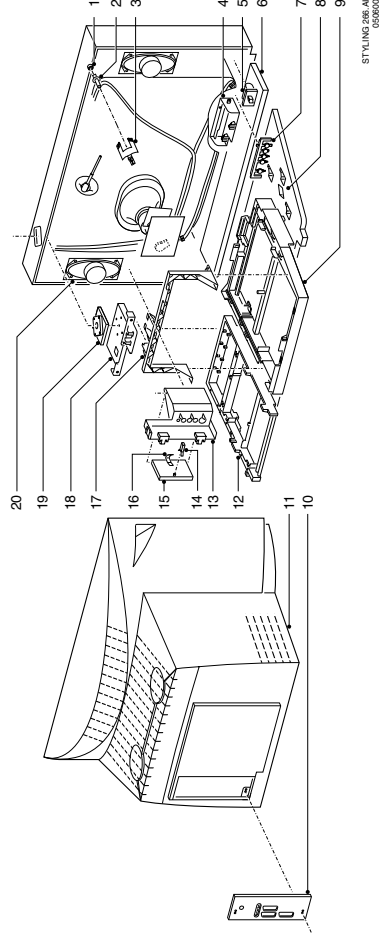
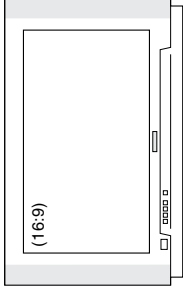
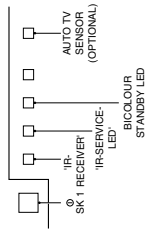
1	3111 257 56043	Cabinet
1a*	3139 137 99151	Cabinet
2	3139 124 32211	Rear cover
3	3111 250 00481	Wordmark
3a*	3111 250 00911	Wordmark (silver shadow)
4	4822 505 11195	CRT fixing screw
5	3139 124 33471	Degaussing coil 21"
6	4822 157 11532	Degaussing coil 21"
7	Not applicable	
8	3139 137 76521	Mains knob
8a*	3139 137 93691	Mains knob
9	4822 404 31291	Mains cord holder
10	3139 124 33341	VO plate
11	3139 124 32221	Light guide
12	3139 124 32241	Side AV bracket
13	3139 137 66921	Top control button
14	3139 124 30381	Top control bracket
15	2422 264 00394	Loudspeaker 5W
16	3139 124 30811	Chassis guide (VO)
17	3111 254 23481	EHT & degaussing coil clamp
	9322 153 82682	Picture tube 21"
	A51LSK95X01	Picture tube 21"
	A51ERF315X72	Mains cord EU
	4822 321 11493	Mains cord UK
	3111 257 71451	Stand 21" (UK only)
	21PT5405/01, 21PT5505/00S/01S/5S8	

STYLING 264



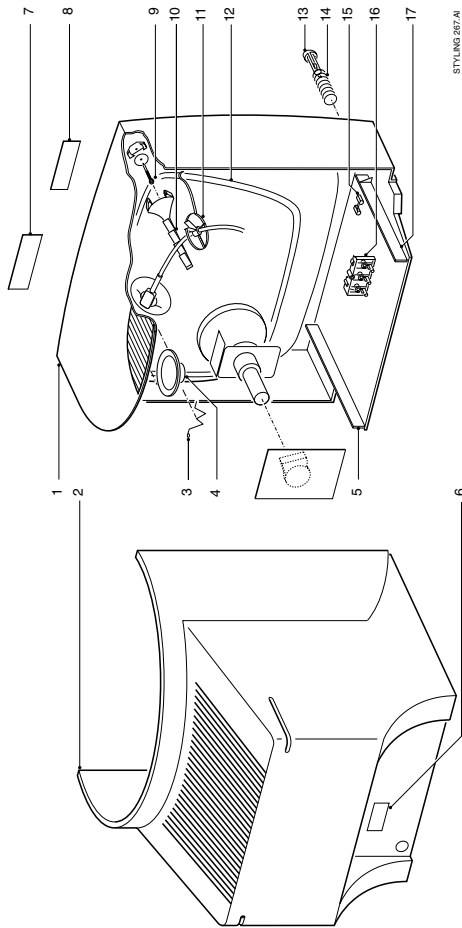
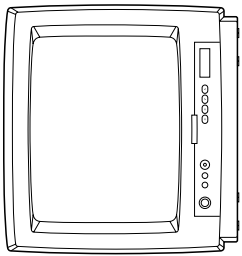
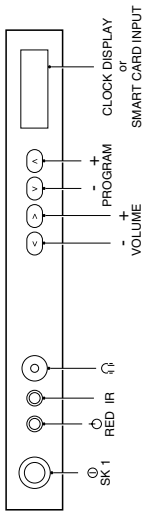
1a*	3139 137 73821	Cabinet	3111 250 00051	Wordmark	4822 321 11425	Mains cord	9301 842 70329	A51EFK135X47 (J58C)
1b*	3139 137 77041	Cabinet	3139 137 76441	Door	4822 321 11493	Mains cord UK	21PT2665	
2a*	3139 124 32291	Rear cover	3139 137 77061	Door	4822 131 11105	Picture Tube 21"	21PT2265	
2b*	3139 124 35311	Rear cover	3139 121 26911	Spring for door		A51EAL155X47		
3a*	3111 250 00641	Wordmark	4822 502 14508	Screw & washer		Picture Tube 21"		
3b*	3111 250 00051	Wordmark				A51EFK135X47 (J58C)		
4a*	3139 137 76441	Door						
4b*	3139 137 77061	Door						
5	3139 121 26911	Spring for door						
6	4822 502 14508	Screw & washer						
7	4822 404 30945	Degaussing coil bracket						
7	4822 401 11765	Coil & THT clamp						
8a*	3139 137 76451	Mains knob						
8b*	3139 137 77081	Mains knob						
9	4822 157 11532	Degaussing coil						
10	3139 124 32301	Light guide						
11a*	3139 137 77071	Control knob						
11b*	3139 137 76461	Control knob						
12	3139 124 33291	Plate VO						
13	4822 404 31291	Mains cord holder						
14	4822 240 10396	Speaker 16Ω 5W						
15	3139 124 30811	Chassis guide (VO)						

STYLING 266



1	3122 124 35682	Washer	4822 404 31341	Bracket fix degaussing coil 32" (2x)	3104 304 21922	DAF bracket
2	4822 505 11195	Picture tube screw 28"	3104 304 21852	Bracket mains unit	3104 300 12221	Philips emblem 28"
2	4822 502 21359	Picture tube screw 32"	3104 307 96231	Mains knob	3104 300 12211	Philips emblem 32"
3	4822 403 70906	Bracket fix degaussing coil 28"	3104 328 08061	Cabinet 28"	3104 300 12081	Matchline emblem for -J79R
3	4822 404 31289	Bracket fix degaussing coil 32" (2x)	3104 328 08081	Cabinet 32"	4822 321 11499	Mains cord
4	4822 404 31341	Bracket fix degaussing coil 32" (2x)	3104 304 21871	Light guide	2422 070 98132	Mains cord -J79R
4	3104 304 21852	Bracket mains unit	3104 304 21841	Bottom plate	4822 402 11183	Mains cord holder
5	3104 307 96231	Mains knob	3104 304 21882	Frame for LSP	4822 157 11825	Rotation coil
6	3104 328 08061	Cabinet 28"	3104 304 21901	Cover plate	8204 000 74141	Degaussing coil 28"
6	3104 328 08081	Cabinet 32"	3104 307 96261	Rear cover 28"	2422 549 44244	Degaussing coil 32"
7	3104 304 21871	Light guide	3104 307 96241	Rear cover 32"	9301 828 00306	Picture tube
8	3104 304 21841	Bottom plate	3104 304 21891	Frame for SSP	W66ERF031X044	Picture tube
9	3104 304 21882	Frame for LSP	3104 304 21931	Bracket side IO	W76ERF031X044	Picture tube
10	3104 304 21901	Cover plate	3104 308 70381	Locking unit	Remote control RC2592/01B	Remote control
11	3104 307 96261	Rear cover 28"	3104 307 96281	Door	Mains harmonic cover	Mains harmonic cover
11	3104 307 96241	Rear cover 32"			Mains harmonic bracket	Mains harmonic bracket
12	3104 304 21891	Frame for SSP			Adapter EURO to Cinch/S-VHS	Adapter EURO to Cinch/S-VHS
13	3104 304 21931	Bracket side IO			Adapter EURO to 3 x Cinch	Adapter EURO to 3 x Cinch
14	3104 308 70381	Locking unit				
15	3104 307 96281	Door				
16	3104 301 23971	Spring				
17	3104 304 20781	LOT support bracket				
18	4822 464 10475	Bracket for top control				
19	3104 304 22202	Keypad				
20	2422 264 00386	Loudspeaker				

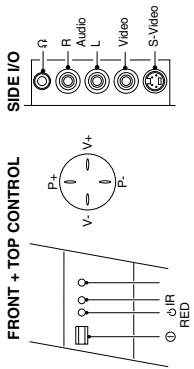
STYLING 267



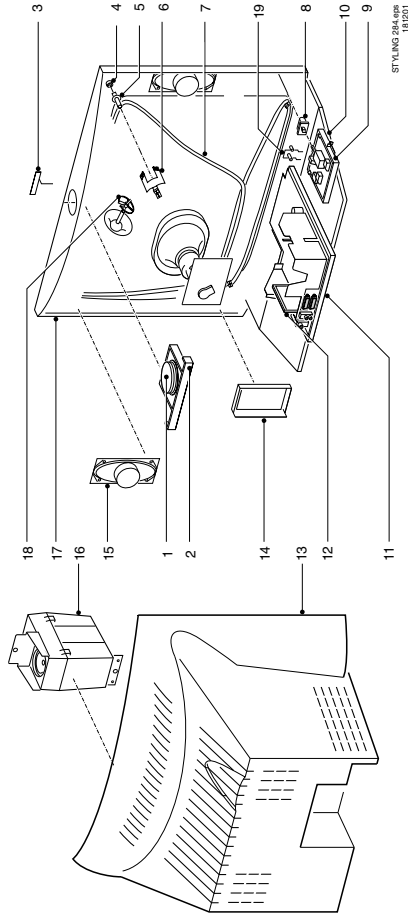
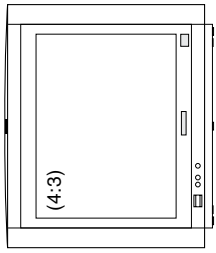
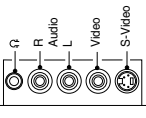
STYLING 267 A1
061100

1a*	3119 108 52101	Cabinet(+ items 3.5.6.8.7.13.15)	8h	3111 250 00471	Wordmark
1b*	3119 108 52091	Cabinet(+ items 3.5.6.8.7.13.15)	9	3119 100 42091	CRT fixing screw
1c*	3119 108 52071	Cabinet(+ items 3.5.6.8.7.13.15)	10	3139 124 21802	Coil clamp
1dh*	3119 108 52241	Cabinet(+ items 3.5.6.8.7.13.15)	11	3139 124 17541	Spacer
1e*	3119 108 52131	Cabinet(+ items 3.5.6.8.7.13.15)	12	3128 138 60521	Degaussing coil
1f*	3119 108 52341	Cabinet(+ items 3.5.6.8.7.13.15)	13abce*	4822 410 12512	Mains knob
1g*	3119 108 52351	Cabinet(+ items 3.5.6.8.7.13.15)	13dfgh*	3111 254 09911	Mains knob silver
2ab*	3119 108 52111	Rear cover	14	4822 492 32656	Mains knob spring
2c*	3119 108 52081	Rear cover	15	4822 380 10281	Lens
2dh*	3119 108 52251	Rear cover	16abce*	3139 124 26881	Knob frame
2e*	3119 108 52111	Rear cover	16dfgh*	3111 254 09921	Knob frame silver
2fg*	3119 108 52361	Rear cover	17	4822 463 11125	Chassis guide right
3	See item 1			4822 321 11489	Mains cord
4	2422 257 40013	Loudspeaker 8Ω 8W		4822 321 11493	Mains cord (-05/25)
5	3139 124 23452	Chassis guide left		9301 835 40301	Picture tube 17"
6c*	3139 137 69141	Cap on rear cover for system slot.			A41EAM40X20
7afg*	3119 104 27681	Display lens	*a	17HT3159/...	
7cdh*	3119 107 05071	Display lens	*b	17HT3253/...	
7e*	3119 107 05091	Display lens	*c	17HT5403/..R/..Z	
8	4822 459 11214	Wordmark	*d	17HT5403/..S	
			*e	17HT4203/..M	
			*f	17HT3159/..S	
			*g	17HT3253/..S	
			*h	17HT5423/..R	

STYLING 284



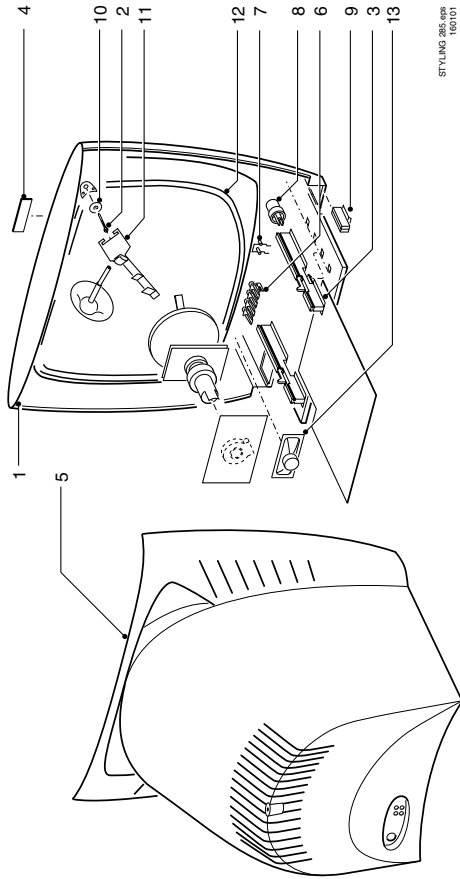
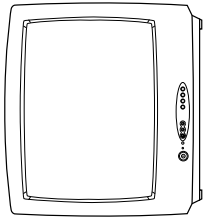
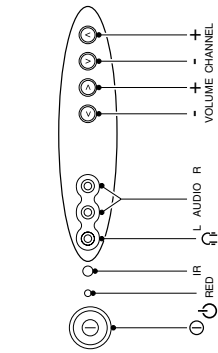
FRONT + TOP CONTROL



STYLING 284 A1
061201

1/2a*	3139 178 82271	Top control assy	17b*	3139 138 14921	Cabinet 29"
1b	3139 137 66921	Top control button	18ab*	3111 254 23481	Coil & EHT clamp
2b	3139 124 33941	Top control bracket	19ab*	3139 124 33811	Light guide
3a	3111 250 00571	Wordmark 29"	ab*	4822 321 11139	Mains cord
3b	3141 050 00161	Wordmark 29" Phillips	b*	4822 404 31291	Mains cord holder
4	Not applicable			4822 53213136	V/O insulator ring
5	4822 505 11195	CRT screw	a*	3111 259 00111	Picture tube 29"
6	3139 124 31121	Bracket fix degaussing coil	b*	9322 177 18682	A680CP891X604
7ab*	2422 549 44579	Degaussing coil			Picture tube 29"
8a*	3139 137 72011	Mains knob assy			A680CP891X628
8b*	3139 124 33801	Mains knob	*a	29PT5515	
9ab*	3139 124 32521	Bracket for Front control panel	*b	29PT5516	
10	Not applicable				
11ab*	3139 124 32542	Bracket for LSP			
12ab*	3139 124 33361	Supporting bracket for SSB			
13ab*	3111 257 56641	Rear cover 29"			
14ab*	3111 257 56641	Bracket for Side I/O panel			
15	2422 264 00379	Loudspeaker			
16	3139 128 76373	Subwoofer			
17a*	3111 257 57111	Cabinet 29"			

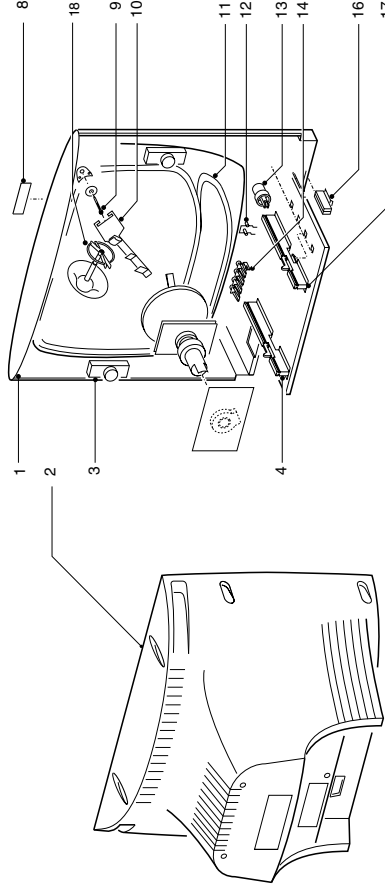
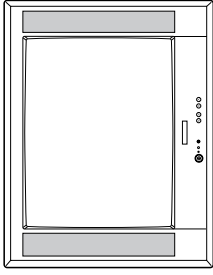
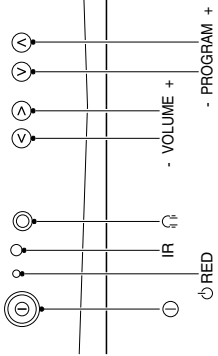
STYLING 285



STYLING 285 496
160101

1a*	3111 257 54841	Cabinet	Picture tube 20"
1b*	3139 137 61071	Cabinet	A48ECR43X58
1cdef*	3139 137 61191	Cabinet	Aerial telescopic
2	4822 502 14071	CRT fixation screw	Mains cord UK
3	4822 463 11125	Chassis guide (VO)	Mains cord EU
3	4822 463 11126	Chassis guide (HB)	20PT1354/58, 20PT1554/58
4	3111 250 00051	Wordmark	51TA1254/19
5b*	3139 137 56041	Rear cover	51TA1274/05
5ae*	3139 124 29831	Rear cover	51TA1474/03
5cdf*	3139 137 62321	Rear cover	51TA1474/05
6	4822 410 12149	Control knob	51TA1474/11, /16, /18
7	3139 124 26193	Light guide	
8	3139 124 26172	Mains knob	
9abcdff*	4822 466 11453	Mains cord relief	
11	3139 124 21802	Coil clamp	
11	3111 254 23481	Coil & THT clamp	
12	3119 104 18246	Bracket	
12	2422 549 44323	Degaussing coil 20"	
13	3111 257 23452	Loudspeaker	
	4822 131 11314	Picture tube 20"	
		A48ECR141X18	

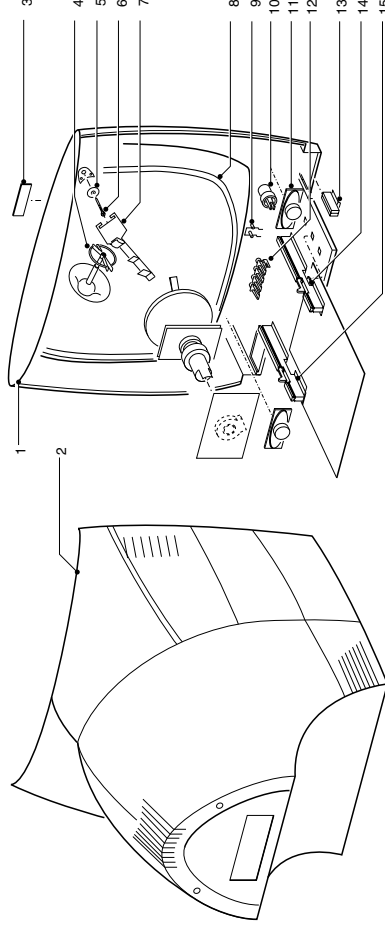
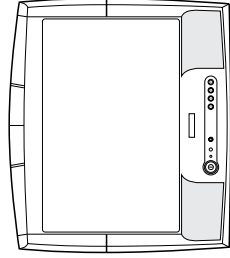
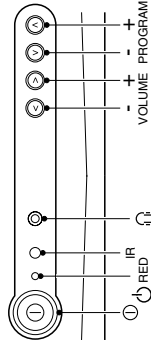
STYLING 287



STYLING 287 496
160101

1ab*	3111 257 54762	Cabinet	Picture tube A51EAL155X47
1c*	3111 257 54872	Cabinet	Picture tube A51EFK135X47 (/56C)
2	4822 426 10917	Rear cover	Picture tube A51EER33X72
2a*	3139 124 35211	Rear cover	(/20/21/25/48)
2bc*	3139 124 28351	Rear cover	Mains cord holder
3	4822 240 10368	Speaker	Mains cord
4	4822 463 11126	Chassis guide	Mains cord UK
8	3111 250 00051	Wordmark	
9	4822 502 14071	CRT fixing screw	*a 21PT1865/68/58C
10	4822 404 30945	Degaussing coil	*b 21PT4425/58, 21PT4655/00, 21PT4675/05
		bracket	*c 21PT4455/00/20, 21PT4475/01/05/21/25/48/68/58C
11	2422 549 44516	Degaussing coil	
12	4822 380 10281	Light guide	
13	4822 410 12512	Mains knob	
14ab*	4822 410 12513	Control knob	
14c*	3139 124 26941	Control knob	
16	4822 404 31291	Mains cord holder	
17	4822 463 11125	Chassis guide (VO)	
18	4822 401 11765	Coil EHT clamp	

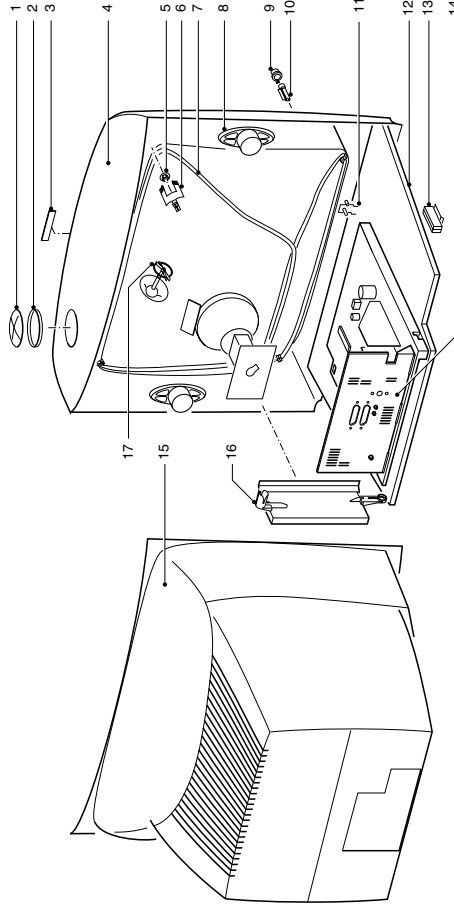
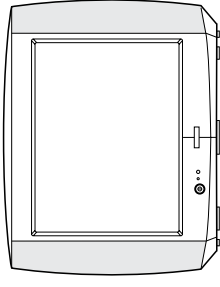
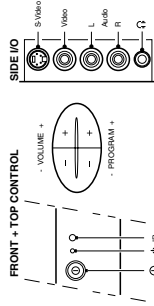
STYLING 288



STYLING 288/095
16/01/01

1abc*	3111 257 54951	Cabinet (HP+2AV)	Picture tube 21"	4822 131 11105	acdehj
1defgh*	3111 257 56291	Cabinet (HP+2AV)	A51EAL155X47		
2abc*	3139 124 29801	Rear cover	Picture tube 21"	9322 165 89682	bfg*
2defgh*	3139 124 29851	Rear cover	A51EER3X72		
3abc*	3111 250 00051	Wordmark	Picture tube 21"	9301 842 70329	km*
			A51EFK135X47		
3df*	3111 250 00321	Wordmark ARISTONA	Mains cord UK	4822 321 11493	
		(/03/23)	Mains cord EU	4822 321 11499	
3ef*	3111 250 00091	Wordmark (/16/18/36)			
3e*	3111 250 00341	Wordmark SBR (/11/31)			
4bcef*	3111 254 23481	EHT spacer			
6	4822 502 14071	CRT fixing screw		21PT1354/00, /01, 21PT1654/00, /01, /05	*a
				21PT1354/48, 21PT1654/48	*b
7	4822 404 31434	Degaussing coil bracket		21PT1354/58, 21PT1654/58	*c
7adh*	4822 404 30945	Degaussing coil bracket		52TA1474/03, /16	*d
8	2422 549 44516	Degaussing coil 21"		52TA1474/11, /18	*e
9	3139 124 28081	Light guide		52TA1474/23, /36	*f
10	3139 124 28071	Mains knob		52TA1474/31	*g
				52TA1464/18	*h
				52TB1454/19	*j
				21PT1354/58C	*k
				21PT1654/58C	*m
11	3111 257 55341	Loudspeaker 16Ω 5W			
12	3139 124 28071	Control knob			
13	4822 466 11453	Mains cord relief			
14	4822 463 11126	Chassis guide (HB)			
15	4822 463 11125	Chassis guide (VO)			

STYLING 290

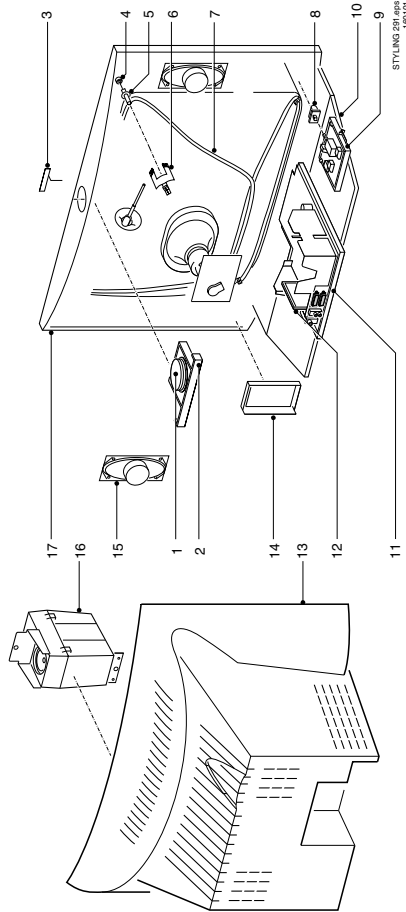
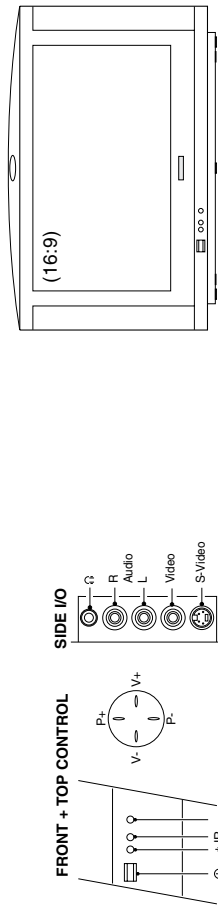


STYLING 290/095
16/01/01

1	3139 137 76471	Top control cover	Chassis tray	3139 124 33541	12
2	3139 124 33761	Top control bracket	Mains cord relief	3139 124 26301	13
3	3122 220 00501	Wordmark Aristona	Rear jack bracket	3139 124 33511	14
3	3123 220 00232	Wordmark Radiola	Rear cover NB	3139 137 76861	15*
3	3122 220 00623	Wordmark Sbr	Rear cover Philips	3139 137 75801	15
3	3111 250 00611	Wordmark Philips	Side I/O bracket	3139 124 33221	16
4b*	3111 257 56152	Cabinet	EHT spacer	4822 532 61201	17
4	3111 257 56212	Cabinet	Mains harmonic bracket	3139 124 35291	
5	4822 502 14071	CRT fixing screw	Picture tube 29"	4822 131 11298	
6	4822 492 71627	Degaussing coil bracket	Mains cord	4822 321 11139	
7	4822 157 11551	Degaussing coil 29"	Mains cord holder	4822 402 11183	
8	2422 264 00254	Loudspeaker 8Ω 6W			
9b*	3139 137 52412	Mains knob			
9	3139 137 75631	Mains knob			
11	3139 124 26291	Light guide			

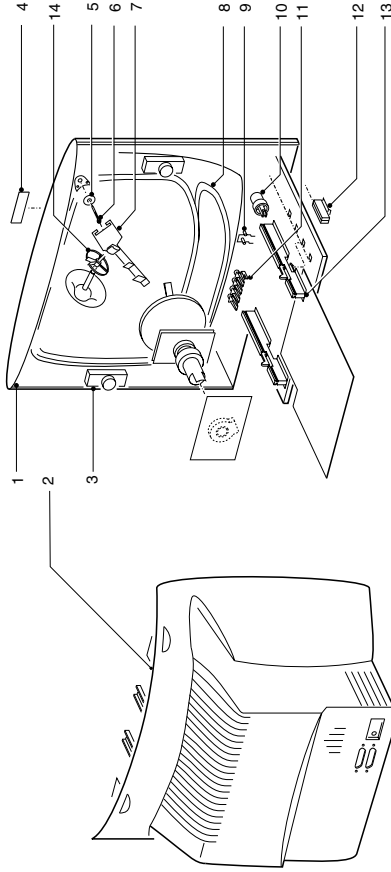
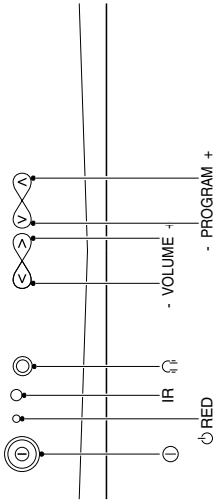
*a 29PT5105/00
*b 29PT5305/00/01/58
*c 72TA5215/03/11/16

STYLING 291



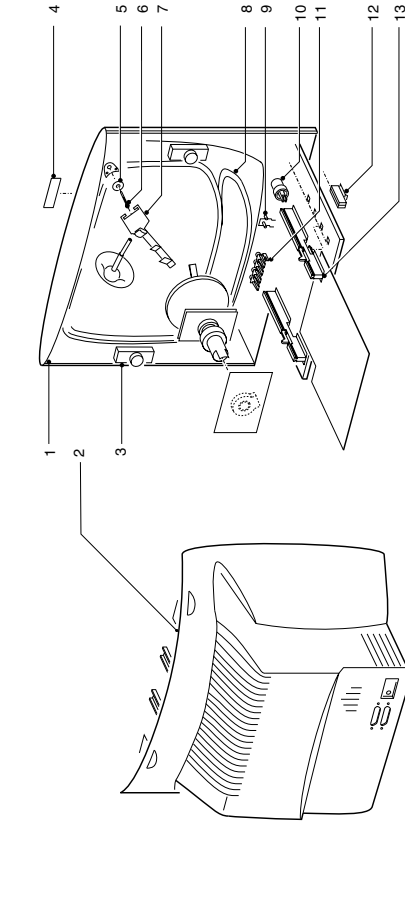
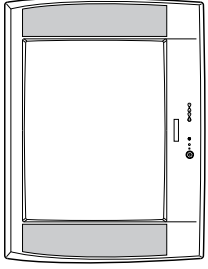
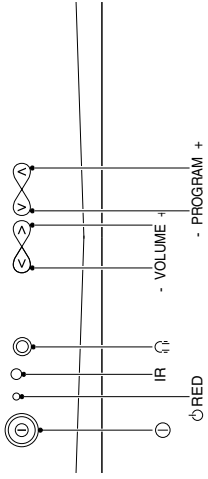
1	3139 124 31131	Top control cover	17b*	3111 257 57151	Cabinet 32"
2	3139 124 33941	Top control bracket	17d*	3111 257 57192	Cabinet 32"
3ac*	3111 250 00591	Wordmark		3139 124 35291	Mains harmonic bracket
3b*	3111 250 00601	Wordmark		3139 124 31631	Light guide
3d*	3104 300 11831	Wordmark		4822 404 31291	Mains cord relief
4	Not applicable		a*	9322 148 60682	Picture tube 28"
5	4822 502 14602	CRT fixing screw		W66EG V023X315	W66EG V023X315
6	4822 403 70906	Degaussing coil bracket	b*	4822 131 11215	Picture tube 32"
7	4822 157 11758	Degaussing coil 28"	c*	4822 131 11345	W76ESF031X14
7b*	2422 549 44564	Degaussing coil 32"		4822 131 11345	Picture tube 28"
8	3139 124 32511	Mains knob	d*	9322 148 59682	W66ECK001X14
9	3139 124 32521	Front interface bracket		W76EG V023X315	Picture tube 32"
10	Not applicable			4822 321 11139	Mains cord
11	3139 124 32542	Chassis tray	a*	28PW6305	
12	3139 124 33361	SSB bracket	b*	32PW6305	
13a*	3139 137 69971	Rear cover 28"	c*	28PW5406	
13c*	3139 137 90761	Rear cover 28"	d*	32PW5406	
13b*	3139 137 70071	Rear cover 32"			
13d*	3139 137 90731	Rear cover 32"			
14abc*	3139 124 31651	Side I/O bracket			
14d*	3139 124 33131	Side I/O bracket blue silver			
15	2422 264 00377	Loudspeaker 8Ω 10W			
16	Not applicable				
17a*	3111 257 57141	Cabinet 28"			
17c*	3111 257 56823	Cabinet 28"			

STYLING 292



1	3111 254 09601	Cabinet 25"	14	4822 401 11765	Degaussing coil bracket
1b*	3139 137 55211	Cabinet 25"		4822 403 70906	Corner coil bracket
1m*	3139 137 55231	Cabinet 25"		4822 131 11184	Picture tube 25"
2a*	3139 124 30761	Rear cover 25"	dk*	A59EAK071X11	Picture tube 25"
2*	4822 426 10836	Rear cover 25"		9322 147 09682	Picture tube 25"
3	2422 549 44253	Loudspeaker 8Ω 6W		4822 321 11499	A59EMZ43X07
4	3111 250 00201	Wordmark Philips		4822 321 11493	Mains cord EU
4g*	3111 250 00271	Wordmark Aristona		4822 402 10844	Mains cord UK
4b*	3111 250 00261	Wordmark Sbr			PCB relief bracket
4m*	4822 454 13463	Wordmark Schneider			
5-6*	3111 250 00221	Wordmark Radiola	a	25PT4104/58	
5+6	4822 502 14071	CRT fixing screw	b	25PT4375/01	
7	3104 304 14414	Corner coil bracket	c	25PT4655/00	
8	2422 549 44253	Degaussing coil 25"	d	25PT4655/20	
9	4822 380 10251	Light guide	e	25PT4675/01	
10	3139 124 30581	Mains knob	f	25PT4675/05	
11	3139 124 27061	Mains cord relief	g	63TA4415/03	
12	4822 404 31363	Chassis guide right (HB)	h	63TA4415/11	
13	3139 124 30871	Chassis guide left (VO)	i	63TA4415/18	
13	3139 124 30881	Chassis guide left (VO)	j	63TA4415/38	
			k	63TB4395/19	
			m		

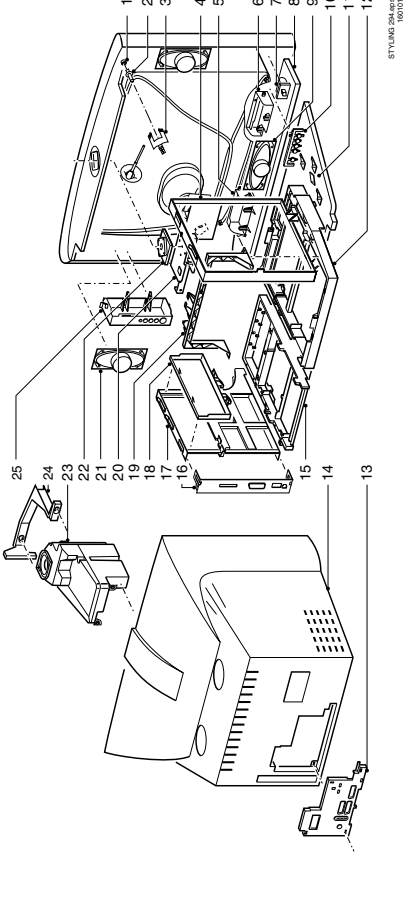
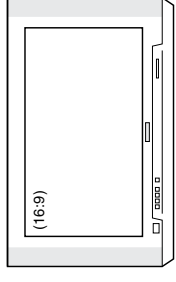
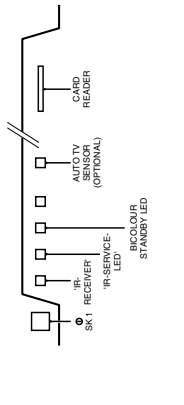
STYLING 293



STYLING 293/99
160011

1	3139 137 53351	Cabinet 28"	4822 404 31363	Mains cord relief
1a*	311125754803	Cabinet 28"	3139 124 30871	Chassis guide right (HB)
1h*	3139 137 55391	Cabinet 28" ARIS	3139 124 30881	Chassis guide left (VO)
1j*	3139 137 55411	Cabinet 28"	4822 403 70906	Corner coil bracket
1k*	3139 137 55431	Cabinet 28" RADIOLA	9301 711 10314	Picture tube 28" A66EAK071X11
1bcd*	3111 257 54803	Cabinet 28"	9322 154 52682	Picture tube 28"
1m*	3139 137 55381	Cabinet 28" SCR		A66ECF50X15
2	3139 124 27032	Rear cover 28"	4822 321 11489	Mains cord EU
2abc*	3139 124 30771	Rear cover 28"	4822 321 11493	Mains cord UK
2ef*	3139 137 52891	Rear cover 28"	4822 402 10844	PCB relief bracket
2m*	3139 137 55341	Rear cover 28" NB	28PT4104/58	
3	4822 240 10263	Loudspeaker 80.6W	28PT4404/20	
3a*	4822 240 10368	Loudspeaker 160.5W	28PT4404/20	
4	4822 459 11155	Wordmark Philips	28PT4655/00	
4h*	4822 454 13462	Wordmark Aristona	28PT4655/20	
4f*	4822 454 13466	Wordmark SBR	28PT4675/01	
4k*	4822 454 13464	Wordmark Radiola	28PT4675/03	
4m*	4822 454 13463	Wordmark Schneider	70TA4415/05	
5+6	4822 505 11195	CRT fixing screw	70TA4415/11	
7	4822 401 11765	Degaussing coil bracket	70TA4415/18	
8	4822 157 11762	Degaussing coil 28"	70TB4395/19	
9	4822 380 10251	Light guide		
10	3139 124 30581	Mains knob		
11	3139 124 27071	Control knob		
11a*	4822 410 12433	Control knob		

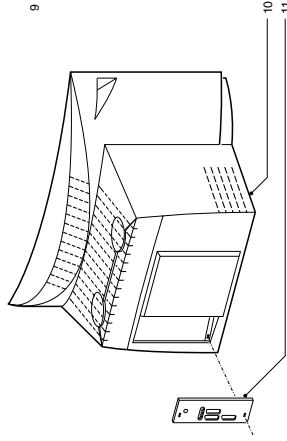
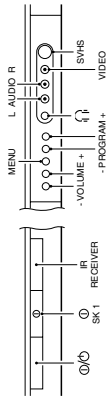
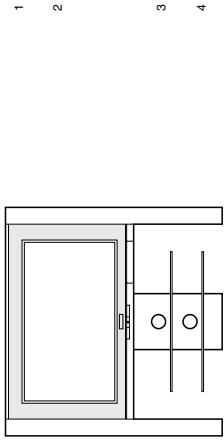
STYLING 294



STYLING 294/99
160011

1	4822 404 31294	CRT fixation VP19100 32"	4822 404 31294	CRT fixation VP19100 32"
2	4822 505 11195	CRT screw 28"	4822 505 11195	CRT screw 28"
2	4822 502 21359	CRT screw 32"	4822 502 21359	CRT screw 32"
3	4822 404 31289	Bracket fix degaussing coil (2x) 32"	4822 404 31289	Bracket fix degaussing coil (2x) 32"
4	4822 403 70906	Bracket fix degaussing coil (2x)	4822 403 70906	Bracket fix degaussing coil (2x)
4	3104 304 19651	Frame for Top Supply	3104 304 19651	Frame for Top Supply
5	3104 304 21240	Bracket for card reader	3104 304 21240	Bracket for card reader
6	4822 402 11176	Bracket for mains unit	4822 402 11176	Bracket for mains unit
7	3104 307 96211	Mains knob	3104 307 96211	Mains knob
8	3104 328 11662	Cabinet 28"	3104 328 11662	Cabinet 28"
8	3104 328 07982	Cabinet 32"	3104 328 07982	Cabinet 32"
9	2422 257 20547	Loudspeaker 8Ω 15W	2422 257 20547	Loudspeaker 8Ω 15W
10	3104 304 20801	Light guide	3104 304 20801	Light guide
11	3104 304 19764	Bottom plate	3104 304 19764	Bottom plate
12	3104 304 19583	Frame for LSP	3104 304 19583	Frame for LSP
13	3104 307 96131	Connector plate 32"	3104 307 96131	Connector plate 32"
14	3104 307 97361	Rear cover 28"	3104 307 97361	Rear cover 28"
14	3104 307 96152	Rear cover 32"	3104 307 96152	Rear cover 32"
15	3104 304 22851	Frame for SSP	3104 304 22851	Frame for SSP
16	3104 307 96820	Cover plate digital module	3104 307 96820	Cover plate digital module
17	3104 304 21200	Frame for digital module	3104 304 21200	Frame for digital module
18	3104 304 21190	Bracket for power supply	3104 304 21190	Bracket for power supply
19	3104 304 20263	LOT support bracket	3104 304 20263	LOT support bracket
20	4822 464 10475	Bracket for top control	4822 464 10475	Bracket for top control
21	3104 130 01231	Woofer + Tweeter 8Ω 15W	3104 130 01231	Woofer + Tweeter 8Ω 15W
22	3104 304 21631	Keypad	3104 304 21631	Keypad
23	3104 130 01601	Subwoofer	3104 130 01601	Subwoofer
24	3104 304 21361	Bracket fix subwoofer	3104 304 21361	Bracket fix subwoofer
25	3104 304 20991	Side I/O bracket	3104 304 20991	Side I/O bracket
	4822 459 11033	Matchline emblem 28"	4822 459 11033	Matchline emblem 28"
	3104 300 12081	Matchline emblem 32"	3104 300 12081	Matchline emblem 32"
	4822 454 13455	Philips emblem 28"	4822 454 13455	Philips emblem 28"
	4822 454 13399	Philips emblem 32"	4822 454 13399	Philips emblem 32"
	9301 828 00306	Picture tube W66ERF031X044	9301 828 00306	Picture tube W66ERF031X044
	9301 828 70301	Picture tube W76ERF031X044	9301 828 70301	Picture tube W76ERF031X044
	3128 147 12041	Remote control RC2038/01B	3128 147 12041	Remote control RC2038/01B
	4822 157 11825	Rotation coil	4822 157 11825	Rotation coil
	2422 549 44621	Degaussing coil 28"	2422 549 44621	Degaussing coil 28"
	2422 549 44244	Degaussing coil 32"	2422 549 44244	Degaussing coil 32"
	4822 240 10381	Surround sound loudspeaker box (1x)	4822 240 10381	Surround sound loudspeaker box (1x)
	3104 328 11851	Mains cord	3104 328 11851	Mains cord

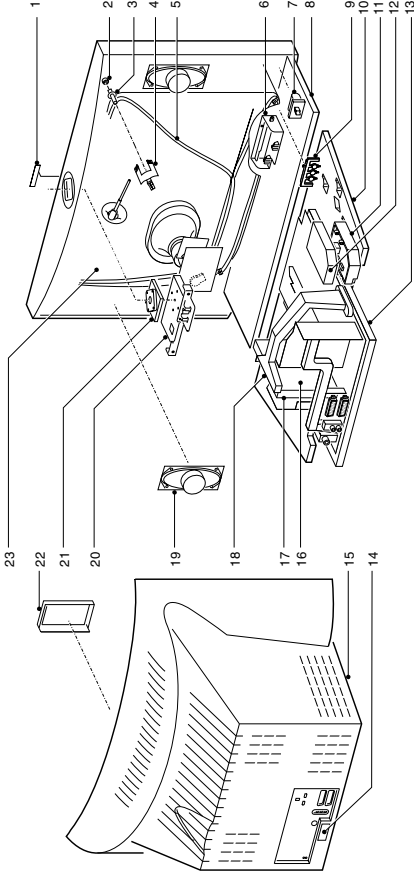
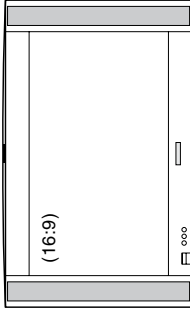
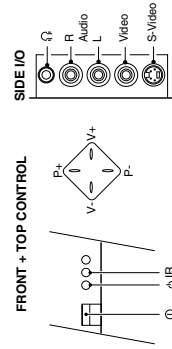
STYLING 295



STYLING 295 SEP 1981 (01)

1	3104 307 96921	Door	28	3104 307 96941	Aluminum column left
2	3104 304 22621	Bracket front controls	29	2422 264 00386	Loudspeaker
3	3104 307 97791	Cover aluminum column right	30	3104 304 21842	Bottom plate
4	3104 328 09831	Cabinet assy 32PW9556	31	9965 000 07349	Top plate stand
4	3104 328 09841	Cabinet assy 32PW9576	32	3104 308 78041	Screw for stand assy
5	9301 827 70301	Picture tube W76EP031X044	33	9965 000 07348	Steel clip
6	3104 307 96931	Aluminum column right	35	9965 000 07391	Back column part 1 shelf
7	3104 304 20781	LOT support bracket	35	9965 000 07392	Back column part 2 shelf
8	3104 304 21891	Frame for SSP	36	3104 304 22691	Foot right
9	3104 304 21882	Frame for LSP	36	3104 304 22701	Foot left
10	3104 307 96871	Rear cover 32PW9556	37	9965 000 07390	Back column part 1 shelf
10	3104 307 96881	Rear cover 32PW9566	37	9965 000 07393	Back column part 2 shelf
10	3104 307 97951	Rear cover 32PW9576	38	9965 000 07389	Glass plate
11	3104 304 22641	Connector plate 32PW9556	39	9965 000 07394	Back column part 2 shelf
11	3104 304 22651	Connector plate 32PW9566	39	3104 308 78021	Rear leg stand assy
11	3104 304 21902	Connector plate 32PW9576	6	3104 308 78031	Rear leg stand assy for -/05/19
12	3104 308 70381	Locking unit	4622 009 50772	Mains cord	
13	3104 308 78011	Damped hinge	4622 009 50782	Mains cord for -/05/57	
14	3104 304 22661	Knob frame controls	3104 328 14471	Mains cord for -/79	
15	3104 304 22671	Window right	3104 300 12171	Wordmark 32PW9556	
16	3104 307 96911	Mains knob	3104 300 12181	Wordmark 32PW9566	
17	3104 304 22681	Window left	3104 308 77981	Focus cable	
18	3104 304 22601	Support for mains switch	4822 157 11825	Rotation coil	
19	Not applicable		3104 207 09561	Remote control	
20	3104 304 90371	Glass plate 32PW9556	3104 300 12121	RC2031/01B	
20	3104 304 90381	Glass plate 32PW9566	3104 300 12171	Matchline emblem	
20	3104 304 90391	Glass plate 32PW9576	3104 300 12181	Philips emblem 32PW9556	
21	3104 307 97801	Cover aluminum column left	3104 300 12211	Philips emblem 32PW9566	
22	3104 301 62111	Pin fix aluminum columns	3104 300 12211	Philips emblem 32PW9576	
23	4822 502 21359	CRT screw	3104 300 20181	Adapter EURO to Cinch/S-VHS for -/57/69/79	
24	4822 404 31294	CRT fixation VP19100	3104 300 20191	Adapter EURO to 3 x Cinch for -/57/69/79	
25	4822 404 31289	Bracket fix degaussing coil (2x)			
25	4822 403 70906	Bracket fix degaussing coil (2x)			
26	4822 320 11108	EHT cable			
27	2422 549 44244	Degaussing coil			

STYLING 296

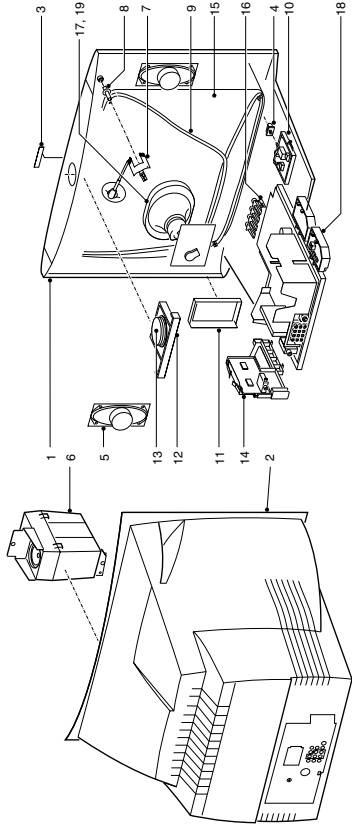
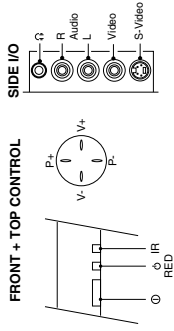
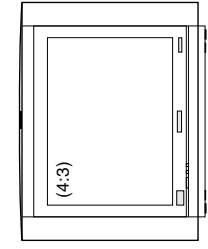


STYLING 296 SEP 1981 (01)

15a*	3104 304 22241	Rear cover 28PW8206	15a*	3104 304 22241	Rear cover 28PW8206
15b*	4822 454 13455	Wordmark 28PW8506	15b*	3104 304 21982	Rear cover 28PW8506
15c*	3104 300 12191	Wordmark 32PW8206	15c*	3104 304 22251	Rear cover 32PW8206
15d*	4822 454 13444	Wordmark 32PW8406	15dhl*	3104 304 22781	Rear cover 32PW8406 / 82WA8416
15e*	3104 307 11991	Wordmark 32PW8506	15e*	3104 304 21972	Rear cover 32PW8506
15f*	4822 454 13462	Wordmark 70WA8416/03	15f*	3104 304 24061	Rear cover 70WA8416
15g*	3122 220 00623	Wordmark 70WA8416/11	16	3104 301 23962	Shielding SSB (bottom)
16*	3104 300 00281	Wordmark 82WA8416/03	17	3104 301 23951	Shielding SSB (top)
17*	3104 300 11792	Wordmark 82WA8416/11	18	3104 304 21114	Bracket for LOT/SSB
20ab*	Not applicable	CRT insert 28"	19	2422 264 00386	Loudspeaker
20ac*	4822 502 11195	CRT insert 32"	20a*	4822 466 93184	Bracket Top Control
20b*	4822 505 21359	CRT screw 28"	20a*	4822 466 93184	Bracket Top Control
20c*	4822 505 21359	CRT screw 32"	21abce*	3104 304 20921	Keypad Top Control
4	4822 403 70906	Bracket fix degaussing coil	21d*	3104 304 22121	Bracket Top Control
5ab*	4822 157 11758	Degaussing coil 28"	22	3104 304 22021	Bracket Side I/O
5cd*	2422 549 44258	Degaussing coil 32"	23ab*	4822 131 20704	CRT 28"
6	3104 304 21853	Bracket mains unit	23cd*	4822 131 20705	CRT 32"
7	3104 307 96221	Mains knob assy	4822 321 11499	Mains cord	
8a*	3104 307 96311	Cabinet painted 28PW8206	4822 402 11183	Mains cord holder	
8b*	3104 307 96172	Cabinet painted 28PW8506	28PW8206		
8c*	3104 307 96321	Cabinet painted 32PW8206	*a	28PW8206	
8dh*	3104 307 96751	Cabinet painted 32PW8406 / 82WA8416	*b	32PW8206	
8e*	3104 307 96192	Cabinet painted 32PW8506	*c	32PW8206	
8f*	3104 307 98181	Cabinet painted 70WA8416	*d	32PW8406	
9	3104 304 21991	Light guide	*e	32PW8506	
10	3104 304 22012	Bottom plate	*f	70WA8416/03	
11	3104 304 22751	Bracket for Mains Harmonic (only for xxxR)	*g	70WA8416/11	
12	3104 304 22762	Cover for Mains Harmonic (only for xxxR)	*h	82WA8416/03	
13	3104 304 21293	Panel	*i	82WA8416/11	
14ac*	3104 304 22301	Service connector cover			
14be*	3104 304 22312	Service connector cover			
14d*	3104 304 21641	Service connector cover			

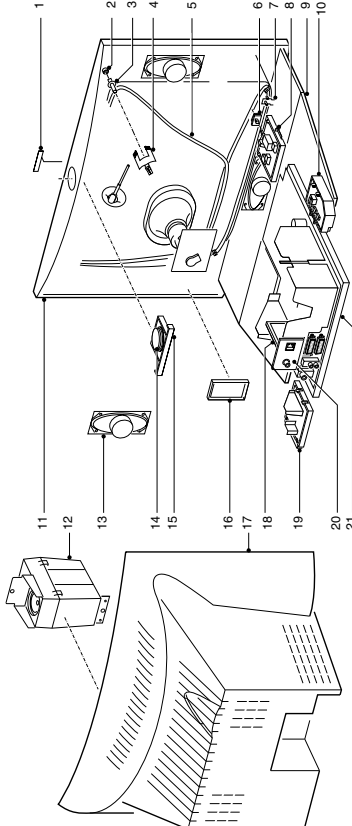
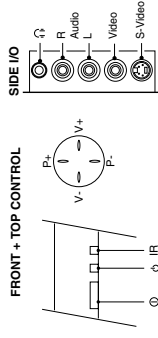
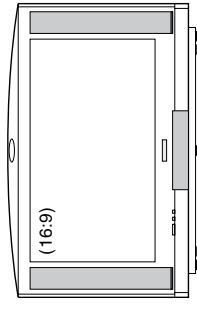
STYLING 297

STYLING 298



STYLING 297 APP
180101

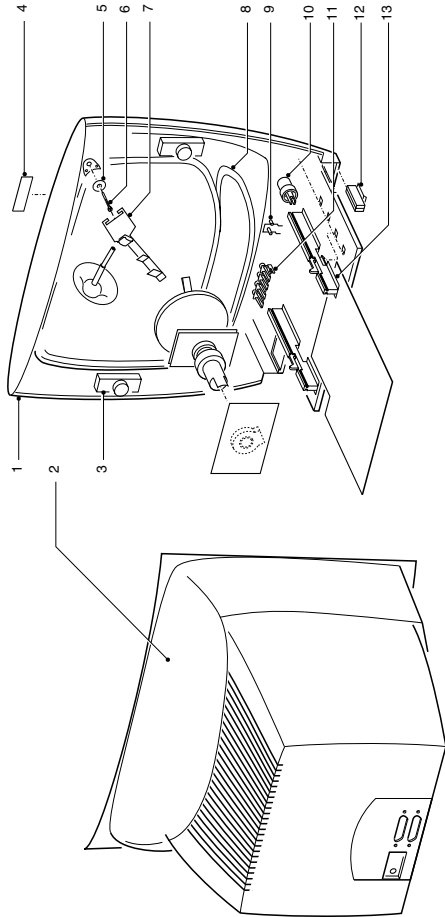
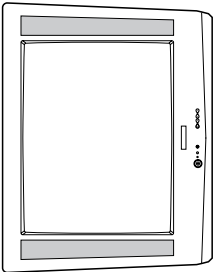
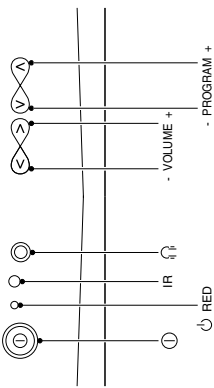
1a*	3139 137 71101	Cabinet	9322 142 09682	CRT A68QC891X001 (29"
1a*	3139 137 90611	Cabinet (79B only)		not for /73 & /79) SAMS
1b*	3139 137 98831	Cabinet	9322 142 10682	CRT A68QC891X005 (29"
1c*	3139 137 74931	Cabinet (MEC tube only)		/73 & /79 only) SAMS
1c*	3139 137 71231	Cabinet (TOSB tube only)	9322 156 43682	CRT M79LQM187X01 (34"
1d*	3139 137 91951	Cabinet		/79 only) MEC.
1f*	3139 137 94971	Cabinet	9322 169 15682	CRT A80LTM350X10 (34"
2a*	3139 124 31431	Rear cover		/56, /57, /61 & /97 only) TOSB
2b*	3139 124 31401	Rear cover (w/o YUV input)	9322 169 16682	CRT A80LTM351X10 (34"/69
2b*	3139 124 31422	Rear cover (with YUV input)		& /71 only) TOSB
2c*	3139 124 33731	Rear cover	3139 137 84471	Control knob Assy.
2d*	3139 124 35611	Rear cover	3139 128 23811	Rotation coil (29" & 34")
3abdf*	3141 050 00161	Wordmark Philips	4822 402 11113	DAF bracket
3c*	3141 050 00141	Wordmark Philips	3139 124 39581	Rotation coil bracket (29"
4bdf*	3139 137 64701	Mains knob Assy		only)
4bdf*	3139 137 83951	Mains knob Assy	3139 240 00041	DVD badge
5af*	2422 264 00379	Speaker 8Ω 10W	3139 137 91461	DVD eject knob Assy
5b*	2422 264 00403	Speaker 8Ω 10W	0019	DVD door Assy
5cd*	2422 264 00377	Speaker 8Ω 10W	0047	Antenna mixer (/61, /71 & /97
6acdf*	3141 058 63441	Subwoofer box (shielded	3139 128 72421	only)
7abdf*	3139 124 31122	Degaussing coil bracket	0049	Mains adaptor socket (/61
7c*	3139 124 32811	Degaussing coil bracket		only)
8	3111 250 40031	CRT screw	3139 124 30411	Light guide
9abdf*	3139 128 23781	Degaussing coil	0082	Mains cord relief
9c*	3139 128 23801	Degaussing coil (MEC tube)	0188	Heat-sink clamp bracket
9c*	3139 128 23821	Degaussing coil (TOSB tube)	0189	Small signal board bracket
10acf*	3139 124 30432	Front interface bracket	0313	Spacer for EHT cable
10bd*	3139 124 33461	Front interface bracket	1322 504 97401	Grease for EHT cap
11acdf*	3139 124 36361	Side AV bracket (not for /79B	*a	29PT6361
11d*	3139 124 34671	Side AV bracket - black (/79B	*b	29PT6021
		only)	*c	34PT6361
		Side AV bracket (dummy)	*d	29PT6961
11b*	3139 124 33611	Top control bracket		DVD module partlist, refer to
12acf*	3139 124 30381	Top control button Assy		service manual
13acf*	3139 137 66921	Double window bracket		3122 785 10840
14ac*	3139 124 31671	DVD interface bracket		
14d*	3139 124 33571	DVD interface bracket		



STYLING 298 APP
180101

1	3111 250 00811	Wordmark 32" silver Philips	19	3139 124 34031	Dolby interface back plate
1	3111 250 00731	Wordmark 28" silver Philips	21	3139 124 31631	Light guide
2	Not applicable			4822 402 11183	Mains cord holder
3	4822 502 14602	CRT fixing screw		2422 070 98089	Mains cord
4	4822 403 70906	Corner coil bracket			
5	4822 157 11758	Degaussing coil 28"		4822 321 11143	Mains cord UK
5	2422 549 44564	Degaussing coil 32"	ab*	4822 157 11825	Canceller coil 32"
6	3139 124 32511	Mains knob		4822 131 11345	Picture Tube 28"
8	3139 124 32521	Front interface	c*	W66ECK001X14	Picture Tube 28"
9	3139 124 35291	Mains harmonic bracket (32"	d*	W76ESF031X14+	Picture Tube 32"
		only)		9322 148 59682	Picture Tube 32"
					W76EGV023X315
10ab*	3111 257 57161	Cabinet 28"			
10c*	3111 257 57171	Cabinet 32"	*a	28PW6315/01	
11	3139 178 89221	Subwoofer	*b	28PW6315/05	
12	2422 264 00377	Loudspeaker 6Ω 10W	*c	32PW6315/01, /05	
13	3139 137 66921	Top control button	*d	32PW6315/21, /25	
14	3139 124 33941	Top control bracket			
15	3139 124 31651	Side I/O bracket			
16	3111 257 56751	Rear cover 28"			
16	3111 257 56761	Rear cover 32"			
17	3139 124 33151	Dolby prologic bracket			
18	3139 124 33361	SSB bracket			

STYLING 299

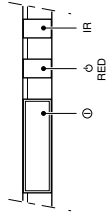


STYLING 299/298
1601/01

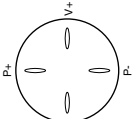
- 1 3111 257 57201 Cabinet 28"
- 2 3139 137 88991 Rear cover 28"
- 3 4822 240 10368 Loudspeaker 16Ω 5W
- 4 4822 459 11155 Wordmark, Philips
- 6 4822 505 11195 CRT fixing screw
- 7 4822 157 11762 Degaussing coil bracket 28"
- 8 4822 157 11762 Degaussing coil 28"
- 9 4822 380 10251 Light guide
- 10 3139 124 30581 Mains knob
- 11 4822 410 11765 Control knob
- 12 4822 404 31363 Mains cord relief
- 13 3139 124 30871 Chassis guide (HB)
- 13 3139 124 30881 Chassis guide (VO)
- 4822 321 11493 Mains cord UK
- 4822 321 11499 Mains cord
- 4822 403 70906 Corner coil bracket
- 4822 131 20559 Picture tube 28" A66EAK552X11
- 28PT5505/01

STYLING 301

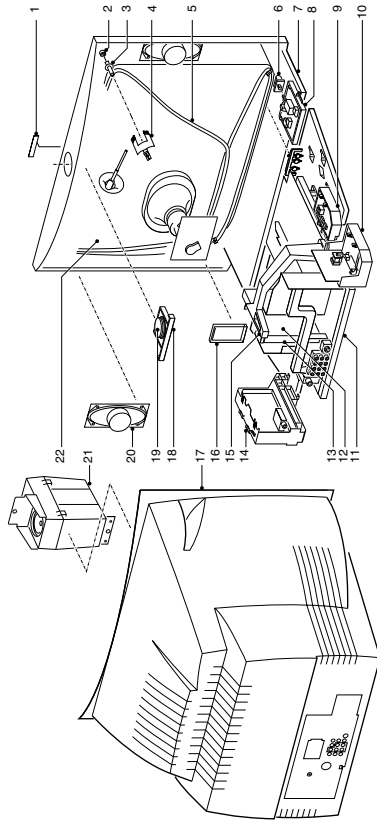
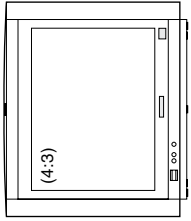
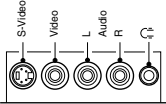
FRONT CONTROL



TOP CONTROL



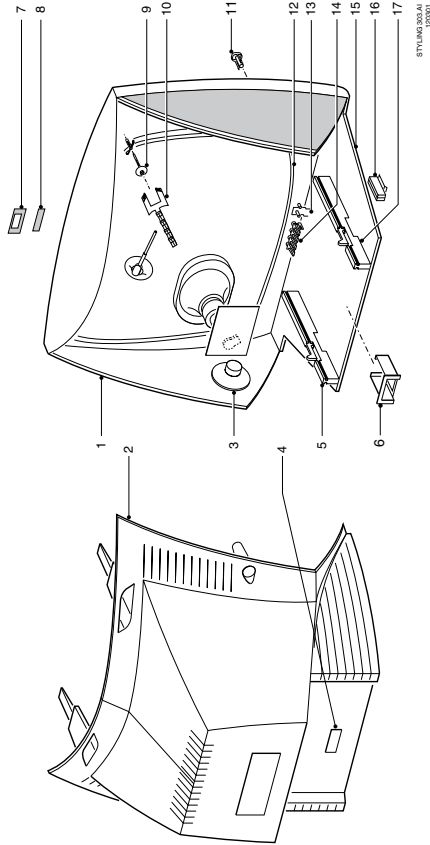
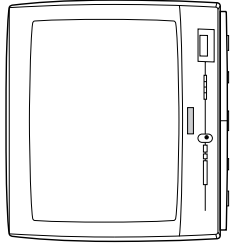
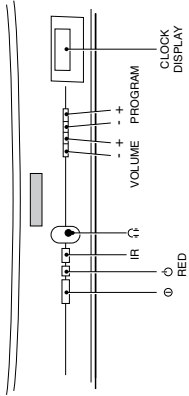
SIDE I/O



STYLING 301/299
1503/01

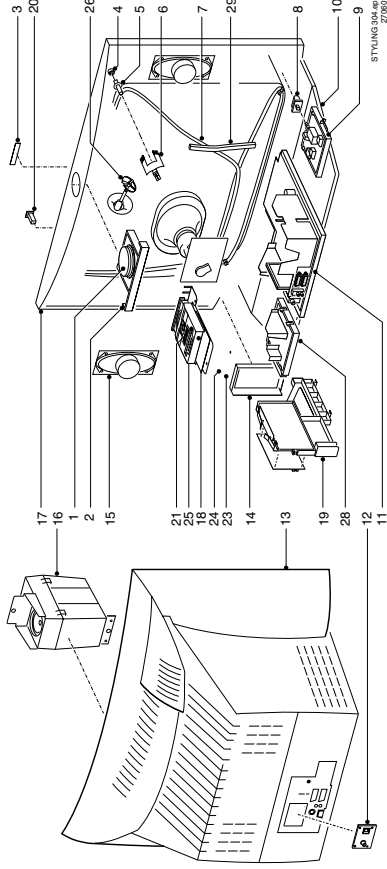
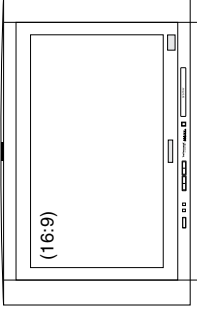
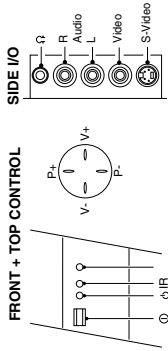
- 1 4822 454 13455 Wordmark
- 2 Not applicable CRT insert
- 3 4822 505 11195 CRT screw
- 4 3139 124 31121 Degaussing coil fixing bracket
- 5 4822 157 11708 Degaussing coil
- 5h* 2422 549 44675 Degaussing coil
- 5ijkl* 3139 128 23781 Degaussing coil
- 6 3104 307 96741 Mains knob assy
- 6h* 3104 307 97651 Mains knob assy
- 7 3104 328 08451 Cabinet assy
- 7h* 3104 328 12351 Cabinet assy
- 7i* 3104 328 13541 Cabinet assy
- 7k* 3104 328 15291 Cabinet assy
- 7l* 3104 328 12981 Cabinet assy
- 8 3139 124 30431 Bracket for Mains Switch
- 8h* 3139 124 32891 Bracket for Mains Switch
- 8ijkl* 3139 124 32521 Bracket for Mains Switch
- 9 3139 124 33211 Bracket for Mains Harmonic
- 10 3104 304 21652 Bracket for DAF/DC-shitt
- 11 3104 304 22832 Bracket for Large Signal Panel
- 12 3104 301 24011 Shielding SSB (bottom cover)
- 12hijkl* 3104 301 24051 Shielding SSB (top cover)
- 13 3104 301 24002 Shielding SSB (top cover)
- 14cdefgk* 3104 304 22073 Bracket for PIP/Multivoltage panel
- 14h* 3104 304 22431 Bracket for PIP/DW panel
- 14ijl* 3104 304 23801 Bracket for PIP
- 15 3104 304 21114 Bracket for LOT/SSB
- 16 3139 124 36361 Bracket for Side I/O panel
- 17ab* 3104 328 12421 Rear cover assy
- 17h* 3104 307 99121 Rear cover assy
- 17i* 3104 328 12991 Rear cover assy
- 17k* 3104 304 23931 Rear cover assy
- 17l* 3104 304 23851 Rear cover assy
- 17h* 3139 178 64271 Top Control assy
- 18h* 3139 178 82271 Top Control assy
- 18ij* 3139 178 82271 Top Control assy
- 18kl* 3139 178 60461 Top Control assy
- 19 3104 307 97181 Top Control keypad assy
- 19ijkl* 3139 137 66821 Top Control keypad assy
- 20 3139 128 76081 Loudspeaker assy
- 21 9099 291 10017 Subwoofer assy
- 22abcdg* 9322 160 14682 Picture tube A68GCCP891X500
- 22e* 9322 160 15682 Picture tube A68GCCP891X501
- 22f* 9322 160 16682 Picture tube A68GCCP891X502
- 22h* 3104 309 16301 Picture tube A68GCCP891X500
- 22ijkl* 3104 309 16311 Picture tube A68GCCP891X501
- a* M169 Mains cord
- bg* 4622 007 51852 Mains cord
- c* 2122 070 98131 Mains cord
- f* 4822 321 11499 Mains cord
- h* 3139 128 75231 Mains cord
- i* 3104 328 16451 Mains cord
- j* 3139 128 75251 Mains cord
- k* 3139 128 75291 Mains cord
- l* 3139 128 75672 Mains cord
- ijk* 3139 128 75261 Mains cord
- 3122 224 04623 Mains cord holder
- 3106 104 24932 Mains cord holder
- hijkl* 3139 124 30411 Light guide
- h* 3139 124 33811 Light guide
- h* 3139 124 32791 Mains knob shaft
- ijkl* 3139 124 33011 Mains knob shaft
- 4822 157 11825 Rotation coil
- h* 3128 138 60651 Cover plate YpbPr
- 3104 304 21321 Adapter IEC/F-connector
- kl* 3104 308 78171 Adapter IEC/F-connector
- 2422 031 10912 Adapter 300/75Ω
- 29PT8319/57R
- 29PT8319/83R
- 29PT8419/56R
- 29PT8419/57R
- 29PT8419/69R
- 29PT8419/79R
- 29PT8419/93R
- 27PT8419/17
- 29PT8419/61R
- 29PT8419/71R
- 29PT8419/77
- 29PT8419/78

STYLING 303



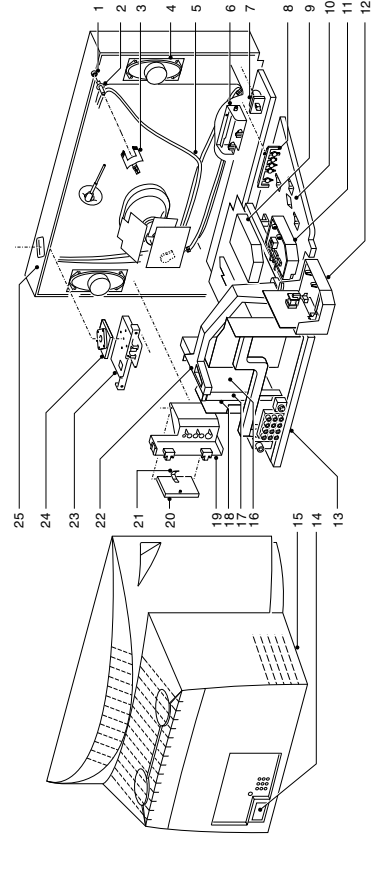
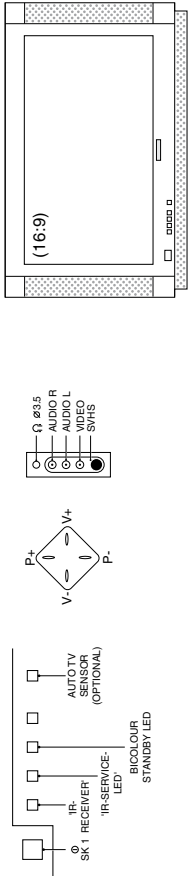
1	3139 137 93921	Cabinet
2	3111 254 25251	Rear cover
3	2422 264 00414	Speaker 8Ω/ 5W
4	3139 137 69151	CAP
5	3139 124 30871	Chassis guide
6	3135 014 08752	Bracket fix. system card
7	3119 107 17511	Lens for clock display
8	3111 250 00641	Word mark
9	4822 502 14508	Screw & washer
	4822 404 30945	Degaussing coil bracket
10	4822 401 11765	Coil & THT clamp
11	3139 137 76451	Mains knob
12	4822 157 11532	Degaussing coil
13	3139 124 32501	Light guide
14	3139 137 76461	Control knob
15	3139 124 33291	Plate VO
16	4822 404 31291	Mains cord holder
17	3139 124 30811	Chassis guide left (VO)
	3139 124 30871	Chassis guide right (VO)
	4822 321 11425	Mains cord
	4822 321 11493	Mains cord UK
	4822 131 11105	Picture Tube 21" A51EAL155X47

STYLING 304



1	3139 137 66921	Top control button
2	3139 124 33941	Top control bracket
3	4822 454 13455	Wordmark
3b*	3111 250 00731	Wordmark Philips
5	4822 505 11195	CRT fixing screw
6	4822 403 70906	Degaussing coil bracket
7	2422 549 44621	Degaussing coil 28"
8	3139 124 33801	Mains knob
9	3139 124 32521	Front interface bracket
11	3139 124 32542	Chassis tray
12	3139 124 33361	SSB bracket
13a*	3111 257 56701	Rear cover
13b*	3111 257 57531	Rear cover
13c*	3111 257 57451	Rear cover
14	3139 124 31651	Side I/O bracket
15	2422 264 00377	Loudspeaker 8Ω, 10W
16	3139 128 76372	Subwoofer
17a*	3111 257 56691	Cabinet
17b*	3111 257 57521	Cabinet
17c*	3111 257 57441	Cabinet
18	3139 121 27061	DVD top shielding
19	3139 124 33571	DVD interface bracket
20	3139 137 91461	DVD eject knob
21ab*	3111 257 56712	DVD door
22	3111 254 25181	DVD loader bracket
23	3111 251 20341	DVD bottom shielding
24	3111 254 25191	DVD stopper
25	3111 254 24921	DVD reader bracket
26	4822 552 13136	EHT spacer
27b*	3139 124 34031	Dolby interface back plate
28b*	3139 124 33151	Dolby prologic bracket
29	4822 404 31341	Coil clamp (=3104304152917)
	4822 404 31291	Mains cord relief
	3139 124 33811	Light guide
	9301 805 90301	Picture tube 28"
	W66ERF001X013	
	4822 321 11139	Mains cord
	4822 321 11493	Mains cord UK
	3139 124 35291	Mains harmonic bracket
a*	311125756731	F/O DVD MODULE INTERFACE A10
b*	311125757581	F.O.DVD/DPLMOD INTERFACE A10
a*	311125756721	F.O DVD LOADER A10
b*	311125757741	F.O DVD/DPL LOADER A10
a*	311125756712	F/O DOOR DVD 28RF A10
b*	311125756712	F/O DOOR DVD 28RF A10
*a	28PW6816	
*b	28PW6826	
*c	28PW6526	

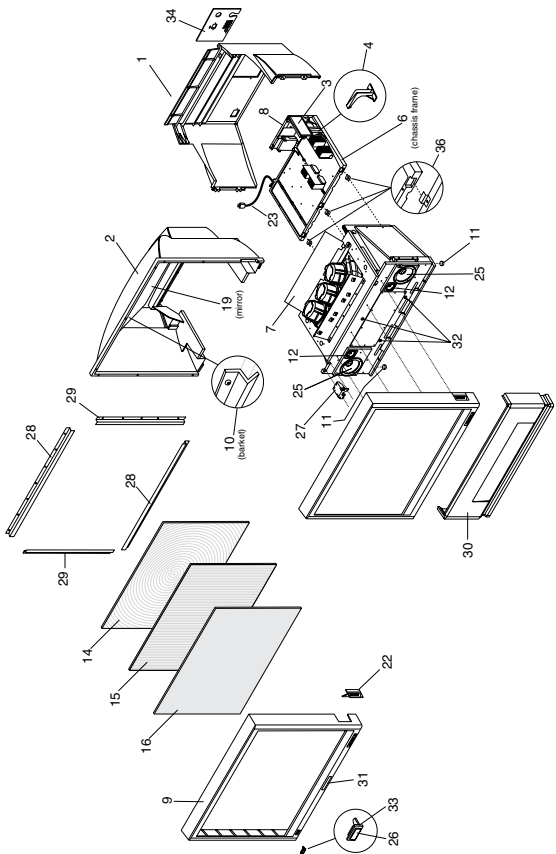
STYLING 305



STYLING 305 EPS 120301

1ae*	Not applicable	20	3104 301 23972	Metal spring for door
1b*	3104 308 74023	21	3104 304 24031	Door Side I/O
2ace*	4822 505 11195	22abe*	3104 304 21114	Bracket for LOT/SSB
2bd*	4822 502 21359	22cd*	3104 304 23011	Bracket for LOT/SSB
3ace*	4822 403 70906	23	3104 304 19794	Top Control bracket
3bd*	4822 404 31289	24	3104 304 20921	Top Control keypad
4	2422 264 00386	25a*	3104 328 14171	Cabinet assy
5ace*	2422 549 44621	25b*	3104 328 14181	Cabinet assy
5bd*	2422 549 44244	25c*	3104 328 15001	Cabinet assy
6	3104 304 21853	25d*	3104 328 14991	Cabinet assy
7ab*	3104 307 98171	a*	3104 300 12201	Wordmark
7cd*	3104 307 97721	b*	3104 300 12191	Wordmark
7e*	3104 307 96232	ce*	3104 300 12031	Wordmark
8	3104 304 21871	d*	3104 300 11991	Wordmark
9abe*	3104 304 22762	ace*	9301 852 40306	CRT 28"
10	3104 304 22012	bd*	9301 852 00314	CRT 32"
11abe*	3104 304 22751	ab*	4822 157 11825	Rotation coil
12abe*	3104 304 21652	cd*	3128 138 60651	Rotation coil
12cd*	3104 304 23041	e*	3128 138 60661	Rotation coil
13abe*	3104 304 21293		4822 321 11499	Mains cord -79
13cd*	3104 304 23001		4622 001 60961	Mains cord holder
14ab*	3104 304 22301		4822 402 11183	Mains cord holder
14cde*	3104 304 22312		3104 300 20181	Cinch/S-VHS for -157/69/79
15ae*	3104 307 96331		3104 300 20191	Adapter EURO to 3 x Cinch for -157/69/79
15b*	3104 307 96342			
15c*	3104 307 97381	a*	28PW8707/12, /19, /58	Rear cover assy
15d*	3104 307 97391	b*	32PW8707/12, /19, /58	Rear cover assy
16	3104 301 23963	c*	28PW8807/12, /19, /58	Rear cover assy
17abe*	3104 301 23942	d*	32PW8807/12, /19, /58	SSB shielding (bottom cover)
17cd*	3104 301 24121	e*	28PW8817/12, /19	SSB shielding (frame)
18	3104 301 23952			SSB shielding (frame)
19abcd*	3104 304 24041			SSB shielding (top cover)
19e*	3104 304 21932			Bracket for Side I/O panel

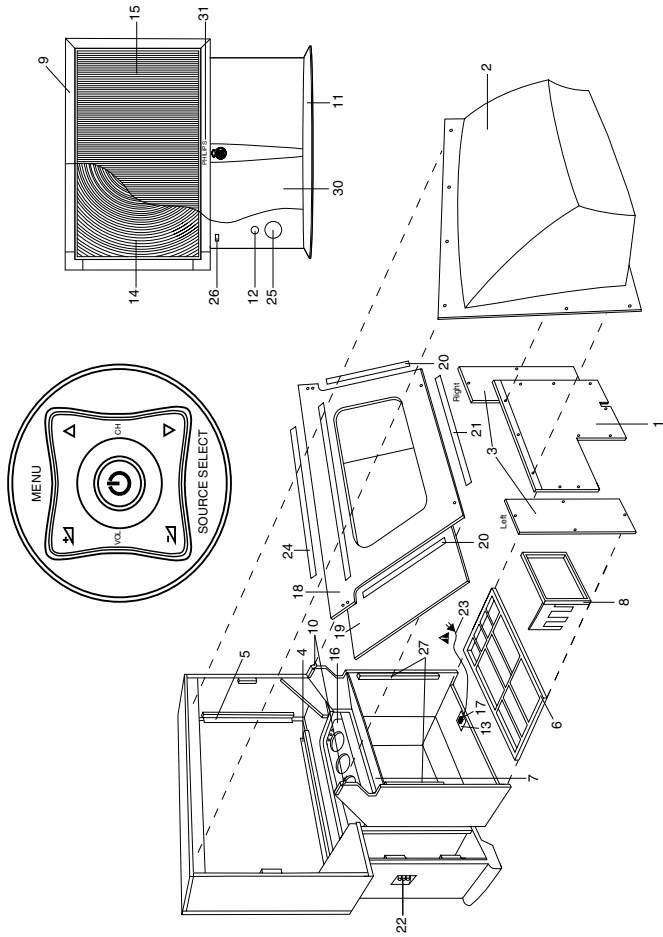
STYLING 306



STYLING 306 EPS 020301

1	3135 014 10133	Back cover 43"
2	3135 037 50021	Back upper assembly
3	3135 014 10062	Pip frame
4	3135 014 10321	SSB support bracket
6	3135 014 09962	Chassis frame
7	3135 013 03731	Rear barrier 43"
8	3135 014 10331	Rear jack frame tuner
9	3135 017 07443	Front assy
10	3135 011 04611	Mirror mounting bracket
11	3135 010 09741	Foot
12	2422 264 00422	Loudspeaker tweeter 8Ω 25W
14	3135 014 10311	Fresnel lens 43"
15	3135 014 10301	Lenticular lens 43"
16	3135 014 10022	Screen filler 43"
19	3135 034 90011	Mirror 2nd surface 43"
22	3135 017 07462	Slide jack assy
23	2422 070 98155	Mains cord AUS
25	2422 264 00421	Loudspeaker woofer 8Ω 25W
26	3135 014 10421	Button
27	3135 014 10361	Housing vacation switch
28	3135 011 04481	Screen top and bottom bracket
29	3135 011 04491	Screen side bracket
30	3135 017 07452	Grill assy
31	3135 015 02511	Wordmark
32	3135 013 02761	Baffle mounting cup
33	3135 017 06971	Vacation switch button assy
34	3135 015 20021	Label overlay rear jack panel
36	3135 011 02011	Chassis mounting bracket

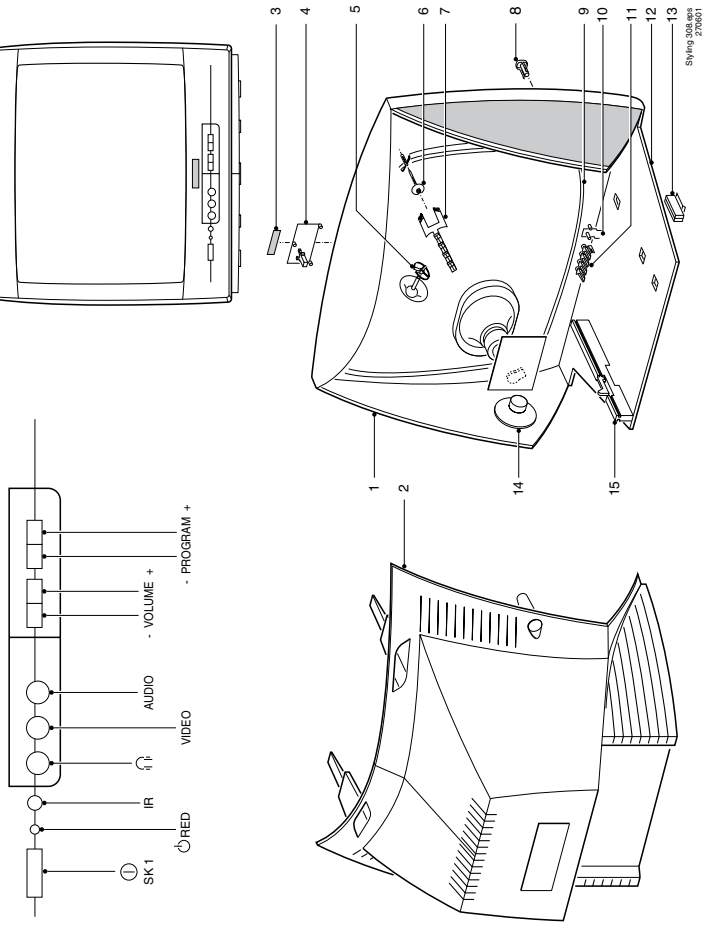
STYLING 307



STYLING 307-000
L2001

1	3135 013 03691	Cabinet back cover center	20	3135 014 03461	Bracket for mirror to board mount
2	3135 014 07632	Back upper cabinet 55"	21	3135 011 03003	Top panel stiffener
3	3135 014 07622	Back lower cabinet 50"	22	3135 017 03612	Jack panel assy
6	3135 013 03681	Cabinet back cover end	23	2422 070 98163	Mains cord EUR
	3135 014 09862	Chassis frame	23	2422 070 98155	Mains cord AUS
7	3135 013 03721	Center barrier for UL 55"	23	2422 070 98157	Mains cord UK
7	3135 013 03701	Center barrier for UL 50"	24	3135 014 03491	Bracket for mirror to board mount
8	3135 014 10331	Frame rear jack for tuner	25	2422 264 00421	Loudspeaker woofer 8Ω 25W
9	3135 017 07011	Frame assy silver 50"	26	3135 014 10421	Button
10	3135 011 02021	Mirror bracket	30	3135 017 06861	Baffle speaker grill
11	3135 037 50051	Base	31	3135 015 02511	Wordmark
12	2422 264 00422	Loudspeaker tweeter 8Ω 25W		3135 014 09641	Extrusion horizontal 55"
14	3135 014 07801	Fresnel lens 55"		3135 014 09621	Extrusion horizontal 50"
14	3135 014 07781	Fresnel lens 50"		3135 014 09651	Extrusion vertical 55"
15	3135 014 07791	Lenticular lens 55"		3135 014 09631	Extrusion vertical 50"
15	3135 014 07771	Lenticular lens 50"		3135 013 02761	Baffle mounting cup
18	3135 013 03712	Mirror board 55"		3135 017 06951	Bezel vacation switch assy
18	3135 013 03671	Mirror board 50"		3135 011 02011	Chassis mounting bracket
19	3135 013 02731	Mirror 2nd surface 55"			
19	3135 013 02721	Mirror 2nd surface 50"			

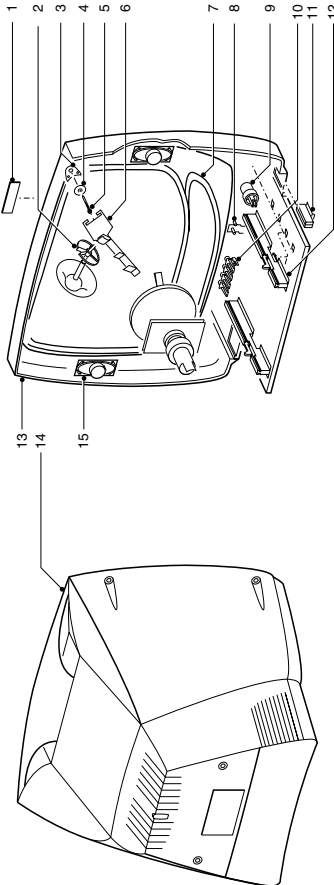
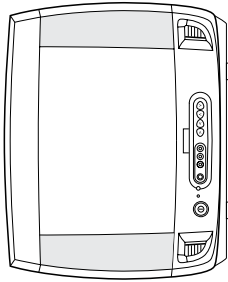
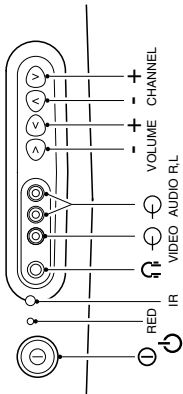
STYLING 308



STYLING 308-000
L2001

1	3139 137 83691	Cabinet (xxB) Turquoise	7	4822 404 31325	Degaussing coil bracket
1	3139 137 83711	Cabinet (xxA) Amber	8	3139 137 79221	Mains knob
1	3139 137 91241	Cabinet (xxV) Amethyst	9	2422 549 44446	Degaussing coil
1	3139 137 91251	Cabinet (xxG) Aquamarine	10	3139 124 34051	Light guide
1	3139 137 83721	Cabinet (xxP) Pearl	11	3139 137 79231	Control knob
1	3139 137 83701	Cabinet (xxS) Silver Shadow	12	3139 124 34111	Bottom plate (VO)
2	3139 137 91221	Rear Cover (xxB) Turquoise	13	4822 404 31291	Mains cord relief
2	3139 137 91201	Rear Cover (xxA) Amber	14	2422 264 00412	Loudspeaker 8Ω 10W
2	3139 137 91231	Rear Cover (xxV) Amethyst	15	3139 124 34091	Chassis guide (VO)
2	3139 137 91231	Rear Cover (xxG) Aquamarine		4822 321 11499	Mains cord EU
2	3139 137 91211	Rear Cover (xxF) Pearl		4822 321 11493	Mains cord UK (05x)
2	3139 137 91191	Rear Cover (xxS) Silver Shadow		3111 257 56161	Rod antenna (01x, 58x)
3	Not applicable			4822 303 91283	Aerial (05x)
4	3139 137 85461	Door (xxA) Turquoise		9301 862 00313	Picture tube A34EAC1X113
4	3139 137 85481	Door (xxB) Amber			
4	3139 137 91181	Door (xxV) Amethyst			
4	3139 137 91171	Door (xxG) Aquamarine			
4	3139 137 85471	Door (xxF) Pearl			
4	3139 137 85451	Door (xxS) Silver Shadow			
5	4822 401 11765	Coil & THT clamp			
6	4822 502 30739	CRT Fixing screw			

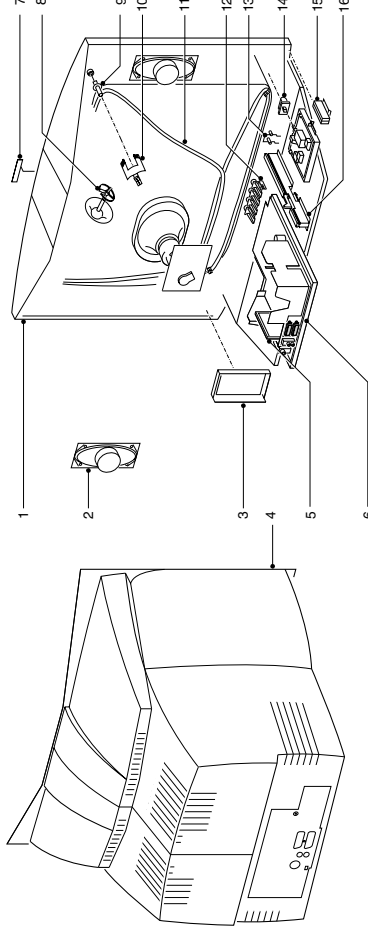
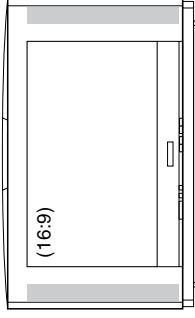
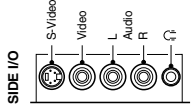
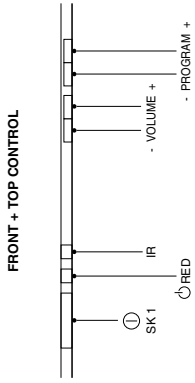
STYLING 309



Styling 309.eps
27061

1	3111 250 00941	Wordmark (silver shadow)
1d*	3111 250 00991	Wordmark (red silver)
2	4822 401 11765	Coil & THT clamp
3	3139 124 28491	Tube spacer
4	Not applicable	
5	4822 502 30739	CRT fixing screw
6	4822 404 31325	Degaussing coil bracket
7	2422 549 44446	Degaussing coil 14"
8	3139 124 27781	Light guide
9	3139 137 99251	Mains knob
10	3139 137 99261	Control knob
11	4822 466 11453	Mains cord relief
12	4822 463 11125	Chassis guide (VO)
13	3111 257 57781	Cabinet
13b*	3139 137 99271	Cabinet
13d*	3139 138 12821	Cabinet
14	3139 124 36381	Rear cover
15	2422 264 00399	Loudspeaker
ac*	9322 139 76682	Picture tube A34AGT13X95E
	3111 257 56161	Rod antenna
b*	4822 303 91283	Aerial
b*	4822 321 11493	Mains cord UK
ac*	4822 321 11499	Mains cord
*a	14PT2666/01	
*b	14PT2666/05	
*c	14PT2666/58	
*d	14PT2666/05R	

STYLING 310

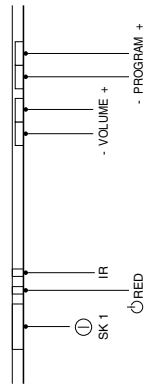


Styling 310.eps
27061

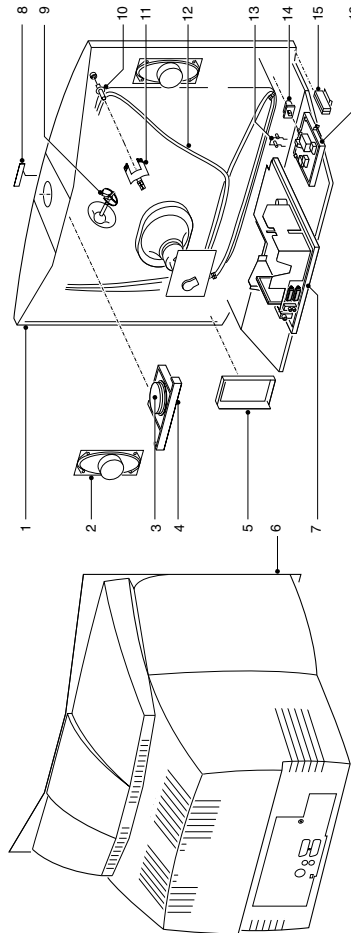
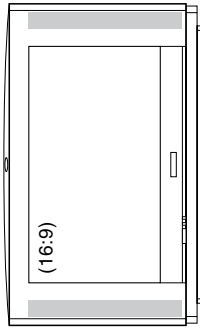
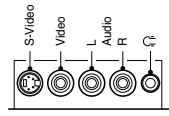
1	3139 137 79241	Cabinet
2b*	2422 264 00409	Loudspeaker 8Ω 5W
3b*	3139 124 37661	Side AV bracket
4	3139 124 34931	Rear cover
5	Not applicable	
6	Not applicable	
7	4822 454 13455	Wordmark Philips
8	4822 401 11765	EHT & degaussing coil clamp
9	4822 505 11195	CRT fixing screw
10	4822 402 10047	Degaussing coil bracket
11	2422 549 44563	Degaussing coil 24"
12	3139 137 96951	Control knob
13	3139 124 34791	Light guide
14	3139 137 96941	Mains knob
15	4822 404 31291	Mains cord relief
16	3139 124 30871	Chassis guide (HB)
b*	3111 257 71441	Stand (silver)
	3139 124 33341	VO plate
b*	4822 321 11493	Mains cord UK
a*	4822 321 11499	Mains cord EU
	9301 760 20301	Picture tube W56ECK001X04
*a	24PW6006/01	
*b	24PW6006/05	

STYLING 311

FRONT + TOP CONTROL



SIDE I/O



Styling 311.jpg
270601

1	3111 257 56911	Cabinet
2	2422 264 00409	Loudspeaker 8Ω 5W
3	3139 137 66921	Top control button
4	3139 124 30381	Top control bracket
5	3139 124 37661	Side AV bracket
6	3139 124 35241	Rear cover
7	3139 124 33541	Chassis tray
8	4822 454 13455	Wordmark Philips
9	4822 401 11765	EHT and degaussing coil clamp
10	4822 502 14602	CRT fixing screw
11	4822 403 70906	Degaussing coil bracket
12	4822 157 11758	Degaussing coil 28"
13	3139 124 31631	Light guide
14	3139 124 32511	Mains knob
15	3139 124 33011	Mains knob relief
16	4822 404 31291	Mains cord relief
ac*	3139 124 32521	Front interface bracke
b*	4822 321 11499	Mains cord EU
	4822 321 11493	Mains cord UK (/05, /25)
	4822 131 11345	Picture tube W66ECK001X14

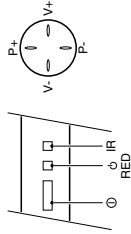
*a 28PW6006/01

*b 28PW6006/05

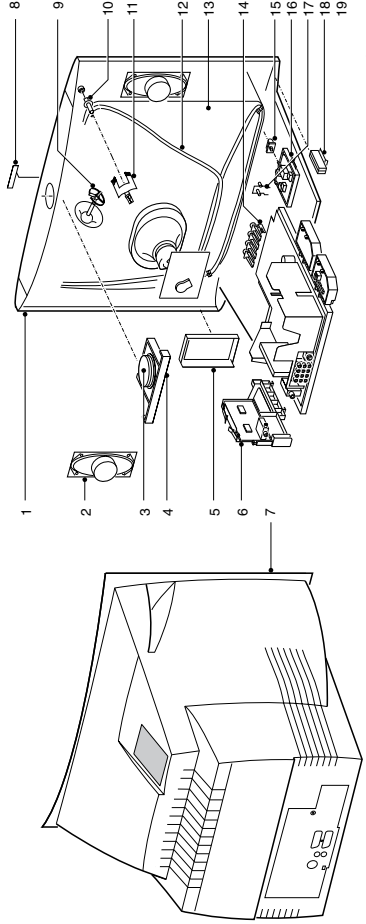
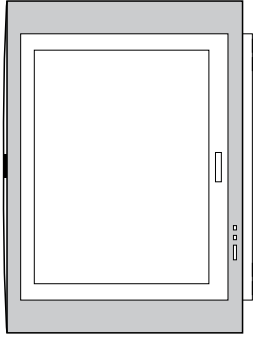
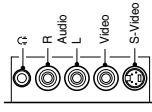
*c 28PW6006/58

STYLING 312

FRONT + TOP CONTROL



SIDE I/O

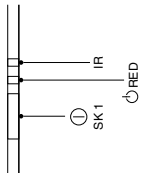


Styling 312.jpg
270601

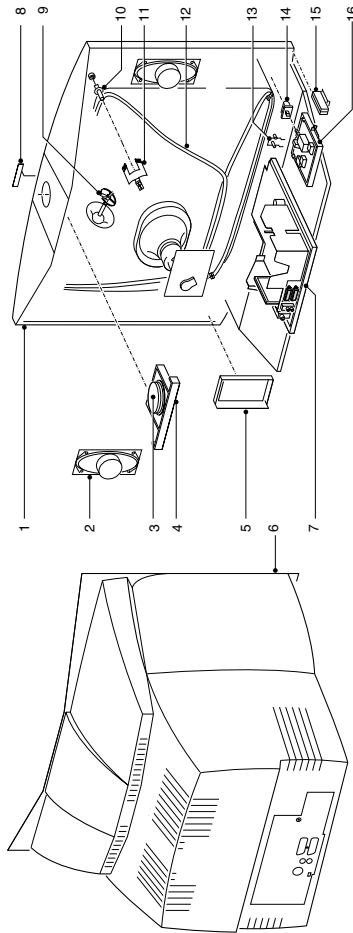
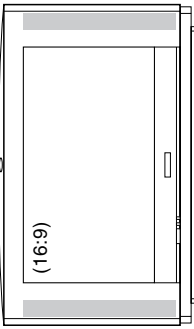
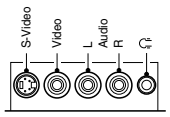
1	3111 257 56891	Cabinet 29"
2	3139 128 76301	Loudspeaker 8Ω 5W
3	3139 137 66921	Top control button
4	3139 124 30381	Top control bracket
5	3139 124 37661	Side AV bracket
6	3111 257 56641	Rear cover
7	4822 454 13455	Wordmark Philips
8	3111 254 23481	EHT & degaussing coil clamp
9	4822 505 11195	CRT fixing screw
10	3139 124 31121	Degaussing coil bracket
11	2422 549 44579	Degaussing coil 28"
12	3139 124 33801	Mains knob
13	3139 124 32521	Front interface bracket
14	3139 124 33811	Light guide
15	4822 404 31291	Mains cord relief
16	3139 124 33541	Chassis tray
17	4822 532 13136	Insulator ring (VO)
18	4822 321 11489	Mains cord EU
19	9322 162 09682	Picture tube 29" A68QCP891X604

STYLING 313

FRONT + TOP CONTROL



SIDE I/O



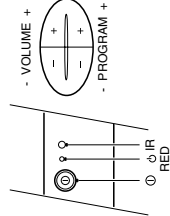
Styling 313
270001

1	3111 257 56931	Cabinet 32"
2	2422 264 00409	Loudspeaker 8Ω 5W
3	3139 137 66921	Top control button
4	3139 124 30381	Top control bracket
5	3139 124 37661	Side AV bracket
6	3139 124 37221	Rear cover 32"
7	3139 124 33541	Chassis tray
8	3111 250 00811	Wordmark Philips
9	4822 401 11765	Coil & EHT clamp
10	4822 502 14602	CRT fixing screw
11	4822 403 70906	Degaussing coil bracket
12	2422 549 44564	Degaussing coil 32"
13	3139 124 31631	Light guide
14	3139 124 32511	Mains knob cover
14	3139 124 33011	Mains knob shaft
15	4822 404 31291	Mains cord relief
16	3139 124 32521	Front interface bracket
ac*	4822 321 11499	Mains cord EU
b*	4822 321 11493	Mains cord UK
	4822 131 11215	Picture tube W76ESF031X14 (9301 713 30314)
d*	9322 166 53682	Picture tube W76EGV023X815

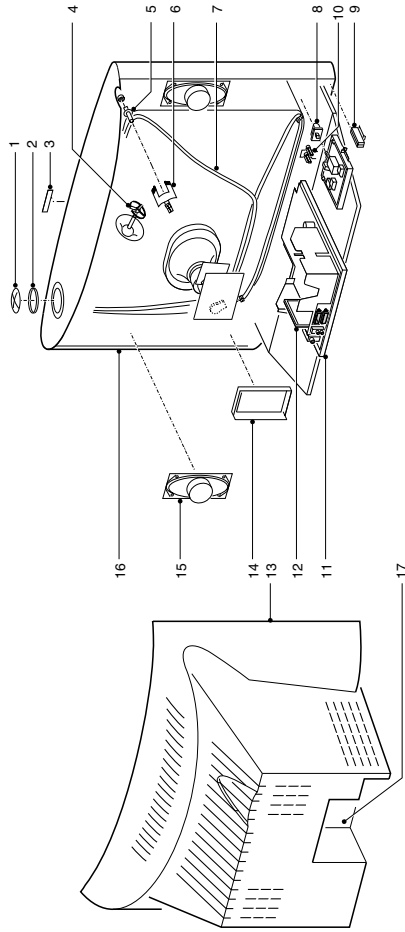
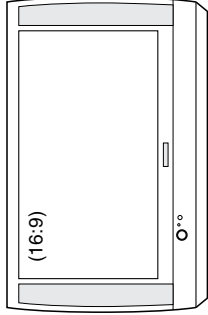
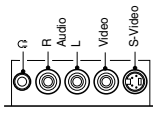
*a 32PW6006/01
 *b 32PW6006/05
 *c 32PW6006/58
 *d 32PW6006/21/25/48

STYLING 314

FRONT + TOP CONTROL



SIDE I/O



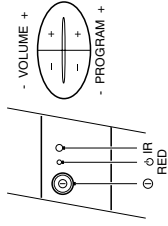
Styling 314
26001

1	3139 137 77561	Top control button
2	3139 124 26992	Top control bracket
3a*	4822 454 13455	Wordmark Philips (silver)
3b*	3111 250 00971	Wordmark Aristona
3c*	3111 250 00961	Wordmark Sbr
3d*	3111 250 00981	Wordmark Radiola
4	4822 401 11765	Coil & EHT clamp
5	4822 502 14602	CRT fixing screw
6	4822 403 70906	Degaussing coil bracket
7	4822 157 11758	Degaussing coil 28"
8	3139 137 75631	Mains knob
9	4822 401 11764	Mains cord relief
9ab*	3104 304 14765	Mains cord relief (/05)
10	4822 380 10238	Light guide
11	3139 124 26412	Bottom plate
13	3139 124 38791	Rear cover 28"
14	3139 124 38881	Side AV bracket
15	2422 264 00404	Loudspeaker 8Ω 6W
16	3111 257 56971	Cabinet 28"
	4822 131 11345	Picture tube W66ECK001X14
	4822 321 11499	Mains cord

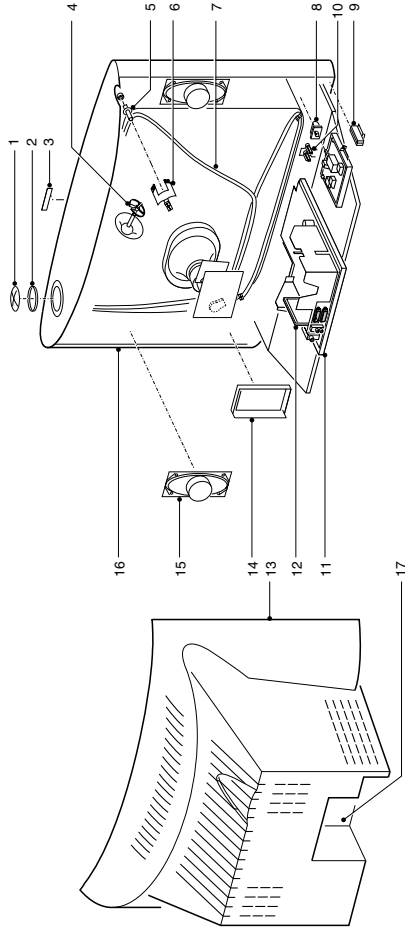
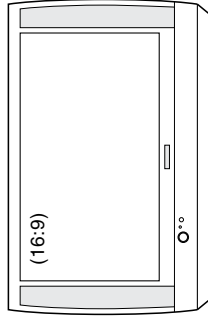
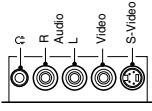
*a 28PW5407/01/05
 *b 70WA6216/03
 *c 70WA6216/11
 *d 70WA6216/18

STYLING 315

FRONT + TOP CONTROL



SIDE I/O

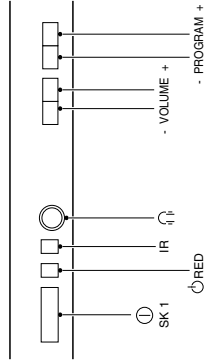


Styling 315.jpg
27/06/01

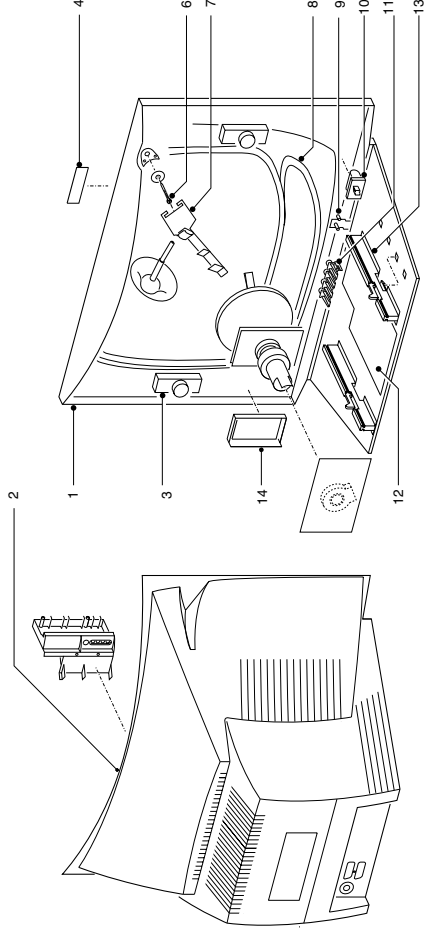
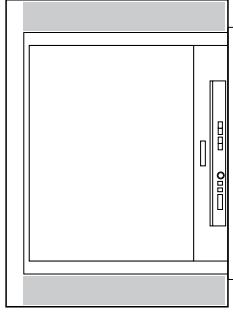
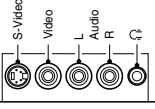
1	3139 137 77561	Top control assy
2	3139 124 26992	Top control bracket
3	3111 250 00811	Wordmark, Philips
4	4822 401 11765	Coil & EHT clamp
5	4822 502 14602	CRT fixing screw
6	4822 403 70906	Degaussing coil bracket
7	2422 549 44564	Degaussing coil 32"
8	3139 137 75631	Mains knob
9	4822 401 11764	Mains cord relief
10	4822 380 10238	Light guide
11	3139 124 33541	Chassis tray
12	Not applicable	
13	3139 124 38861	Rear cover
14	3139 124 38881	Side AV bracket
15	2422 264 00404	Loudspeaker 8Ω 6W
16	3111 257 56921	Cabinet 32"
17	3139 124 38701	Rear jack panel
c*	9322 166 53682	Picture tube 32" W76EGV023X815
	4822 321 11499	Mains cord EU
	4822 131 11215	Picture tube W76ESF031X14
*a	32PW6407/01	
*b	32PW6407/05	
*c	32PW6407/21	
*d	32PW6407/25	

STYLING 316

FRONT + TOP CONTROL



SIDE I/O

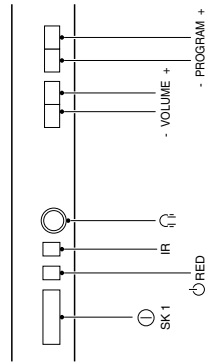


Styling 316.jpg
27/06/01

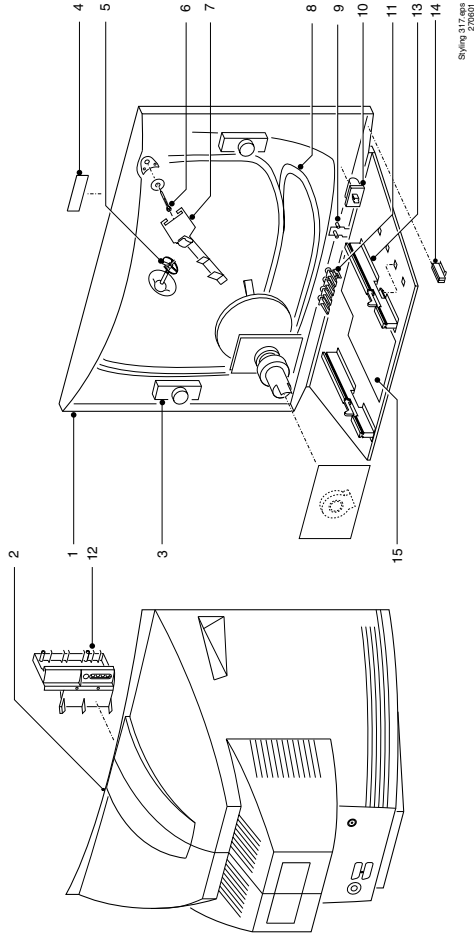
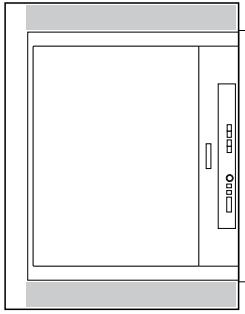
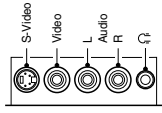
1	3139 137 96031	Cabinet 21"
2	3139 124 32211	Rear cover 21"
3	2422 264 00436	Loudspeaker 16Ω 5W
4	3111 250 00911	Wordmark (silver shadow)
5	4822 404 31291	Mains cord relief
6	4822 505 11195	CRT fixing screw
7	3139 124 33472	Degaussing coil bracket
8	2422 549 44669	Degaussing coil 21"
9	3139 124 32221	Light guide
10	3139 137 93691	Mains knob
11	3139 137 93771	Control knob
12	3139 124 33341	VO plate
13	3139 124 30871	Chassis guide
	9301 866 80342	Picture tube A51ERF135X72
	4822 321 11499	Mains cord EU
	4822 321 11493	Mains cord UK

STYLING 317

FRONT + TOP CONTROL



SIDE I/O

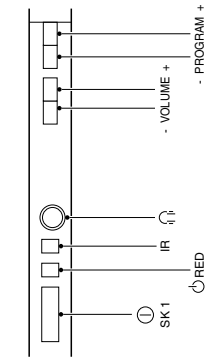


Styling 317 rev. 270001

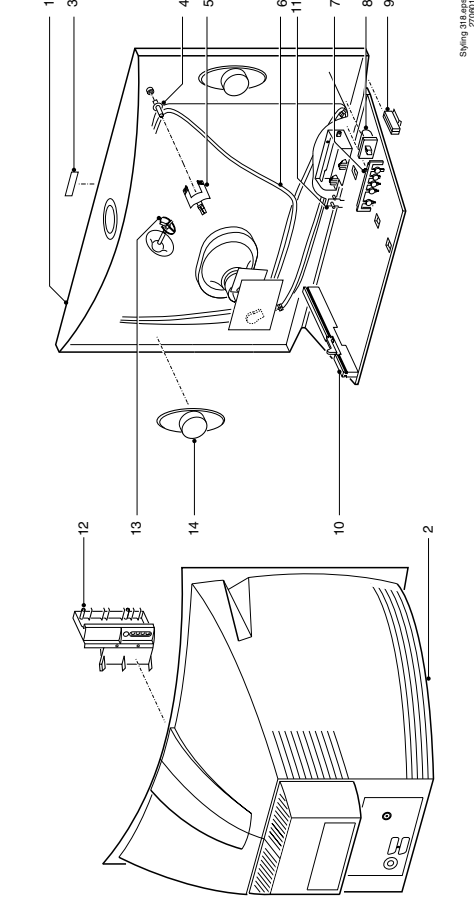
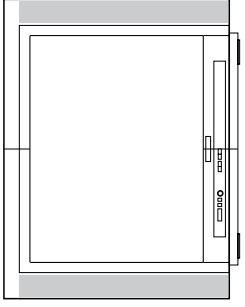
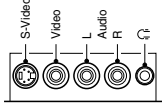
1	3139 137 79991	Cabinet 21"
2	3139 124 38291	Rear cover 21"
3	2422 264 00436	Loudspeaker 16Ω 5W
4	3111 250 00841	Wordmark (red silver)
5	3111 254 23481	Coil & EHT clamp
6	4822 502 14508	CRT fixing screw
7	4822 404 30945	Degaussing coil bracket
8	2422 549 44669	Degaussing coil
9	3139 124 34401	Light guide
10	3139 137 91341	Mains knob
11	3139 137 91331	Control knob
12	3139 124 37661	Side AV bracket
13	3139 124 30871	Chassis guide
14	4822 404 31291	Mains cord relief
15	3139 124 33291	VO plate
	4822 321 11499	Mains cord EU
	4822 321 11493	Mains cord UK
a*	4822 131 11105	Picture A51EAL155X47
	9301 842 70329	Picture A51EAL135X47
*a	21PT4456/58C	Mains cord EU

STYLING 318

FRONT + TOP CONTROL



SIDE I/O

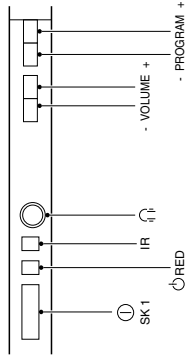


Styling 318 rev. 270001

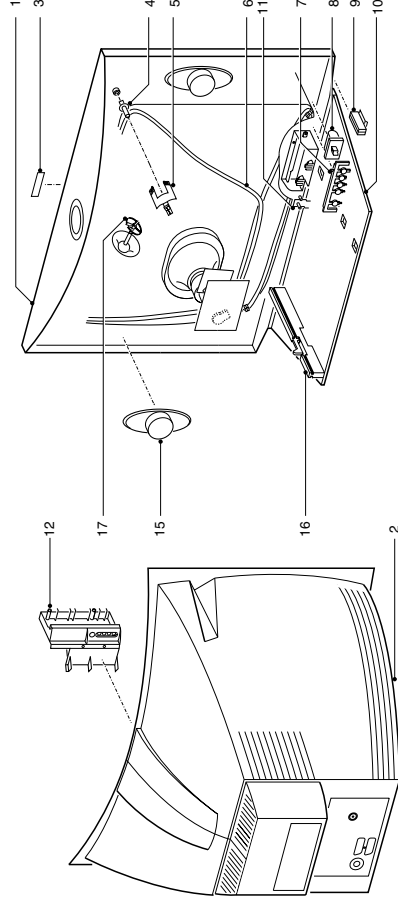
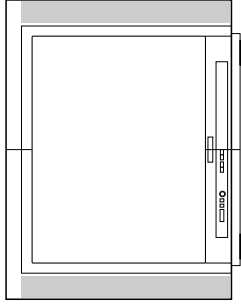
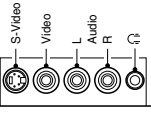
1a*	3139 137 79801	Cabinet 25"
1b*	3139 137 92991	Cabinet 25"
2	3139 124 38471	Rear cover
3a*	3111 250 00831	Wordmark (red silver)
3b*	3111 250 00731	Wordmark Philips
4	4822 505 11195	CRT fixing screw
5	4822 403 70906	Degaussing coil bracket
6	2422 549 44253	Degaussing coil 25"
7	3139 137 93871	Control knob
8	3139 137 93861	Mains knob
9	4822 404 31291	Mains cord relief
10	3139 124 30881	Chassis guide
11	3139 124 35681	Light guide
12	3139 124 37661	Side AV bracket
13	4822 401 11765	Coil & EHT clamp
14	2422 264 00435	Loudspeaker 8Ω 5W
a*	9301 710 90383	Picture tube A59EAK071X11 (4822 131 11184)
b*	4822 131 20568	Picture tube A59EAK552X11
c*	9322 147 09682	Picture tube A59EMZ43X07
	4822 321 11499	Mains cord EU
*a	25PT4456/00/01/05	Mains cord EU
*b	25PT5106	Mains cord EU
*c	25PT4456/20/21/25/48	Mains cord EU

STYLING 319

FRONT + TOP CONTROL



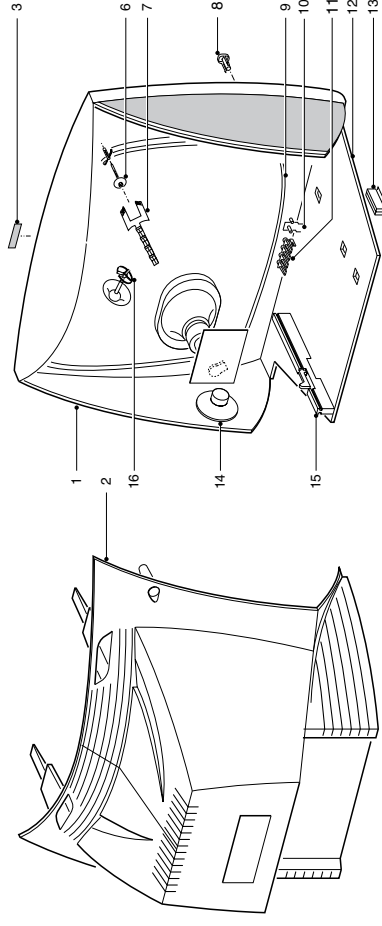
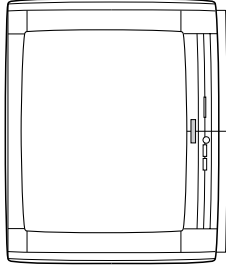
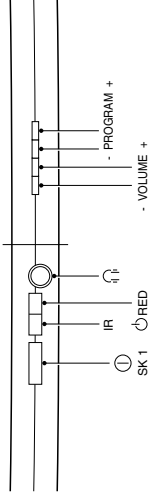
SIDE I/O



Styling 319, 319S
270001

1a*	3139 137 79311	Cabinet 28"
1b*	3139 137 93961	Cabinet 28"
2	3139 124 38331	Rear cover
3b*	3111 250 00731	Wordmark Philips
3a*	3111 250 00831	Wordmark red silver
4	4822 505 11195	CRT fixing screw
5	4822 403 70906	Degaussing coil bracket
6	4822 157 11762	Degaussing coil 28"
7b*	3139 137 90621	Control knob
8b*	3139 137 90631	Mains knob
9	4822 404 31291	Mains cord relief
10	Not applicable	
11	3139 124 37781	Light guide
12	3139 124 37661	Side AV bracket
13	Not applicable	
14	Not applicable	
15	2422 264 00434	Loudspeaker 8Ω 10W
16	3139 124 30881	Chassis guide
17	4822 401 11765	Coil & EHT clamp
*a	4822 131 11045	Picture tube A66EAK071X11
*b	4822 131 20559	Picture tube A66EAK652X11
	4822 321 11499	Mains cord EU

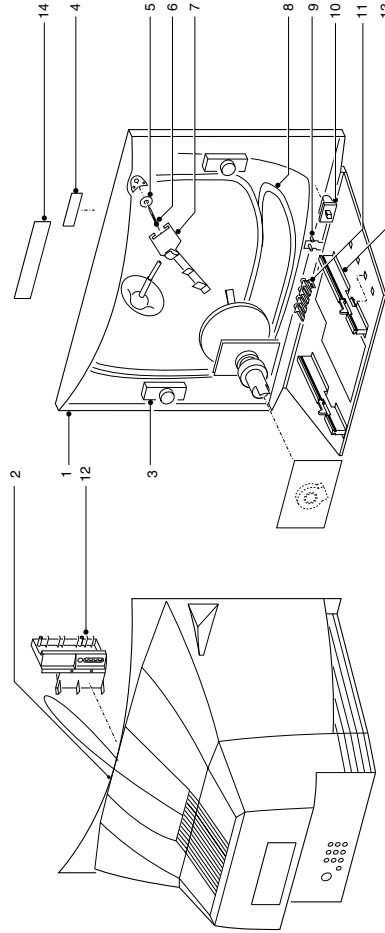
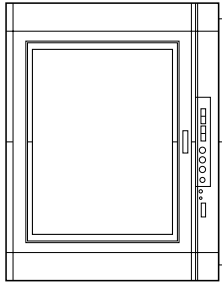
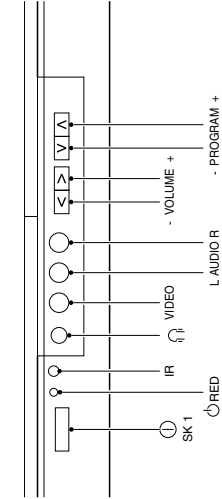
STYLING 320



Styling 320, 320S
270001

1	3139 137 85731	Cabinet 28"
2	3139 124 38491	Rear cover 28"
3	3111 250 00201	Wordmark
6	4822 505 11195	CRT fixing screw
7	4822 403 70906	Degaussing coil bracket
8	3139 137 90651	Mains knob
9	4822 157 11762	Degaussing coil 28"
10	3139 124 37111	Light guide
11	3139 137 90661	Control knob
12	Not applicable	
13	4822 404 31291	Mains cord relief
14	2422 264 00414	Loudspeaker 8Ω 5W
15	3139 124 30881	Chassis guide
16	4822 401 11765	Coil & EHT clamp
	4822 131 11045	Picture tube A66EAK071X11
a*	9322 157 16682	Picture tube A66EMZ43X07
	4822 321 11499	Mains cord EU
*a	28FT2665/20/21/48	

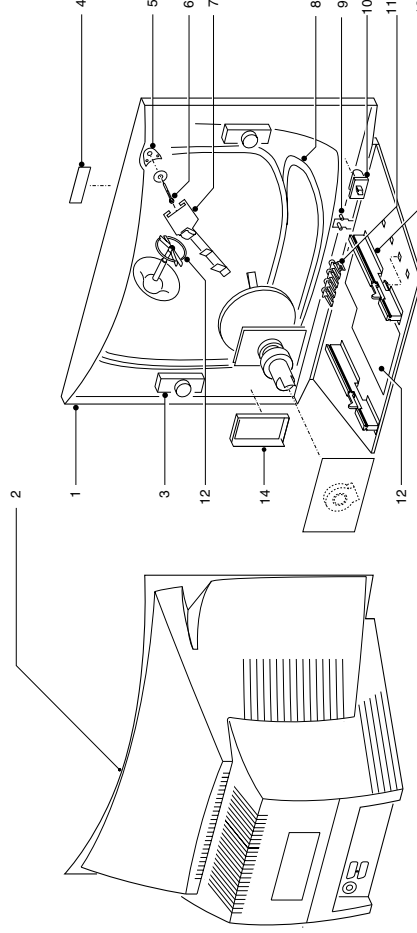
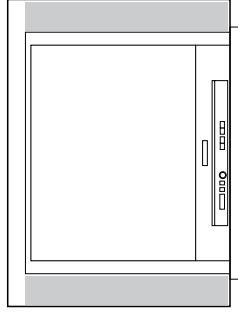
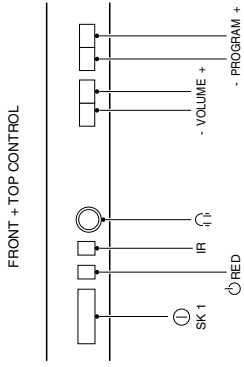
STYLING 321



Styling 321 Rev 2/20/81

1	313913779011	Cabinet
2	313912438061	Rear cover
3	242226400419	Loudspeaker 16Ω 5W
4	313912001451	Wordmark 14"
5	Not applicable	
6	313912041141	Screw / washer
7	313912421802	Coil clamp
8	313912823151	Degaussing coil 14"
9	313912434321	Light guide
10	313913779101	Mains knob
11	313913779111	Control knob
12	Not applicable	
13	313912434091	Chassis guide (VO)
14	313912434351	Cinch door
	932216343682	Picture tube 15" A36QDT351X01

STYLING 326

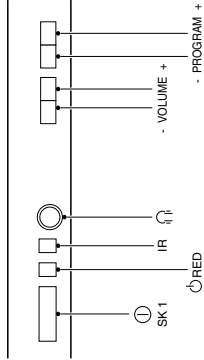


Styling 326 Rev 2/20/81

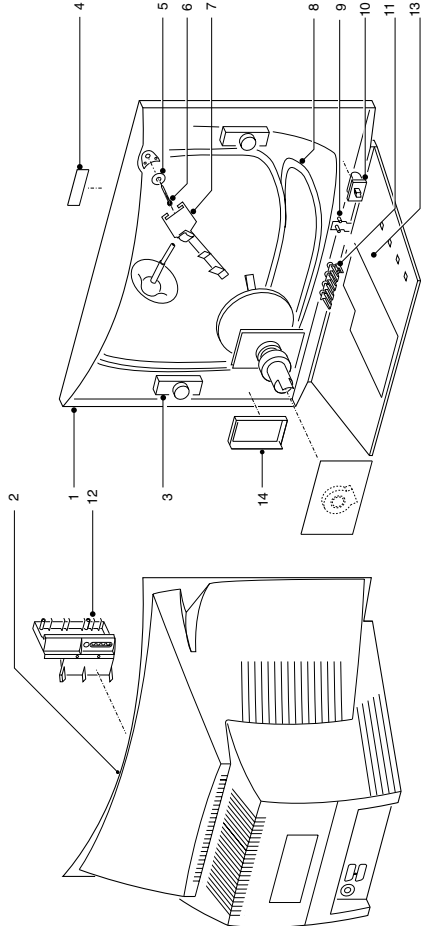
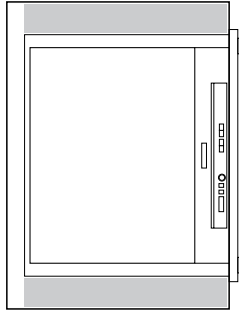
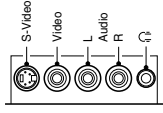
1	3139 137 73671	Cabinet 25"
2	3139 137 80621	Rear cover 25"
3	2422 264 00411	Loudspeaker 16Ω 5W
4	Not applicable	
5	3139 124 23861	Tube spacer
6	4822 505 11195	CRT fixing screw
7	4822 404 31434	Degaussing coil bracket
8	3139 128 76341	Degaussing coil 25"
9	3139 124 32221	Light guide
10	3139 137 94231	Mains knob
11	3139 137 94241	Control knob
12	4822 401 11765	EHT & degaussing coil clamp
13	4822 463 11226	Chassis guide (VO)
14	3139 124 39111	Slide AV bracket
	9322 163 87682	Picture tube 25" A59QDF891X001

STYLING 328

FRONT + TOP CONTROL



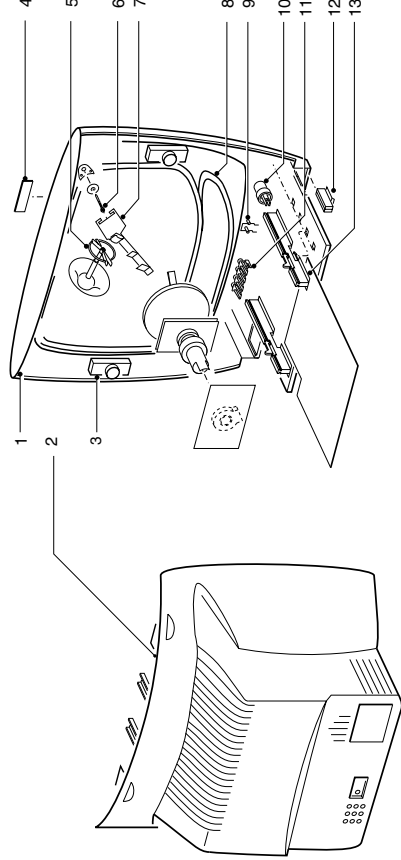
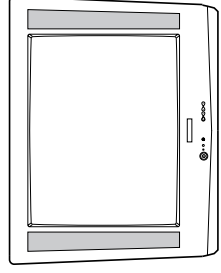
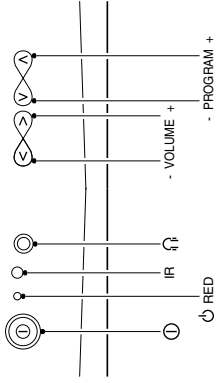
SIDE I/O



1	3139 137 87451	Cabinet
2	3139 124 37231	Rear cover
3	2422 264 00442	Loudspeaker 8Ω 5W
4	3141 050 00161	Wordmark Philips
5	Not applicable	
6	3104 308 77012	CRT fixing screw
7	3139 124 31122	Degaussing coil bracket
8	3139 128 23781	Degaussing coil 29"
9	3139 124 30411	Light guide
10	3139 124 36331	Mains knob
11	3139 124 36311	Control knob
12	3139 124 33611	Side AV bracket
13	3139 124 33531	Chassis tray
	9322 142 09682	Picture tube 29" A68QCP891X001

Styling 328 eps
240701

STYLING 329

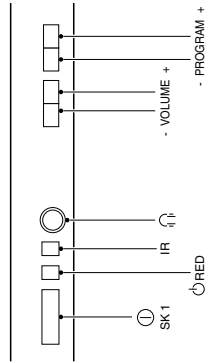


1	3139 137 78821	Cabinet 29"
2	3139 124 35131	Rear cover 29"
3	2422 264 00404	Loudspeaker 8Ω 6W
4	3139 120 01361	Wordmark (grey)
5	4822 532 61201	EHT Spacer
6	4822 505 11195	CRT fixing screw
7	4822 492 71627	Degaussing coil bracket
8	4822 157 11549	Degaussing coil 29" Multi-volt
8	4822 157 11551	Degaussing coil 29" Single-volt (79F)
9	4822 380 10251	Light guide
10	4822 410 11766	Mains knob
11	4822 410 11765	Control knob
12	4822 404 31363	Mains cord relief
13	4822 463 11225	Chassis guide (HB)
13	4822 463 11226	Chassis guide (VO)
	3139 128 75211	Mains cord
	3139 128 75230	Mains cord (79F)
	4822 131 20628	Picture tube 29" A68AJB82X01

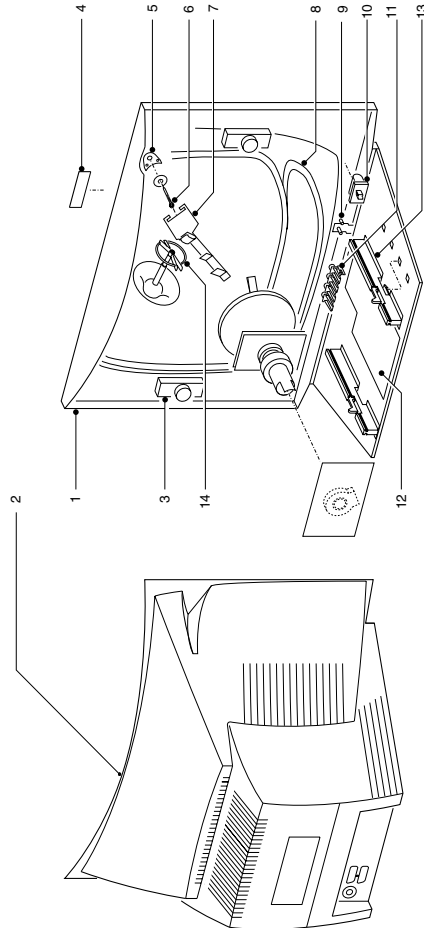
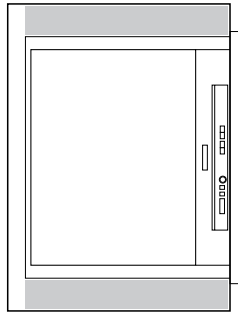
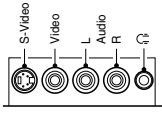
Styling 329 eps
040701

STYLING 330

FRONT + TOP CONTROL



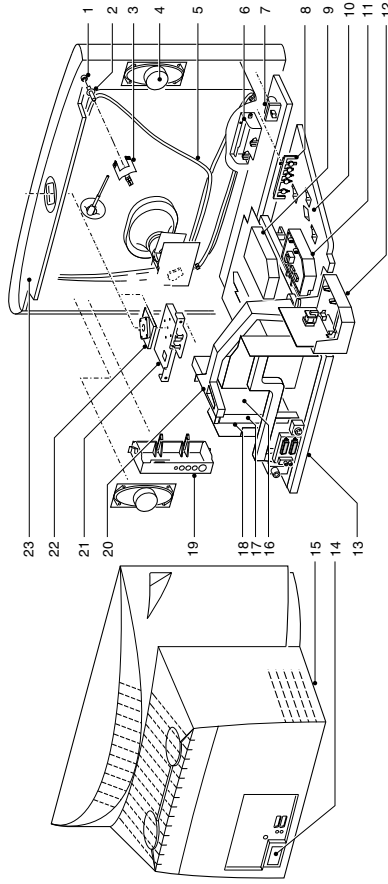
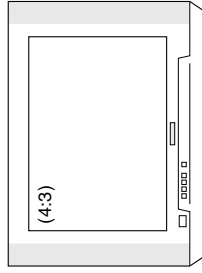
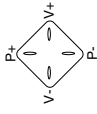
SIDE I/O



STYLING 330 PARTS LIST 040701

1	3139 137 79751	Cabinet 21"
2	3139 137 71381	Rear cover 21"
3	2422 264 00434	Loudspeaker 8Ω 10W
4	Not applicable	
5	3139 124 23861	Tube spacer
6	4822 505 11195	CRT fixing
7	4822 492 71627	Degaussing coil clamp
8	4822 157 11444	Degaussing coil 21"
9	3139 124 32221	Light guide
10	3139 137 83951	Mains knob
11	3139 137 84471	Control knob
12	3139 124 33341	VO plate
13	3139 124 30811	Chassis guide (VO)
14	4822 582 61201	EHT spacer
	3139 128 75211	Mains cord
	3139 128 75222	Mains cord UK (/57R)
	9322 153 82682	Picture tube 21" A51LSK955X01

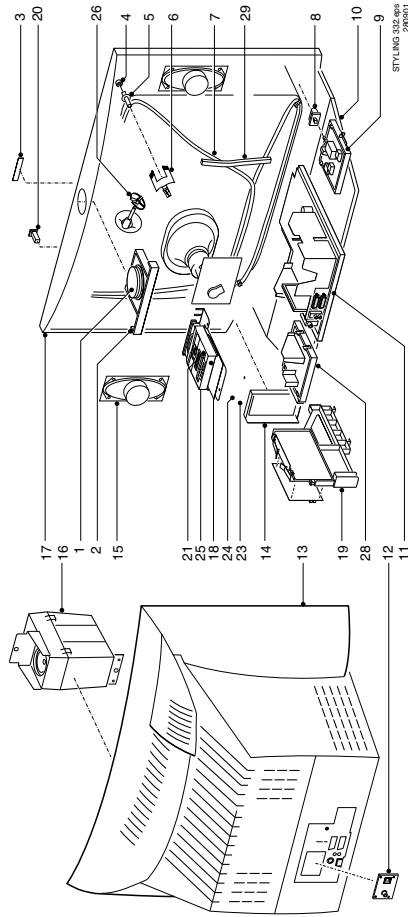
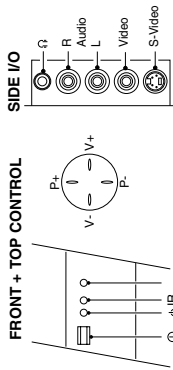
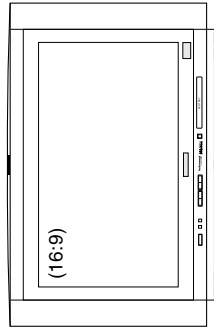
STYLING 331



STYLING 331 PARTS LIST 040701

1	Not applicable	CRT insert
2	4822 505 11195	CRT screw
3	3104 304 21092	Degaussing coil fixing bracket
4	3104 130 01231	Loudspeaker
5	2422 549 44621	Degaussing coil
6	3104 304 19685	Bracket mains unit
7a*	3104 307 95882	Mains knob silver
7b*	3104 307 96651	Mains knob soph. Black
7c*	3104 307 89101	Mains knob
8	3104 304 20801	Light guide
9	3104 304 22762	Cover for Mains Harmonic panel
10	3104 304 21275	Bottom plate
11	3104 304 22751	Bracket for Mains Harmonic panel
12	3104 304 23951	Bracket for DAF/DC-shift panel
13	3104 304 21304	Bracket for Large Signal panel
14	3104 304 24081	Service connector cover
15a*	3104 307 97411	Rear cover Assy
15b*	3104 307 97821	Rear cover Assy
16	3104 301 23963	SSB shielding (bottom cover)
17	3104 301 23942	SSB shielding (frame)
18	3104 301 23952	SSB shielding (top cover)
19	3104 304 20992	Bracket for Side I/O panel
20	3104 304 21114	Bracket for LOT/SSB
21a*	3104 304 19794	Bracket Top Control panel
21b*	4822 464 10475	Bracket Top Control panel
22a*	3104 304 21631	Top Control keypad
22b*	3104 304 22401	Top Control keypad
23a*	3104 328 15061	Cabinet Assy
23b*	3104 328 14581	Cabinet Assy
23c*	3104 328 18001	Cabinet Assy
a*	4822 454 13455	Wordmark silver
b*	3104 300 12161	Wordmark soph. Black
c*	4822 459 11155	Wordmark
a*	3104 300 12081	Matchline emblem
b*	3104 300 12121	Matchline emblem
	9301 831 70304	CRT
	4822 321 11499	Mains cord
	3104 304 20182	Mains cord holder
a	29PT9007/12 /19 /58	
b	29PT9047/12 /19 /58	
c	29PT8606/12	

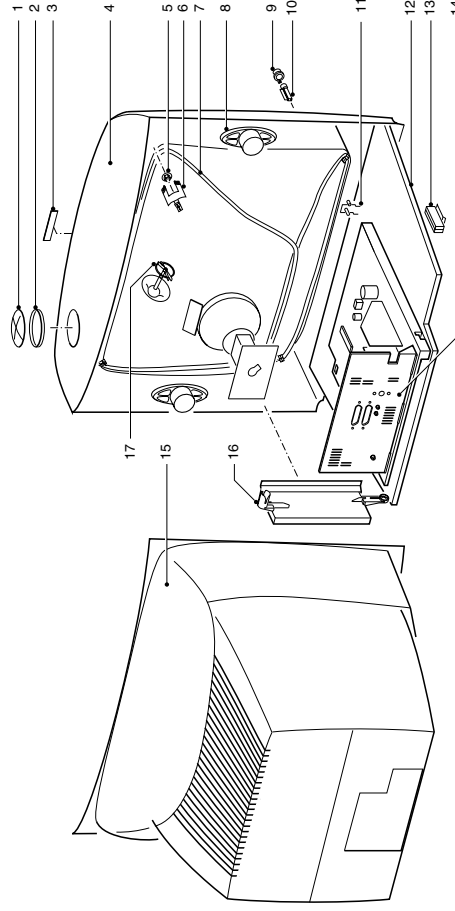
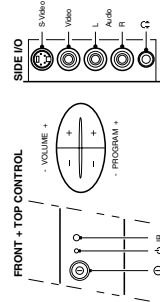
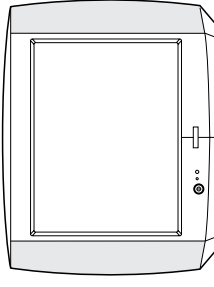
STYLING 332



STYLING 332-RPP
280911

1	313913766921	Top control button	26	311125423481	EHT & degaussing coil clamp
2	313912433941	Top control bracket	28	313912433152	Dolby prologic bracket
3	311125000811	Wordmark Philips	29	310430415291	Degaussing coil clamp
5	311125040031	CRT fixing screw		310430414414	Corner coil bracket
6	310430414713	Degaussing coil bracket		310430414765	Mains cord relief
7	2422 549 44244	Degaussing coil 32"		310430875701	V/O insulator ring
8	3139 124 33801	Mains knob		462200950481	Mains cord UK
9	3139 124 32521	Front interface bracket		462200950501	Mains cord EU
11	3139 124 32542	Chassis tray		930180090314	Picture tube 32"
12	3139 124 33361	SSB bracket		W76ERF001X013	Light guide
13a*	3111 257 57471	Rear cover		3139 124 33811	Mains harmonic bracket
13b*	3139 124 38801	Rear cover		3139 124 35291	
14	3139 124 31651	Side I/O bracket	*a	32PW6526	
15	242225720547	Loudspeaker 8Ω 15W	*b	32PW6826	
16	313912876372	Subwoofer			
17a*	3111 257 57461	Cabinet 32" DPL			
17b*	3139 137 99511	Cabinet 32" DVD/DPL			
18	3139 121 27061	DVD top shielding			
19	3139 124 33572	DVD interface bracket			
20	3139 124 33561	DVD eject knob			
21ab*	3139 137 99951	DVD door			
22	3111 254 25181	DVD loader bracket			
23	3111 251 20341	DVD bottom shielding			
24	3111 254 25191	DVD stopper			
25	3111 254 24921	DVD reader bracket			

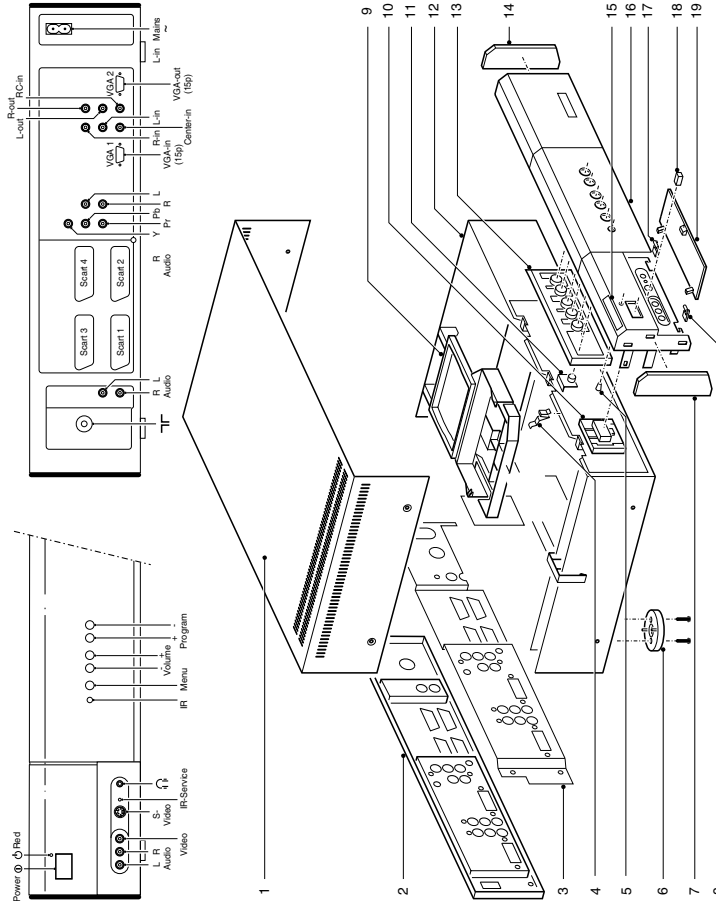
STYLING 333



STYLING 333-RPP
280911

1	3139 137 77561	Top control cover	6	4822 404 30945	Degaussing coil bracket
2	3139 124 26993	Top control bracket	6	4822 403 70906	Corner coil bracket
3	3111 250 00741	Wordmark 21"	7	2422 549 44669	Degaussing coil 21"
4	3139 137 87851	Cabinet 21"	8	2422 264 00404	Loudspeaker 8Ω 6W
5	4822 505 11195	CRT fixing screw	9	3139 137 87861	Mains knob
6	4822 404 30945	Degaussing coil bracket	11	4822 380 10238	Light guide
11	4822 380 10238	Light guide	12	3139 124 33541	Chassis tray
12	3139 124 33541	Chassis tray	13	4822 401 11764	Mains cord relief
13	4822 401 11764	Mains cord relief	14	3139 124 36741	Rear jack bracket
14	3139 124 36741	Rear jack bracket	15	3139 124 38151	Rear cover 21"
15	3139 124 38151	Rear cover 21"	16	3139 124 38161	Side I/O bracket
16	3139 124 38161	Side I/O bracket		4822 131 11175	Picture tube 21" A51EAL155X01
				4822 321 11175	Mains cord

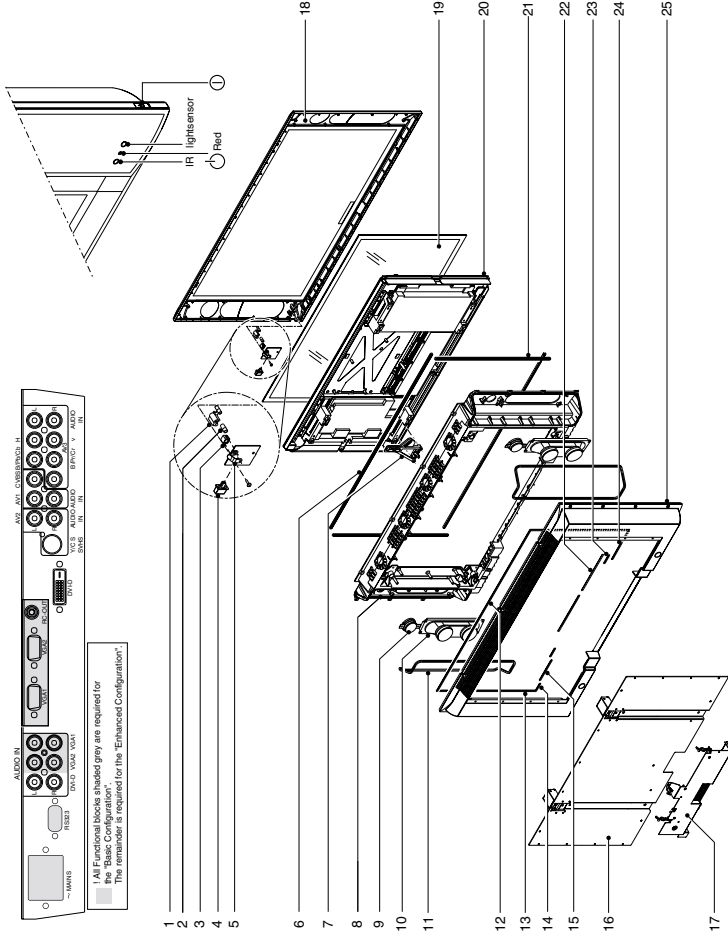
STYLING 334



1	3122 128 13411	Top cover
2	3122 128 13741	Connector plate
3	3122 121 35821	Shielding
4	3122 121 67141	Spring
5	3122 124 35861	Light guide
6	4822 462 11187	Foot
7	3122 128 13711	Side panel left
8	4822 417 11384	Hinge left
9	3122 124 35771	Bracket for FBX/DW
10	3122 128 13441	Mains knob
11	3122 124 35881	Window
12	3122 128 13451	Frame assy
13	3122 128 13731	Knob frame
14	3122 128 13721	Side panel right
15	3139 247 51831	Wordmark
16	3122 128 13421	Front
17	4822 417 11385	Hinge right
18	4822 417 50289	Lock
19	3122 128 13431	Door

STYLING 334 695
28001

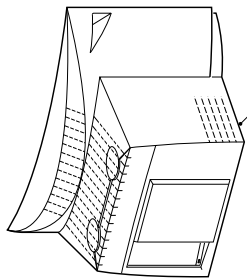
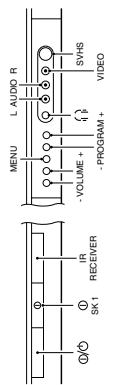
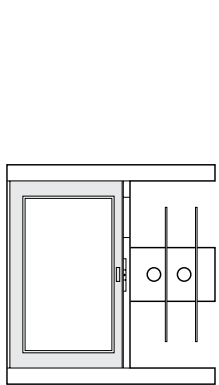
STYLING 335



1	3122 124 36071	1	3122 124 36071	1	3122 358 76211	EMC shielding foam short
2	3122 124 36271	2	3122 124 36271	2	3122 358 76191	EMC shielding foam bottom 3
3	3122 124 36081	3	3122 124 36081	3	3122 358 76181	EMC shielding foam bottom 2
4	3122 128 13901	4	3122 128 13901	4	3122 358 76171	EMC shielding foam bottom 1
5	3122 121 67251	5	3122 121 67251	5	3122 128 13871	Back display assy
6	3122 358 76201	6	3122 358 76201	6	9097 210 04055	Coloured frame Champagne
7	3122 124 36171	7	3122 124 36171	7	9097 210 04056	Coloured frame Blue
8	3122 128 13911	8	3122 128 13911	8	9097 210 04057	Coloured frame Green
9	2422 264 00432	9	2422 264 00432	9	9097 210 04058	Coloured frame Rouge
10	2422 264 00433	10	2422 264 00433	10	9097 210 04059	Coloured frame Unpainted
11	3122 358 76221	11	3122 358 76221	11	EMC shielding foam long	
12	3122 358 76151	12	3122 358 76151	12	EMC shielding foam top	
13	3122 357 76161	13	3122 357 76161	13	EMC shielding foam L-R	
14	3122 358 76251	14	3122 358 76251	14	EMC shielding foam bottom	
15	3122 358 76261	15	3122 358 76261	15	L1	
16	3122 128 13951	16	3122 128 13951	16	L2	
17	3122 128 13681	17	3122 128 13681	17	Metal back plate	
18	3122 357 21201	18	3122 357 21201	18	Connector plate	
19	3122 124 90781	19	3122 124 90781	19	Front assy	
20	9322 178 04682	20	9322 178 04682	20	Glass plate	
					Display	
					FPF92C106128UA-52	

STYLING 335 695
011001

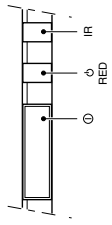
STYLING 336



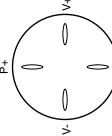
1	3104 307 96921	Door
2	3104 304 22621	Bracket front controls
3	3104 307 97791	Cover aluminium column right
4	3104 328 17201	Cabinet assy 32PW9556
4	3104 328 17212	Cabinet assy 32PW9566
4	3104 328 17222	Cabinet assy 32PW9576
5	9301 852 00301	Picture tube
5	W76ERF041X044	W76ERF041X044
6	3104 307 96931	Aluminium column right
7	3104 304 21114	LOT support bracket
8	3104 304 23001	Frame for LSP
8	3104 304 23041	Bracket for DAF/DC shift panel
10	3104 307 96891	Rear cover 32PW9556
10	3104 307 96901	Rear cover 32PW9566
10	3104 307 98231	Rear cover 32PW9576
11	3104 308 70381	Locking unit
12	3104 308 78011	Damped hinge
13	3104 304 22661	Knob frame controls
14	3104 304 22671	Window right
15	3104 307 96911	Mains knob
16	3104 304 22681	Window left
17	3104 304 22601	Support for mains switch
18	Not applicable	
19	3104 304 90371	Glass plate 32PW9556
19	3104 304 90381	Glass plate 32PW9566
19	3104 304 90391	Glass plate 32PW9576
20	3104 307 97801	Cover aluminium column left
21	3104 301 62111	Pin fix aluminium columns
22	4822 502 21359	CRT screw
23	4822 404 31294	CRT fixation VP19100
24	4822 404 31289	Bracket fix degaussing coil (2x)
24	4822 403 70506	Bracket fix degaussing coil (2x)
25	3104 311 03272	EHT cable
26	2422 549 44244	Degaussing coil
27	3104 307 96941	Aluminium column left
28	2422 264 00386	Loudspeaker
29	3104 304 22012	Bottom plate
30	9965 000 07349	Top plate stand
31	4822 402 11183	Screw for stand assy
32	3104 308 78041	Steel clip
33	9965 000 07348	Back column part 1 shelf
34	9965 000 07391	Back column part 2 shelf
35	3104 304 22691	Foot right
35	3104 304 22701	Foot left
36	9965 000 07390	Back column part 1 shelf
36	9965 000 07393	Back column part 2 shelf
37	9965 000 07389	Glass plate
38	9965 000 07394	Back column part 2 shelf
	3104 308 78021	Rear leg stand assy
	3104 308 78031	Rear leg stand assy -/05/19
	4822 009 50772	Mains cord
	4822 009 50782	Mains cord for -/05/57
	3104 328 14471	Mains cord for -/79
	3104 300 12171	Wordmark 32PW9556
	3104 300 12181	Wordmark 32PW9566
	3104 300 12211	Wordmark 32PW9576
	3104 308 77981	Focus cable
	4822 157 11825	Rotation coil
	3104 207 09561	Remote control RC2031/01B
	3104 300 12121	Matchline emblem
	3104 300 12171	Philips emblem 32PW9556
	3104 300 12181	Philips emblem 32PW9566
	3104 300 12211	Philips emblem 32PW9576
	3104 300 20181	Adapter EURO to Cinch/S-VHS for -/57/69/79
	3104 300 20191	Adapter EURO to 3 x Cinch for -/57/69/79

STYLING 338

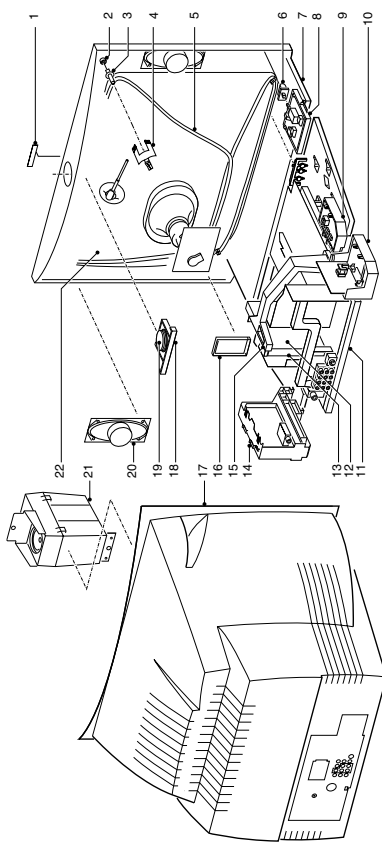
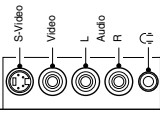
FRONT CONTROL



TOP CONTROL



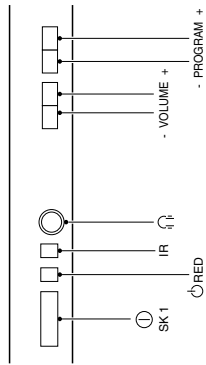
SIDE I/O



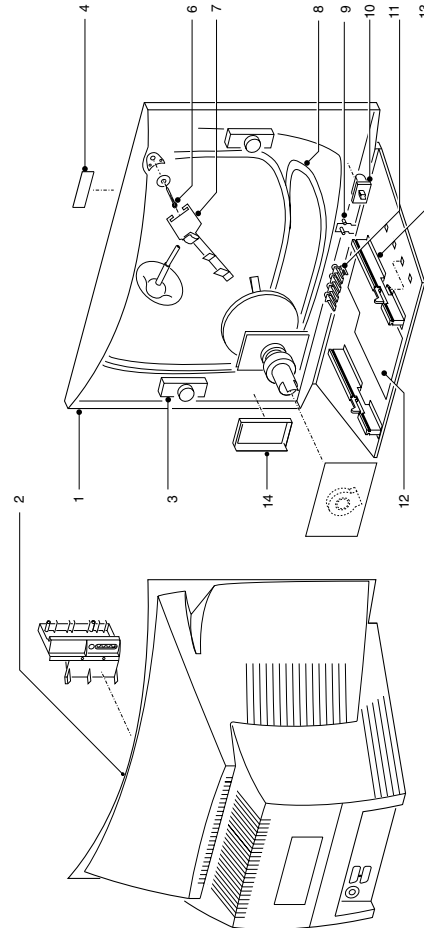
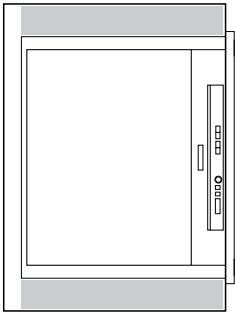
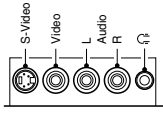
1	3141 050 00151	Wordmark
2	Not applicable	CRT insert
3	4822 502 14602	CRT screw
4	3139 124 32811	Degaussing coil bracket
5	2422 549 44676	Degaussing coil
5hijk*	8204 000 74682	Degaussing coil
6	3104 307 96741	Mains knob assy
6*	3104 307 97651	Mains knob assy
7	3104 328 13001	Cabinet assy
7*	3104 328 13021	Cabinet assy
7h*	3104 328 13011	Cabinet assy
7i*	3104 328 15301	Cabinet assy
7k*	3104 328 13031	Cabinet assy
8	3141 054 22091	Bracket for mains switch panel
8*	3139 124 32891	Bracket for mains switch panel
8hijk*	3139 124 32521	Bracket for mains switch panel
9aeihijk*	3139 124 33211	Bracket for Mains Harmonic panel
10	3104 304 21652	Bracket for DAF/DC-shift panel
11	3104 304 22832	Bracket for Large Signal Panel
12	3104 301 24011	Shielding SSB (bottom cover)
12fhijk*	3104 301 24051	Shielding SSB (bottom cover)
13	3104 301 24002	Shielding SSB (top cover)
14abcjdj*	3104 304 22073	Bracket for PIP/Multivoltage panel
14*	3104 304 22431	Bracket for PIP/DW panel
14hik*	3104 304 23801	Bracket for PIP
15	3104 304 21114	Bracket for LOT/SSB
16	3139 124 36361	Bracket for Side I/O panel
17	3104 328 13041	Rear cover assy
17*	3104 304 22931	Rear cover assy
17hi*	3104 328 13051	Rear cover assy
17i*	3104 304 23941	Rear cover assy
17k*	3104 304 23861	Rear cover assy
18	3139 178 60641	Top Control keypad assy
19	3104 307 97181	Top Control keypad assy
20hijk*	3139 128 76061	Loudspeaker assy
20	2422 264 00377	Loudspeaker assy
21	9099 291 10017	Subwoofer assy
22	8204 000 74831	Picture tube A80EJX011X129
22*	4622 007 51852	Mains cord
22e*	2122 070 98131	Mains cord
22ac*	4822 321 11499	Mains cord
22d*	4622 004 50191	Mains cord
22f*	3104 328 16451	Mains cord
22h*	3139 128 75251	Mains cord
22i*	3139 128 75291	Mains cord
22j*	3139 128 75672	Mains cord
22k*	3139 128 75261	Mains cord
22l*	3106 104 24932	Mains cord holder
22m*	3139 124 30411	Light guide
22n*	3139 124 30541	Mains knob shaft
22o*	3139 124 32791	Mains knob shaft
22p*	3128 138 60641	Rotation coil
22q*	3104 304 21321	Cover plate YPbPr
22r*	34PT8419/56R	
22s*	34PT8419/57R	
22t*	34PT8419/69R	
22u*	34PT8419/79R	
22v*	34PT8419/93R	
22w*	32PT8419/17	
22x*	34PT8419/61R	
22y*	34PT8419/71R	
22z*	34PT8419/77	
22aa*	34PT8419/78	

STYLING 339

FRONT + TOP CONTROL



SIDE I/O



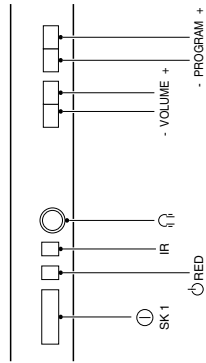
Styling 339 uses
182021

1	3139 137 96031	Cabinet 21"
2	3139 124 34951	Rear cover 21"
3	2422 264 00409	Loudspeaker 8Ω 5W
4	3111 250 00911	Wordmark (silver shadow)
5	4822 404 31291	Mains cord relief
6	4822 505 11195	CRT fixing screw
7	3139 124 33472	Degaussing coil bracket
8	2422 549 44669	Degaussing coil 21"
9	3139 124 32221	Light guide
10	3139 137 93691	Mains knob
11	3139 137 93771	Control knob
12	3139 124 33341	VO plate
13	3139 124 36231	Chassis guide (VO)
14a*	3139 124 37671	Side I/O bracket 21SDRF (HP+3P)
14b*	3139 124 32241	Side I/O bracket 21WDRF (HP+3AV)
	9301 866 80342	Picture tube A51ERF135X72
	4822 321 11499	Mains cord EU
	4822 321 11493	Mains cord UK

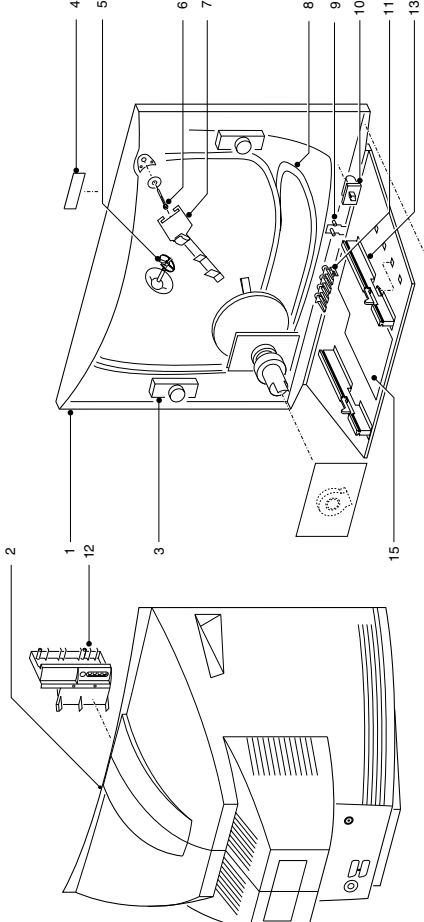
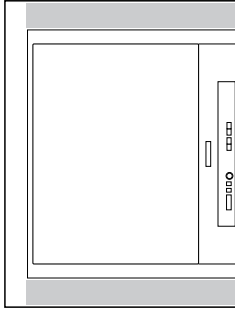
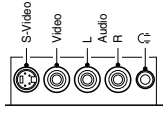
*a 21PT5407/05
*b 21PT5407/58

STYLING 340

FRONT + TOP CONTROL



SIDE I/O

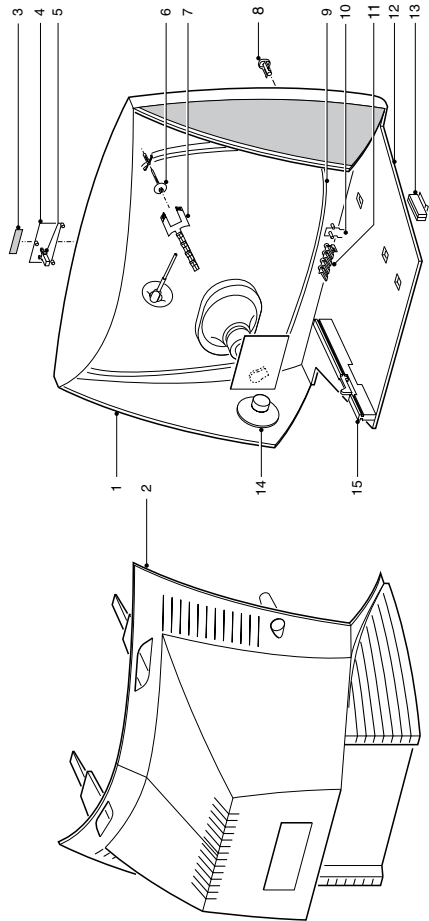
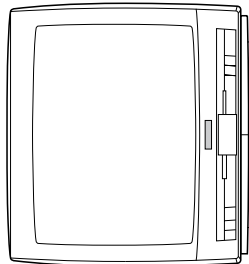
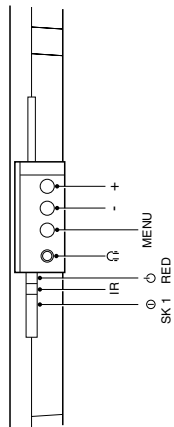


Styling 340 uses
182021

1	3139 137 79991	Cabinet 21"
2	3139 124 34391	Back cover 21"
3	2422 264 00411	Loudspeaker 16Ω 5W
4	3111 250 00841	Wordmark (red silver)
5	3111 254 23481	Coil & EHT clamp
6	3139 120 41391	CRT fixing screw
7	4822 404 30945	Degaussing coil bracket
8	2422 549 44669	Degaussing coil
9	3139 124 34401	Light guide
10	3139 137 91341	Mains knob
11	3139 137 91331	Control knob
12	3139 124 37661	Side AV bracket (3P+HP)
13	3139 124 30871	Chassis guide
14	4822 404 31291	Mains cord relief
15	3139 124 33291	VO plate
	4822 321 11499	Mains cord EU
	4822 321 11493	Mains cord UK
	4822 131 11105	Picture A51EAL155X47
	3139 128 76381	FM aerial
	3111 257 71451	Stand (silver)

bc* 21PT4457/01
b* 21PT4457/05
*a 21PT4457/05
*c 21PT4457/58

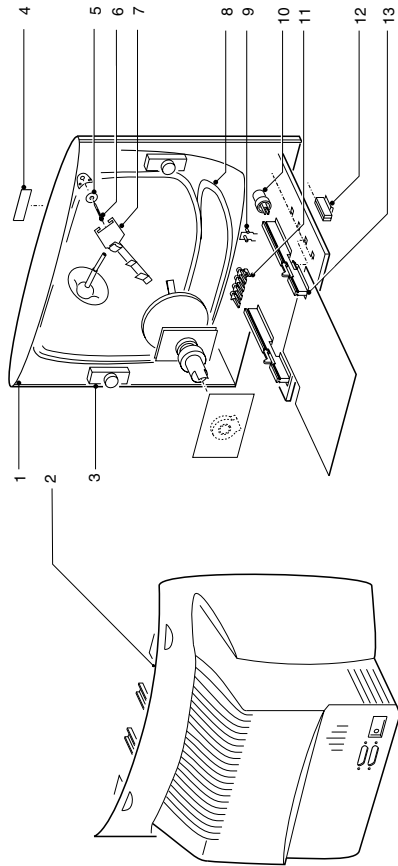
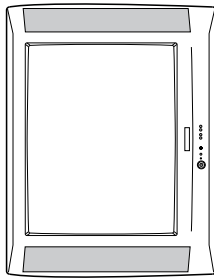
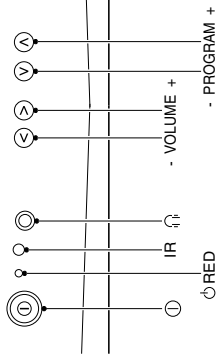
STYLING 341



STYLING 341
197201

1	3139 137 85091	Cabinet (HP+3AV)
2	3139 124 36421	Rear cover (2SCRTS)
3	3111 250 00051	Wordmark Philips
4	3139 137 85081	Door
5	Not applicable	
6	4822 502 14508	CRT fixing screw
7	4822 404 30945	Degaussing coil bracket
7	4822 401 11765	Coil & THT clampacket
8	3139 137 76451	Mains knob
9	2422 549 44669	Degaussing coil 21"
10	3139 124 32301	Light guide
11	3139 137 76461	Control knob
12	3139 124 33291	Plate VO
13	4822 404 31291	Mains cord holder
14	2422 264 00398	Speaker 16Ω 5W
15	3139 124 30871	Chassis guide (VO)
	4822 131 11105	Picture Tube 21" A51EAL155X47
	4822 321 11499	Mains cord EU
	4822 321 11493	Mains cord UK
	21PT4406	

STYLING 342

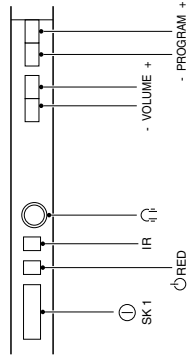


STYLING 342
197201

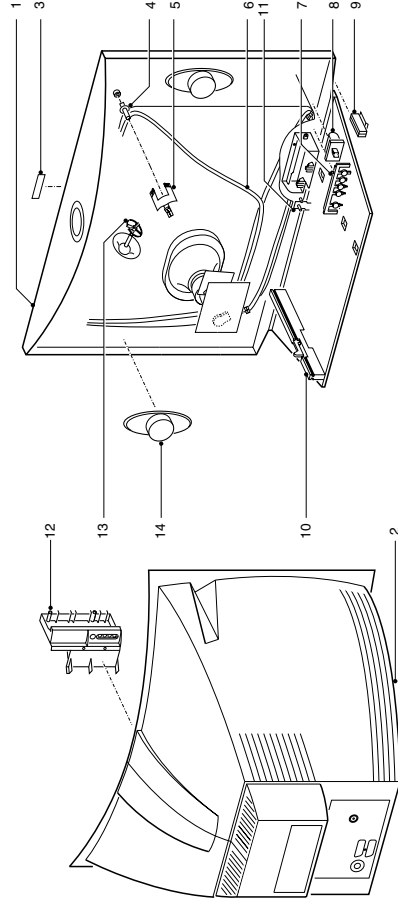
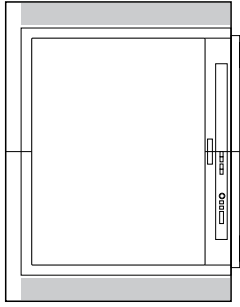
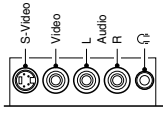
1	3139 137 99331	Cabinet 25"
2	3139 124 41341	Back Cover 25" (1 scart)
3	2422 264 00401	Loudspeaker 16Ω 5W
4	3111 250 00201	Wordmark PHILIPS 25"
5	Not applicable	
6	4822 505 11195	CRT fixing screw
7	4822 401 11765	Degaussing coil bracket
7	4822 403 70906	Corner coil bracket
8	2422 549 44253	Degaussing coil 25"
9	4822 380 10251	Light guide
10	3139 124 30581	Mains knob green
11	3139 124 27061	Control knob
12	4822 404 31291	Mains cord relief 25"
13	3139 124 30871	Chassis guide right (HB)
	3139 124 30881	Chassis guide left (VO)
	4822 321 11493	Mains cord UK
	4822 321 11499	Mains cord EU
	4822 404 31363	Mains cord holder
	9322 147 09682	Picture tube A59EMZ43X07

STYLING 343

FRONT + TOP CONTROL



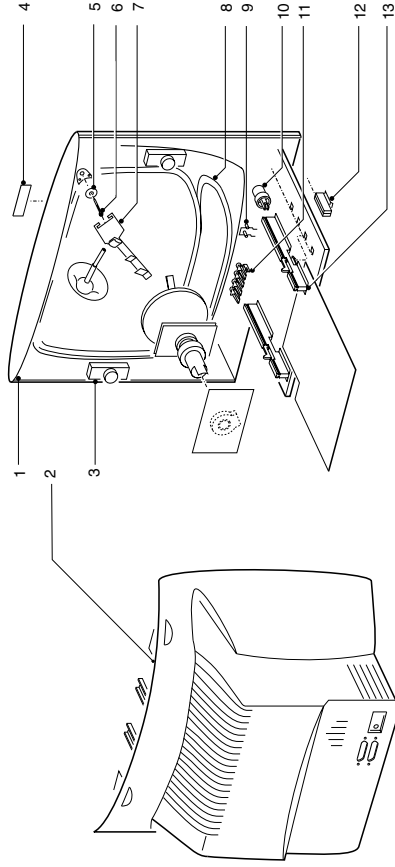
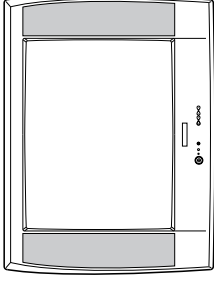
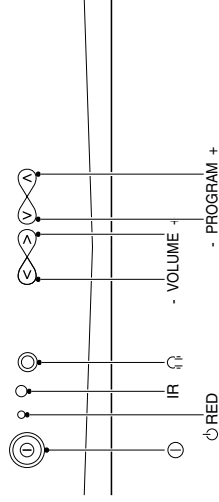
SIDE I/O



STYLING 343 4665
181201

1a*	3139 137 79801	Cabinet 25"
1b*	313913816301	Cabinet 25" Philips
2a*	313912435671	Back cover (w.grey)
2b*	313912437861	Back cover Philips
3a*	3111 250 00831	Wordmark (red silver)
3b*	311125000271	Wordmark Aristona
4	4822 505 11195	CRT fixing screw
5	4822 403 70906	Degaussing coil bracket
6	2422 549 44253	Degaussing coil 25"
7	3139 137 93871	Control knob
8	3139 137 93861	Mains knob
9	4822 404 31291	Mains cord relief
10	3139 124 30881	Chassis guide
11	3139 124 35681	Light guide
12a*	3139 124 37661	Side AV bracket
12b*	313912435751	Side AV bracket
13	4822 401 11765	Coil & EHT clamp
14	242226400409	Loudspeaker 8Ω 5W
	3139 128 76381	FM aerial adaptor
	3139 137 23671	FM radio wire
a*	4822 321 11499	Mains cord EU
b*	4822 131 11184	Picture tube A59EAK071X11
	4822 131 20568	Picture tube A59EAK652X11
*a	25PT4457	
*b	63TA5216	

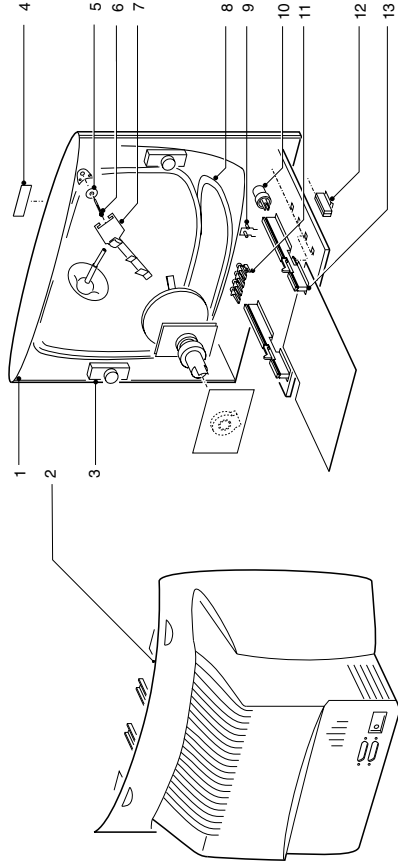
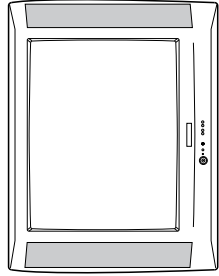
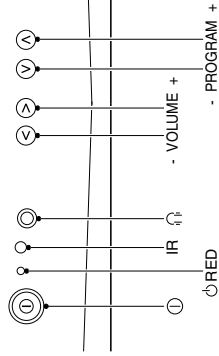
STYLING 344



STYLING 344 4665
181201

1	313913799301	Cabinet
2	313912438761	Rear cover
3	242226400401	Loudspeaker 16Ω 5W
4	312222000232	Wordmark Radiola
5	Not applicable	
6	482250511195	CRT fixing screw
7	482240370906	Corner coil bracket
8	482240111765	Coil & THT clamp
9	4822 157 11762	Degaussing coil 28"
10	4822 380 10251	Light guide
11	3139 124 30581	Mains knob
12	4822 410 12433	Control knob
13	4822 404 31363	Mains cord relief
	3139 124 30871	Chassis guide right (HE)
	3139 124 30881	Chassis guide left (VO)
	4822 321 11493	Mains cord UK
	4822 321 11499	Mains cord EU
	4822 402 10844	PCB relief bracket
	4822 403 70906	Corner coil bracket
	4822 131 11045	Picture tube 28" A66EAK071X11

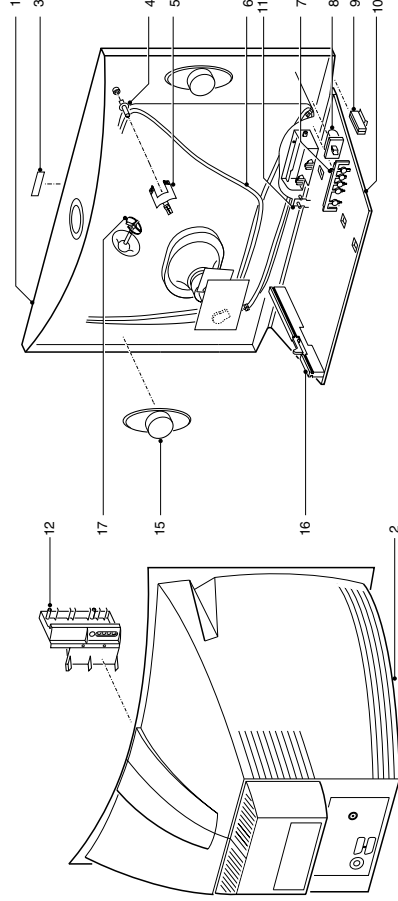
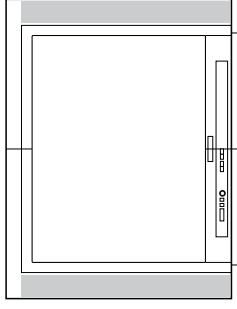
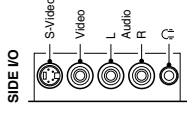
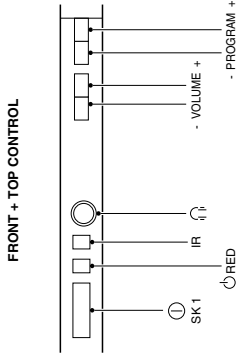
STYLING 345



Styling 345.jpg
18.03.01

1	3139 138 12981	Cabinet 28"
2	3139 124 38761	Rear cover 28"
3	2422 264 00401	Loudspeaker 16Ω 5W
4	3111 250 00731	Wordmark Philips
5	Not applicable	
6	4822 505 11195	CRT fixing screw
7	4822 401 11765	Coil & THT clamp
7	4822 403 70906	Corner coil bracket
8	4822 157 11762	Degaussing coil 28"
9	4822 380 10251	Light guide
10	3139 124 30581	Mains knob
11	4822 410 12433	Control knob
12	4822 404 31363	Mains cord relief
13	3139 124 30871	Chassis guide right (HB)
13	3139 124 30881	Chassis guide left (VO)
	4822 131 11045	Picture tube A66EAK071X11
	4822 321 11493	Mains cord UK
	4822 321 11499	Mains cord EU

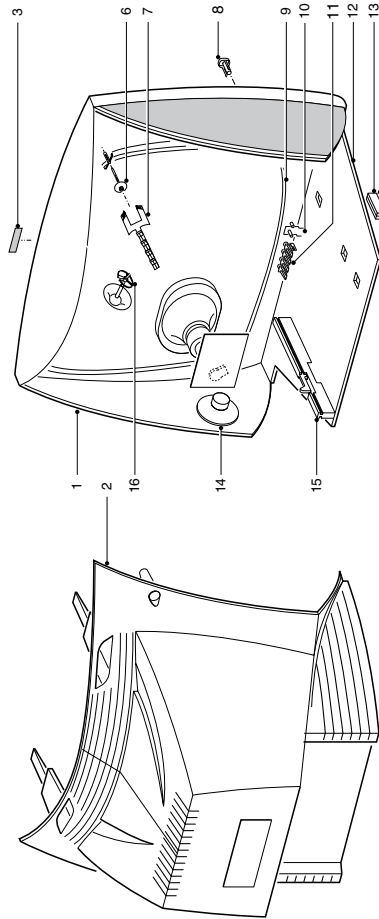
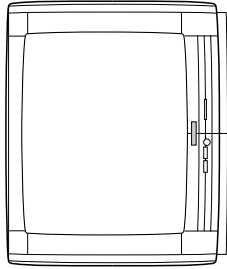
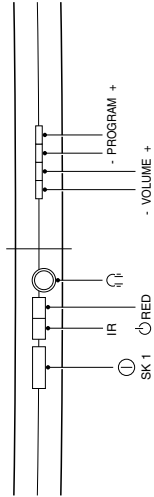
STYLING 346



Styling 346.jpg
18.03.01

1a*	3139 137 79311	Cabinet 28"	3139 137 93311	Cabinet 28"
1b*	3139 137 93961	Cabinet 28"	3139 137 93961	Cabinet 28"
2	3139 138 12361	Rear cover 28"	3139 138 12361	Rear cover 28"
3a*	3111 250 00831	Wordmark (red silver)	3111 250 00831	Wordmark (red silver)
3b*	3111 250 00731	Wordmark Philips	3111 250 00731	Wordmark Philips
4	4822 505 11195	CRT fixing screw	4822 505 11195	CRT fixing screw
5	4822 403 70906	Corner coil bracket	4822 403 70906	Corner coil bracket
5	4822 401 11765	Coil & THT clamp	4822 401 11765	Coil & THT clamp
5	4822 403 70906	Degaussing coil bracket	4822 403 70906	Degaussing coil bracket
6	4822 157 11762	Degaussing coil 28"	4822 157 11762	Degaussing coil 28"
7	3139 137 90621	Control knob	3139 137 90621	Control knob
8	3139 137 90631	Mains knob	3139 137 90631	Mains knob
9	4822 404 31291	Mains cord relief	4822 404 31291	Mains cord relief
10	Not applicable		Not applicable	
11	3139 124 37781	Light guide	3139 124 37781	Light guide
12	3139 124 37661	Side AV bracket	3139 124 37661	Side AV bracket
13	Not applicable		Not applicable	
14	Not applicable		Not applicable	
15	2422 264 00409	Loudspeaker	2422 264 00409	Loudspeaker
16	3139 124 30881	Chassis guide	3139 124 30881	Chassis guide
17	4822 401 11765	Coil & EHT clamp	4822 401 11765	Coil & EHT clamp
	3111 257 71441	Stand (silver) UK only	3111 257 71441	Stand (silver) UK only
	3139 128 76381	FM aerial	3139 128 76381	FM aerial
	4822 321 11483	Mains cord UK	4822 321 11483	Mains cord UK
	4822 321 11499	Mains cord EU	4822 321 11499	Mains cord EU
a*	9301 731 00346	Picture tube A66EAK071X21	9301 731 00346	Picture tube A66EAK071X21
b*	9301 211 10346	Picture tube A66EAK552X21	9301 211 10346	Picture tube A66EAK552X21
*a	28PT4457		28PT4457	
*b	28PT15107		28PT15107	

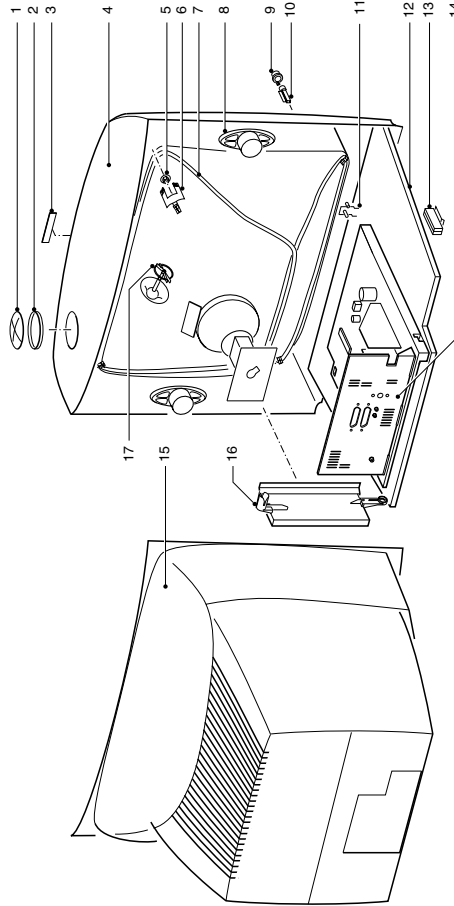
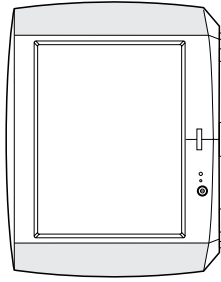
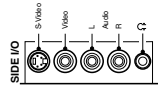
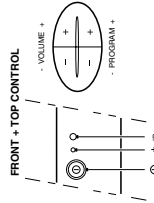
STYLING 347



STYLING 347
161021

1	3139 137 85731	Cabinet 28"
2	3139 124 36241	Rear cover 28"
3	3111 250 00201	Wordmark
4	Not applicable	
5	Not applicable	
6	4822 505 11195	CRT fixing screw
7	4822 403 70906	Degaussing coil bracket
8	3139 137 90651	Mains knob
9	4822 157 11762	Degaussing coil 28"
10	3139 124 37111	Light guide
11	3139 137 90661	Control knob
12	Not applicable	
13	4822 404 31291	Mains cord relief
14	2422 264 00398	Loudspeaker 16Ω 5W
15	3139 124 30881	Chassis guide (VO)
16	4822 401 11765	Coil & EHT clamp
	4822 321 11499	Mains cord EU
	4822 131 11045	Picture tube A66EAK071X11

STYLING 348



STYLING 348
161021

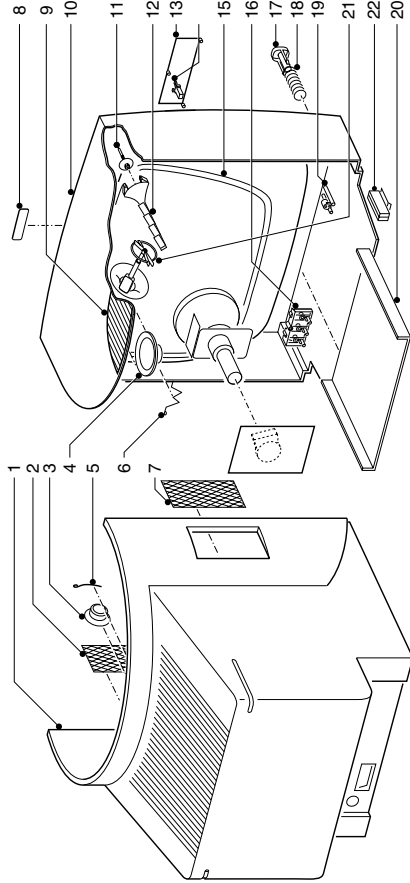
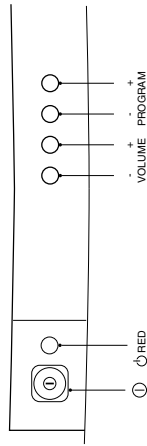
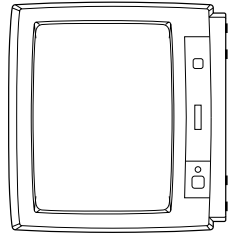
1	3139 137 77561	Top control cover
2	3139 124 26993	Top control bracket
3a*	4822 454 13455	Wordmark Philips
3b*	3111 250 00271	Wordmark Aristona
3c*	3111 250 00261	Wordmark SBR
4a*	3139 137 88031	Cabinet 29"
4b*	3139 138 16291	Cabinet 29"
5	4822 502 14602	CRT fixing screw
6	3111 254 20522	Degaussing coil bracket
7	2422 549 44562	Degaussing coil
8	2422 264 00404	Loudspeaker 8Ω 6W
9+10	3139 137 75631	Mains knob
11	4822 380 10238	Light guide
12	3139 124 33541	Chassis tray
13	4822 401 11764	Mains cord relief
14a*	3139 124 36741	Jack panel
14b*	3139 124 41671	Jack panel
15a*	3139 124 38101	Rear cover 29"
15b*	3139 124 41681	Rear cover 29"
16	3139 124 38121	Side AV bracket
17	4822 401 11765	COIL & EHT clamp
	4822 321 11139	Mains cord EU
	3139 128 76381	FM aerial
	9301 903 01347	Picture tube A68ESF002X113

*a 29FT5306/01

*b 72TA5306/03

*c 72TA5306/11

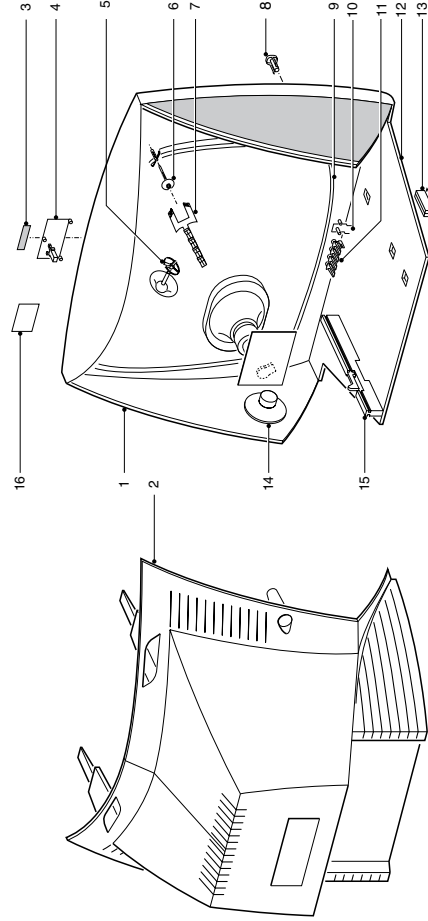
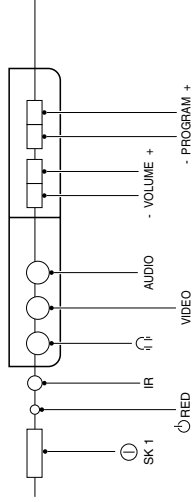
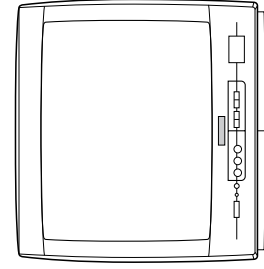
STYLING 349



STYLING 349 eps
181201

1	3111 254 25171	Rear cover
2	Not applicable	
3	Not applicable	
4	3111 254 10061	Loudspeaker grill
4	2422 264 00414	Loudspeaker 8Ω 5W
5	Not applicable	
6	Not applicable	
7	Not applicable	
8	3111 250 00941	Wordmark (silver shadow)
9	Not applicable	
10	3139 137 85581	Cabinet (HP+2AV)
11	4822 502 14508	CRT fixing screw
12	3119 104 18247	Degaussing coil bracket
13	Not applicable	
14	Not applicable	
15	2422 549 44843	Degaussing coil 17"
16	3111 254 09921	Control knob
17+18	3111 254 09911	Mains knob
19	4822 380 10281	Light guide
20	4822 463 11126	Chassis guide (HB)
20	4822 463 11125	Chassis guide (VO)
21	4822 401 11765	Coil & EHT clamp
22	4822 466 11453	Mains cord relief
	4822 321 11499	Mains cord
	3139 128 76381	FM aerial
	9301 835 40301	Picture tube A41EAM40X20

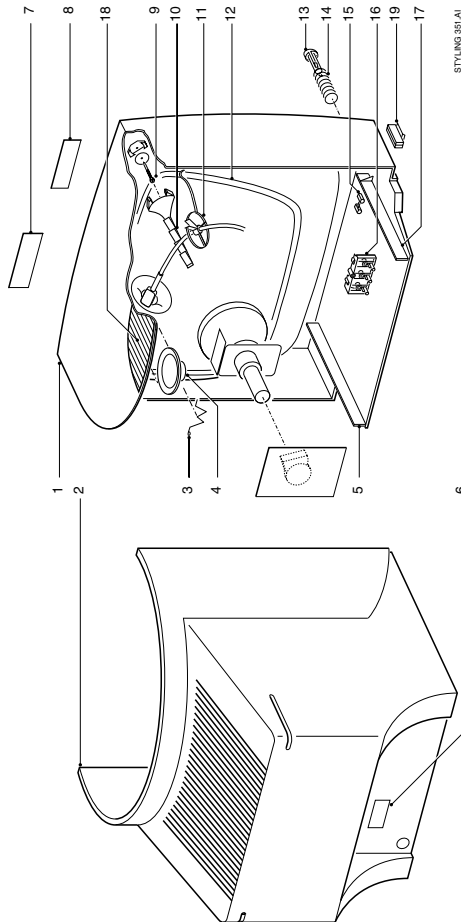
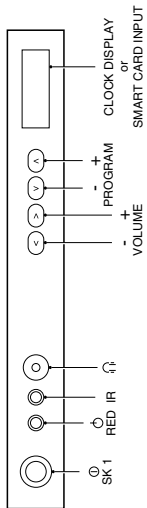
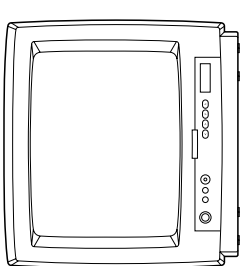
STYLING 350



STYLING 350 eps
181201

1	3111 257 57241	Cabinet
2	3139 137 92751	Rear cover
3	Not applicable	
4	Not applicable	
5	4822 401 11765	Coil & EHT clamp
6	4822 502 14508	CRT fixing screw
7	4822 404 31325	Degaussing coil bracket
8	3139 137 79221	Mains knob
9	2422 549 44844	Degaussing coil 14"
10	3111 254 25221	Light guide
11	3139 137 79231	Control knob
12	3139 124 34111	Bottom plate (VO)
13	4822 404 31291	Mains cord relief
14	2422 264 00412	Loudspeaker 8Ω 10W
15	3139 124 34091	Chassis guide (VO)
16a*	311125424951	Clock lens
16b*	311910717501	Clock lens
	4822 321 11499	Mains cord EU
	4822 321 11493	Mains cord UK
	9301 861 90301	CRT A34EAC01X113
*a	14HT3154	
*b	14HT3304	

STYLING 351

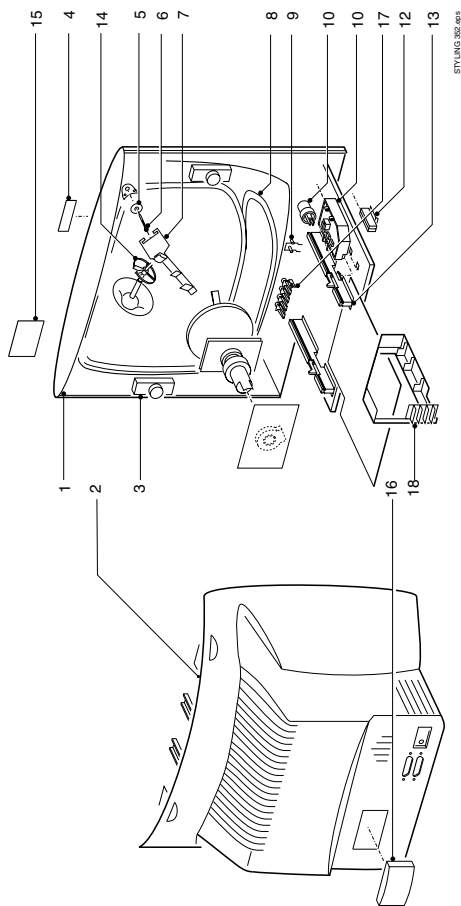
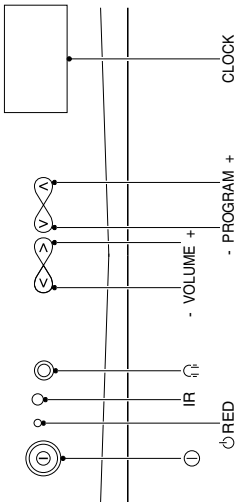


STYLING 351A1
181201

1	3111 257 57261	Cabinet 17"
2	3111 254 25021	Rear cover
3	Not applicable	
4	2422 264 00414	Loudspeaker 8Ω 5W
5	3139 124 23452	Chassis guide left
7a*	3119 104 27681	Clock lens
7b*	3119 107 05051	Clock lens
7c*	3119 107 05071	Clock lens
8	3111 250 00471	Wordmark
9	4822502 14508	CRT Fixing screw
10	3119 10418246	Degaussing coil bracket
11	3111 254 23481	Coil & EHT clamp
12	2422549 44843	Degaussing coil 17"
13	3111 254 09911	Mains knob silver
14	Not applicable	
15	4822 38010281	Light guide
16	3111 254 09921	Control knob silver
17	4822 463 11125	Chassis guide right
18	3111 25409891	Loudspeaker grill
19	3139 124 23843	Mains cord relief
	4822 321 11499	Mains cord EU
	4822 321 11493	Mains cord UK
	9301 835 40301	Picture tube A41EAM40X20

*a 17HT3154
*b 17HT3304
*c 17HT5404

STYLING 352

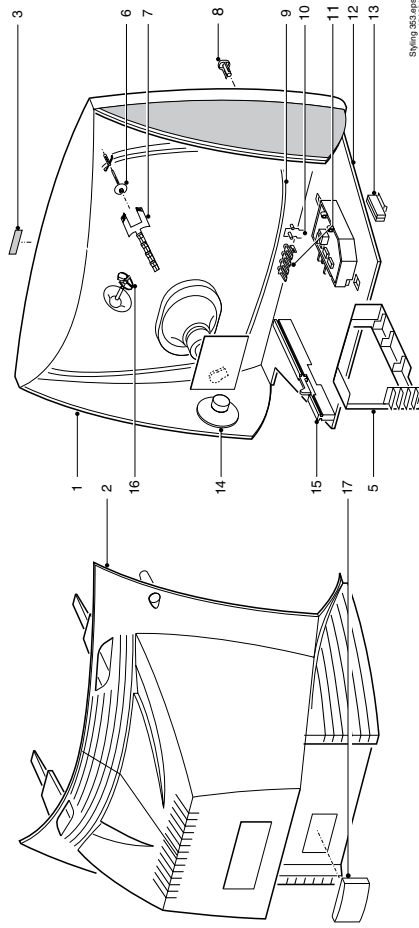
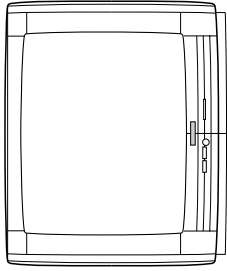
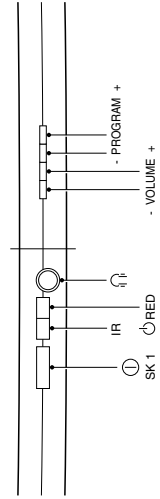


STYLING 352 A05
181201

1	3111 257 57281	Cabinet 25"
2	3111 254 25071	Rear Cover 25"
3	2422 264 00401	Loudspeaker 16Ω 5W
4	3111 250 00731	Wordmark Philips
5+6	4822 505 11195	CRT Fixing screw
7	4822 403 70906	Corner coil bracket
8	2422 549 44253	Degaussing coil 25"
9	4822 380 10251	Light guide
10	3139 137 96621	Mains knob
11	3139 137 96611	Control knob
12	Not applicable	
13	3139 124 30871	Chassis guide right
13	3139 124 30881	Chassis guide left
14	4822 401 11765	Coil & EHT clamp
15	3119 107 05061	Clock lens
15	3119 104 27691	Clock lens
16a*	3139 124 30571	No system card cap
16b*	3119 104 28131	No system card cap
17	3119 107 17651	EPS bracket
	4822 131 11184	Picture tube A59EAK071X11
	4822 321 11499	Mains cord EU
	4822 321 11493	Mains cord UK

*a 25HT5404/01Z/05Z
*b 25HT5404/21R/25R

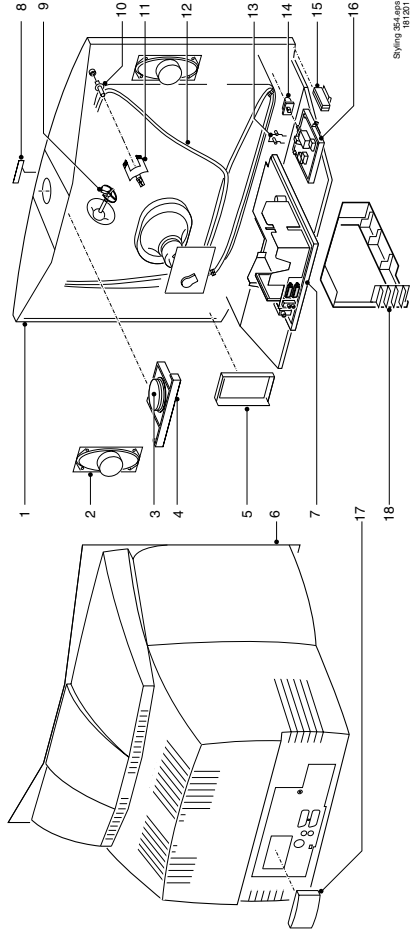
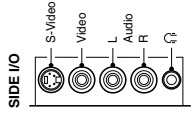
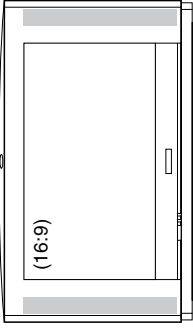
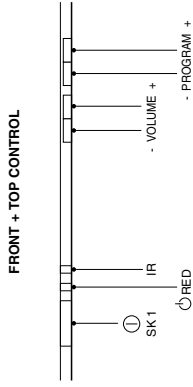
STYLING 353



Styling 353 parts list

1	3119 107 05142	Cabinet 28"
2	3111 254 25081	Rear cover
3	3111 250 00201	Wordmark
4	3139 124 38211	Mains harmonic bracket
5	3119 107 17651	EPS bracket
6	4822 505 11195	CRT fixing screw
7	4822 403 70906	Corner coil bracket
8	3139 137 90651	Mains knob
9	4822 157 11762	Degaussing coil 28"
10	3139 124 37111	Light guide
11	3139 137 90661	Control knob
12	3139 124 30571	No system card cap
13	4822 404 31291	Mains cord relief
14	2422 264 00398	Loudspeaker 16Ω 5W
15	3139 124 30881	Chassis guide
16	4822 401 11765	Coil & EHT clamp
	4822 131 11045	Picture tube A66EAK071X11
	4822 321 11499	Mains cord EU
	4822 321 11493	Mains cord UK

STYLING 354

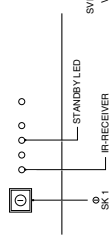


Styling 354 parts list

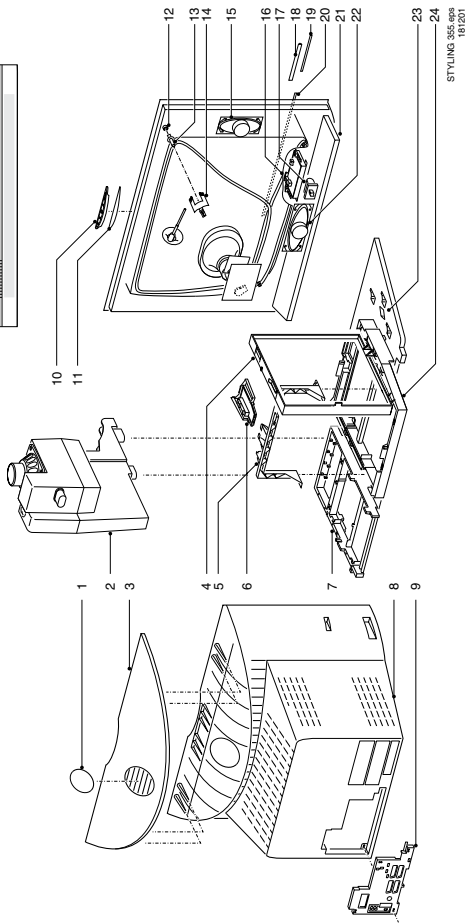
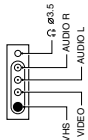
1	3111 257 57821	Cabinet
2	2422 264 00409	Loudspeaker 8Ω 5W
3	3139 137 66921	Top control button
4	3139 124 30381	Top control bracket
5	3139 124 37661	Side AV bracket
6	3111 254 25101	Rear cover
7	3139 124 33541	Chassis tray
8	3111 250 00731	Wordmark Philips
9	4822 401 11765	Coil & EHT clamp
10	4822 502 14602	CRT fixing screw
11	4822 403 70906	Corner coil bracket
12	4822 157 11758	Degaussing coil 28"
13	3139 124 31631	Light guide
14	3139 124 32511	Mains knob
15	3139 124 33011	Mains knob shaft
16	4822 404 31291	Mains cord relief
17	3139 124 32521	Front interface bracket
18	3139 124 38211	Mains harmonic bracket
	3139 124 30571	No system card cap
	3119 107 17651	EPS bracket
	4822 321 11499	Mains cord EU
	4822 321 11493	Mains cord UK
	4822 131 11345	Picture tube W66ECK001X14

STYLING 355

FRONT CONTROL



SIDE I/O

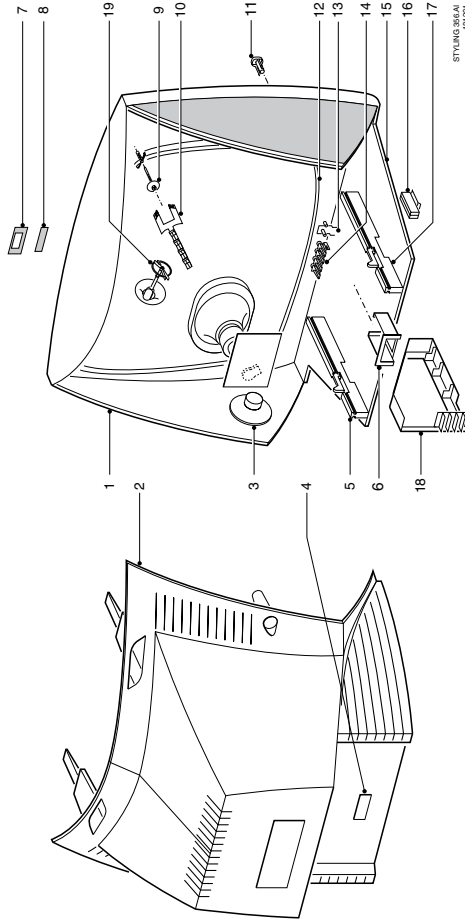
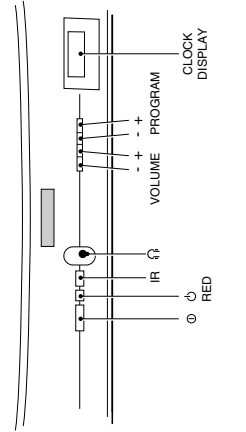


1	3104 304 24021	Cover 28"	21	3104 328 12271	Cabinet 28"	21	3111 257 57271	Cabinet
1	3104 307 99141	Cover 32"	21	3104 328 12261	Cabinet 32"	2ab*	3111 254 25051	Rear cover
1	3104 304 24011	Cover 36"	22	3104 328 12251	Cabinet 36"	2c*	3111 254 25061	Rear cover
2	4822 445 10634	Subwoofer box	22	2422 264 00431	Loudspeaker (1x)	3	2422 264 00398	Loudspeaker 16Ω 5W
3	3104 307 98631	Top cover 28"	23	3104 304 23491	Bottom plate	4	3139 137 69151	No card system cap
3	3104 307 98641	Top cover 32"	24	3104 304 19583	Frame for LSP	5	3139 124 36231	Chassis guide left
3	3104 307 98651	Top cover 36"		3104 300 12121	Matchline emblem	6	Not applicable	Not applicable
4	3104 304 20264	Frame for supply panel		3104 300 12231	Philips emblem 28"	7a*	3111 254 24971	Lens for clock display
4	3104 304 20264	Frame for supply panel		3104 300 12241	Philips emblem 36"	7b*	3119 107 05181	Lens for clock display
6	3104 304 23481	Bracket side I/O		3104 304 21031	Module support bracket on SSP	7c*	3119 107 17511	Lens for clock display
7	3104 304 22851	Frame for SSP		3104 304 20301	Bracket for rotation coil	8	3111 250 00641	Word mark
8	3104 307 97541	Rear cover 28"		2322 460 91641	DAF potmeter 32"/36"	9	4822 502 14508	CRT fixing screw
8	3104 307 97531	Rear cover 32"		2422 549 44621	Degaussing coil 28"	19	4822 401 11765	Coil & ET clamp
8	3104 307 97521	Rear cover 36"		8204 000 74951	Degaussing coil 32"	10	4822 404 30945	Degaussing coil bracket
9a*	3104 307 98281	Cover plate		2422 549 44242	Degaussing coil 36"	11	3139 137 76451	Mains knob
9b*	3104 307 98271	Cover plate		3128 138 60651	Rotation coil	12	242254944669	Degaussing coil 21"
10	3104 307 98241	Keypad assy		9301 852 40306	Picture tube W66ERF041X44	13	3139 124 32301	Light guide
11	3104 304 23431	Bottom top control		9322 173 93682	Picture tube W76EKW10X73	14	3139 137 76461	Control knob
12	4822 404 31294	Insert VP19100		3104 300 50301	Picture tube W66LPX955X	15	3139 124 33291	Plate VO
13	4822 505 11195	Picture tube screw 28"		3128 147 13651	Mains cord	16	4822 404 31291	Main cord holder
13	4822 502 21359	Picture tube screw		4622 007 51852	Mains cord -/05	17	3139 124 34091	Chassis guide right
14	4822 403 70906	Bracket fix degaussing coil (4x) 28"		3104 130 01801	Set surround sound boxes -/58	18c*	3119 107 17651	EPS Bracket
14	3104 304 21091	Bracket fix degaussing coil (4x)		3104 130 01811	Set surround sound boxes -/58		4822 321 11499	Mains cord EU
15	2422 264 00429	Loudspeaker (2x)		3104 130 01821	Set surround sound boxes -/05		4822 321 11493	Mains cord UK
16	3104 304 23471	Bracket mains unit					4822 131 11105	Picture Tube 21" A51EAL-155X47
17	3104 307 97621	Mains knob						
18	3104 304 23461	Light guide						
19	3104 304 23651	Deco strip left 28"						
19	3104 304 23621	Deco strip left 32"						
19	3104 304 23591	Deco strip left 36"						
20	3104 304 23661	Deco strip right 28"						
20	3104 304 23631	Deco strip right 32"						
20	3104 304 23601	Deco strip right 36"						

*a

*b

STYLING 356



1	3111 257 57271	Cabinet
2ab*	3111 254 25051	Rear cover
2c*	3111 254 25061	Rear cover
3	2422 264 00398	Loudspeaker 16Ω 5W
4	3139 137 69151	No card system cap
5	3139 124 36231	Chassis guide left
6	Not applicable	Not applicable
7a*	3111 254 24971	Lens for clock display
7b*	3119 107 05181	Lens for clock display
7c*	3119 107 17511	Lens for clock display
8	3111 250 00641	Word mark
9	4822 502 14508	CRT fixing screw
19	4822 401 11765	Coil & ET clamp
10	4822 404 30945	Degaussing coil bracket
11	3139 137 76451	Mains knob
12	242254944669	Degaussing coil 21"
13	3139 124 32301	Light guide
14	3139 137 76461	Control knob
15	3139 124 33291	Plate VO
16	4822 404 31291	Main cord holder
17	3139 124 34091	Chassis guide right
18c*	3119 107 17651	EPS Bracket
	4822 321 11499	Mains cord EU
	4822 321 11493	Mains cord UK
	4822 131 11105	Picture Tube 21" A51EAL-155X47

*a

*b

*c

